

SHOULDER-LAUNCHED MUNITIONS



JANUARY 2006

**HEADQUARTERS
DEPARTMENT OF THE ARMY**

This page intentionally left blank.

SHOULDER-LAUNCHED MUNITIONS

Contents

	Page
PREFACE	viii
Chapter 1 INTRODUCTION	1-1
TYPES OF SHOULDER-LAUNCHED MUNITIONS	1-1
CARE AND HANDLING	1-2
DESTRUCTION PROCEDURES (COMBAT ONLY)	1-2
DECONTAMINATION PROCEDURES	1-4
OPERATING TEMPERATURES	1-4
Chapter 2 M136 AT4 OPERATION AND FUNCTION	2-1
DESCRIPTION	2-1
TECHNICAL DATA	2-2
AMMUNITION	2-2
INSPECTION.....	2-4
FIRING MECHANISM, SAFETIES, AND WEAPON FUNCTION	2-5
SIGHTS	2-6
OPERATION.....	2-8
MISFIRE PROCEDURES	2-11
RESTORATION TO CARRYING CONFIGURATION	2-13
Chapter 3 MARKSMANSHIP FUNDAMENTALS, M136 AT4	3-1
AIMING PROCEDURES	3-2
BREATH CONTROL.....	3-4
TRIGGER MANIPULATION	3-4
INTEGRATED ACT OF SHOOTING	3-5
Chapter 4 FIRING POSITIONS	4-1
STANDING POSITION	4-1
KNEELING POSITION	4-3
SITTING POSITION	4-5
PRONE POSITION (FOR USE IN COMBAT ONLY).....	4-6

DISTRIBUTION RESTRICTION: Approved for public release; distribution is unlimited.

***This publication supersedes FM 3-23.25, 30 August 2001.**

	AMMUNITION	5-2
	DESCRIPTION IMPROVED M72 LIGHT ANTIARMOR WEAPON.....	5-3
	INSPECTION	5-6
	FIRING MECHANISM.....	5-6
	SIGHTS	5-8
	OPERATION AND FUNCTION	5-12
	MISFIRE PROCEDURES	5-14
	RESTORATION TO CARRYING CONFIGURATION	5-15
	MARKSMANSHIP FUNDAMENTALS	5-16
	M72A4/5/6/7 SIGHTS	5-20
	INTEGRATED ACT OF SHOOTING.....	5-21
	FIRING POSITIONS	5-21
Chapter 6	ROCKET AND LAUNCHER ASSEMBLY, M141 BUNKER DEFEAT MUNITION	6-1
	DESCRIPTION.....	6-1
	AMMUNITION.....	6-4
	INSPECTION	6-5
	WEAPON LABELS AND MARKINGS.....	6-6
	SIGHTS	6-7
	OPERATION AND FUNCTION	6-11
	MISFIRE PROCEDURES	6-13
	RETURNING THE M141 BDM TO THE CARRY MODE.....	6-14
	MARKSMANSHIP FUNDAMENTALS	6-15
	INTEGRATED ACT OF SHOOTING.....	6-16
	FIRING POSITIONS	6-16
Chapter 7	COMBAT TECHNIQUES.....	7-1
	RANGE ESTIMATION.....	7-1
	SPEED ESTIMATION	7-1
	ARMORED VEHICLE WEAKNESSES.....	7-2
	METHODS OF ENGAGEMENT	7-4
	ENGAGEMENT OF OTHER VEHICLES.....	7-7
	ENGAGEMENT OF FIELD FORTIFICATIONS AND BUILDINGS	7-7
	LIMITED VISIBILITY ENGAGEMENTS USING 7-mm PEEP SIGHT.....	7-8
	ENGAGEMENT IN CHEMICAL, BIOLOGICAL, RADIOLOGICAL, AND NUCLEAR CONDITIONS	7-9
	ENGAGEMENT FROM AN ENCLOSURE	7-9
	ENGAGEMENT BEYOND MAXIMUM EFFECTIVE RANGE (M136 AT4 ONLY)	7-10
	OFFENSIVE OPERATIONS	7-10
	DEFENSIVE OPERATIONS	7-11
	OTHER TACTICAL OPERATIONS	7-11
Chapter 8	TRAIN-THE-TRAINER AND UNIT TRAINING PROGRAMS	8-1
	TRAINING STRATEGY.....	8-1
	UNIT TRAINING PROGRAM.....	8-2
	TRAIN-THE-TRAINER PROGRAM.....	8-4
Appendix A	SAFETY	A-1
Appendix B	TRAINING DEVICES AND AIDS	B-1

Appendix C	PERFORMANCE EVALUATIONS	C-1
Appendix D	SUGGESTED DESIGN FOR COMBINED SHOULDER-LAUNCHED MUNITION RANGE.....	D-1
Appendix E	INSTRUCTIONAL AND QUALIFICATION FIRING TABLES AND EXAMPLE SCORECARDS.....	E-1
Appendix F	INFRARED LASER AIMING DEVICES.....	F-1
	GLOSSARY	Glossary-1
	REFERENCES	References-1
	INDEX.....	Index-1

Figures

Figure 1-1. M72A2/A3 light antiarmor weapon.....	1-1
Figure 1-2. M136 AT4 light antiarmor weapon.....	1-2
Figure 1-3. M141 BDM.	1-2
Figure 2-1. M136 AT4 launcher and HEAT cartridge.	2-1
Figure 2-2. 84-millimeter HEAT cartridge.	2-2
Figure 2-3. Effects of M136 AT4 warhead.	2-3
Figure 2-4. Ammunition packaging and markings.	2-3
Figure 2-5. Location of color-coded band.	2-4
Figure 2-6. Inspection.....	2-5
Figure 2-7. Firing mechanism and transport safety pin.....	2-5
Figure 2-8. Cocking lever.	2-6
Figure 2-9. Forward safety.....	2-6
Figure 2-10. Sights.	2-7
Figure 2-11. Adjusting the rear sight range setting.....	2-8
Figure 2-12. Cradle position.	2-9
Figure 2-13. Removing the transport safety pin.....	2-9
Figure 2-14. Unsnapping the shoulder stop.	2-10
Figure 2-15. Opening and adjusting the sights.	2-10
Figure 2-16. Cocking the launcher.	2-11
Figure 2-17. Firing the launcher.	2-11
Figure 3-1. Steady hold position.....	3-1
Figure 3-2. Eye placement.	3-2
Figure 3-3. Sight alignment for the M136 AT4.....	3-3
Figure 3-4. Sight picture, stationary targets.	3-3
Figure 3-5. Sight picture, slow-moving targets.....	3-4
Figure 3-6. Sight picture, fast-moving targets.	3-4
Figure 3-7. Trigger manipulation.	3-5
Figure 4-1. Basic standing position.	4-2
Figure 4-2. Modified standing position.	4-3

Figure 4-3. Basic kneeling position.....	4-4
Figure 4-4. Modified kneeling position.....	4-4
Figure 4-5. Basic sitting position.....	4-5
Figure 4-6. Modified sitting position.....	4-5
Figure 4-7. Prone position.....	4-6
Figure 5-1. The M72A2 or M72A3 LAW.....	5-1
Figure 5-2. High-explosive antiarmor rocket (ammunition).....	5-3
Figure 5-3. Improved M72.....	5-3
Figure 5-4. 66-mm HEAT rocket warhead.....	5-4
Figure 5-5. Effects of M72-series LAW warhead.....	5-5
Figure 5-6. Packaging for M72-series LAW.....	5-5
Figure 5-7. Launcher data plate.....	5-6
Figure 5-8. Firing mechanism.....	5-7
Figure 5-9. Trigger arming handle.....	5-7
Figure 5-10. Firing pin, primer, and propellant charge.....	5-8
Figure 5-11. Front sight, M72A2 and M72A3 LAWs.....	5-9
Figure 5-12. Rear sight, M72A2 and M72A3 LAWs.....	5-9
Figure 5-13. Installing M72A1 mounting bracket assembly.....	5-10
Figure 5-14. M72A1 reticle.....	5-11
Figure 5-15. Using M72A1 stadia lines to engage targets.....	5-11
Figure 5-16. M72A1 alignment target for the AN/PVS-4.....	5-12
Figure 5-17. Removing the pull pin.....	5-13
Figure 5-18. Removing the front cover and the adjustable sling assembly.....	5-13
Figure 5-19. Extending the launcher.....	5-13
Figure 5-20. Ensuring launcher is locked in the extended position.....	5-14
Figure 5-21. Firing the launcher.....	5-14
Figure 5-22. Steady hold position.....	5-16
Figure 5-23. Eye placement.....	5-17
Figure 5-24. Sight alignment.....	5-17
Figure 5-25. Sight picture, stationary targets.....	5-18
Figure 5-26. Sight picture, slow-moving targets.....	5-18
Figure 5-27. Sight picture, fast-moving targets.....	5-19
Figure 5-28. Trigger manipulation.....	5-19
Figure 5-29. Front sight, M72A4/5/6/7.....	5-20
Figure 5-30. Rear sight, M72A4/5/6/7.....	5-20
Figure 5-31. Basic standing position.....	5-22
Figure 5-32. Modified standing position.....	5-23
Figure 5-33. Basic kneeling position.....	5-23
Figure 5-34. Modified kneeling position.....	5-24
Figure 5-35. Basic sitting position.....	5-24
Figure 5-36. Modified sitting position.....	5-25

Figure 5-37. Prone position for M72A2/A3..... 5-26

Figure 5-38. Prone position for the M72A4/5/6/7..... 5-26

Figure 6-1. The M141 BDM..... 6-1

Figure 6-2. M141 BDM profile and components (top, right hand extended view;
bottom, left hand extended view)..... 6-2

Figure 6-3. The 83-mm high-explosive, dual-mode rocket..... 6-3

Figure 6-4. Dual-mode rocket components..... 6-4

Figure 6-5. Packaging and pallet details..... 6-5

Figure 6-6. Inspection points..... 6-6

Figure 6-7. Weapon labels and markings..... 6-6

Figure 6-8. Firing mechanism label details..... 6-7

Figure 6-9. Rear sight..... 6-7

Figure 6-10. Aiming techniques..... 6-8

Figure 6-11. AN/PVS-4 nightsight mounting screws..... 6-9

Figure 6-12. AN/PAQ-4A mounting screw..... 6-9

Figure 6-13. AN/PAQ-4B and 4C mounting screws..... 6-10

Figure 6-14. Launcher tube extension procedures..... 6-11

Figure 6-15. Locking the inner tube..... 6-11

Figure 6-16. Deploy sights and arm firing mechanism..... 6-12

Figure 6-17. Sequence of firing events..... 6-13

Figure 6-18. Carry positions..... 6-14

Figure 6-19. Prone firing position..... 6-17

Figure 7-1. Speed estimation..... 7-2

Figure 7-2. Armored vehicle weak points..... 7-3

Figure 7-3. Limited visibility of armored vehicles..... 7-4

Figure 7-4. Single firing..... 7-5

Figure 7-5. Sequence firing..... 7-5

Figure 7-6. Pair firing..... 7-6

Figure 7-7. Volley firing..... 7-7

Figure 7-8. Squad sector sketch..... 7-11

Figure 7-9. Antiarmor ambushes..... 7-12

Figure A-1. M136 AT4 backblast danger area..... A-2

Figure A-2. SDZ for firing M136 AT4..... A-3

Figure A-3. SDZ, area F, for firing M136 AT4..... A-4

Figure A-4. M72A2 and M72A3 LAW backblast area..... A-6

Figure A-5. M72A4/A5/A6/A7 light antiarmor weapons backblast area..... A-6

Figure A-6. SDZ for firing M72A4/A5/A6/A7 light antiarmor weapon..... A-7

Figure A-7. M141 BDM backblast and ear protection caution area..... A-8

Figure A-8. SDZ for firing M141 BDM..... A-9

Figure A-9. M72AS backblast danger area..... A-11

Figure B-1. LAW subcaliber trainer..... B-1

Figure B-2. M190 subcaliber conversion kit..... B-2

Figure B-3. Loading the LAW subcaliber launcher. B-4

Figure B-4. The M72AS trainer launcher and 21-mm M72AS trainer rocket..... B-5

Figure B-5. Basic issue items. B-6

Figure B-6. Front and rear sights. B-7

Figure B-7. Loading the M72AS trainer rocket. B-9

Figure B-8. Unloading unexpended M72AS trainer rocket. B-10

Figure B-9. Using GTA 7-2-5 with target silhouette sheet and front sight template..... B-11

Figure B-10. M287 subcaliber tracer trainer. B-12

Figure B-11. M287 barrel assembly and components. B-13

Figure B-12. Replaceable parts for the M287 tracer trainer. B-13

Figure B-13. M939, 9-mm tracer cartridge..... B-14

Figure B-14. Inserting the bolt with the cartridge into the breech of the M287 tracer
trainer..... B-16

Figure B-15. Tracer trainer bolt in the safe position (“S”). B-16

Figure B-16. Tracer trainer armed (firing position “F”). B-16

Figure B-17. Unloading the tracer trainer..... B-17

Figure B-18. M141 BDM field handling trainer..... B-18

Figure D-1. Firing line. D-1

Figure D-2. Target array. D-2

Figure E-1. Example completed DA Form 7323-R. E-2

Figure E-2. Example completed DA Form 7324-R (front)..... E-4

Figure E-3. Example completed DA Form 7324-R (back). E-5

Figure F-1. AN/PAQ-4C, aiming light..... F-2

Figure F-2. M136 AT4 installation (mounting bracket). F-3

Figure F-3. M136 AT4 installation (locking latch and shaft). F-3

Figure F-4. Bracket adapter..... F-4

Figure F-5. Attaching bracket adapter to aiming light..... F-4

Figure F-6. AN/PEQ-2A with accessories..... F-5

Figure F-7. AN/PEQ-2A battery installation..... F-6

Figure F-8. Safety block installation..... F-7

Figure F-9. Operation of the button switch. F-8

Figure F-10. Installation of the cable switch. F-8

Figure F-11. Using the focus knob..... F-9

Figure F-12. Installing the lens caps..... F-9

Figure F-13. Boresight adjusters. F-10

Figure F-14. AN/PAS-13A (V2) MWTS..... F-10

Figure F-15. MWTS..... F-11

Figure F-16. TWS configurations..... F-11

Figure F-17. TWS controls and indicators. F-13

Figure F-18. TWS display. F-14

Figure F-19. MWTS reticles..... F-14

Figure F-20. M136 aim point..... F-15

Tables

Table 1-1. Destruction procedures for shoulder-launched munitions.	1-3
Table 7-1. Armored vehicle kills.	7-4
Table 7-2. Effects of the M136 AT4 and M72-series LAW on field fortifications or bunkers.	7-8
Table 8-1. Institutional training.	8-1
Table 8-2. Sustainment training plan for shoulder-launched munitions.	8-2
Table 8-3. Training requirements.	8-3
Table 8-4. Example training frequency chart.	8-3
Table 8-5. MILES training program.	8-4
Table A-1. M136 AT4 SDZ criteria in meters.	A-3
Table A-2. M136 AT4 daily individual training firing limitations.	A-5
Table A-3. M141 BDM daily individual training firing restrictions.	A-10
Table B-1. Function check, M287 tracer trainer.	B-15
Table E-1. Firing tables for light antiarmor weapons.	E-1
Table E-2. Instructional day firing tables for the M72-series LAW.	E-3
Table E-3. Instructional night firing table for the M72-series LAW.	E-3
Table E-4. Instructional firing tables for the M136 AT4.	E-6
Table E-4. Instructional firing tables for the M136 AT4 (continued).	E-7
Table E-5. Qualification firing tables for the M136 AT4.	E-7
Table E-6. Advanced instructional firing table for the M136 AT4.	E-8
Table F-1. Mode selector positions.	F-7

Preface

This manual provides technical information and training and combat techniques for shoulder-launched munitions. Intended users include leaders and designated Soldiers who will use this information to successfully integrate shoulder-launched munitions into combat operations. This manual discusses gunnery training and the train-the-trainer program.

The tactical positions shown in this manual were drawn to enhance the reader's understanding of related subject systems and do not necessarily represent the best employment option for that system.

This publication applies to the Active Army, the Army National Guard (ARNG)/Army National Guard of the United States (ARNGUS), and the United States Army Reserve (USAR).

The proponent of this publication is the U.S. Army Training and Doctrine Command. The preparing agency is the U.S. Army Infantry School. Send comments and recommendations to doctrine@benning.army.mil, or on DA Form 2028 (Recommended Changes to Publications and Blank Forms) directly to Commandant, U.S. Army Infantry School, ATTN: ATSH-IN-S3, Fort Benning, GA 31905-5593.

Unless this publication states otherwise, masculine nouns and pronouns do not refer exclusively to men.

Blank DA Form 7323-R (M72-Series Law Scorecard) and DA Form 7324-R (M136 AT4 Scorecard) are available in the back of this manual for local reproduction.

Chapter 1

INTRODUCTION

Shoulder-launched munitions are used against light armored vehicles, field fortifications, or other similar targets. These weapons are issued as rounds of ammunition to individual Soldiers in addition to their assigned weapons and the unit's organic antiarmor weapons. Shoulder-launched munitions can withstand extreme weather and environmental conditions including arctic, tropical, and desert. This chapter provides information common to the weapons discussed in this manual to include care and handling, destruction and decontamination procedures, and operating temperatures.

TYPES OF SHOULDER-LAUNCHED MUNITIONS

1-1. Shoulder-launched munitions include the M136 AT4 light antiarmor weapon, the M72-series light antiarmor weapon (LAW), improved M72-series LAW, and the M141 bunker defeat munition (BDM) (a shoulder-launched, multipurpose assault weapon-disposable [SMAW-D]). The M72-series LAW (M72A2 and M72A3) was introduced in the early 1960s for use against light tanks of that era (Figure 1-1). More recent and improved versions of the M72-series LAWs were produced in the 1990s and include the M72A4, M72A5, M72A6, and M72A7 (Chapter 5). The M136 AT4 was designed in the late 1980s for use against the improved armor of light armored vehicles (Figure 1-2, page 1-2), and the M141 BDM was developed in the early 1990s primarily to use against bunkers (Figure 1-3, page 1-2).

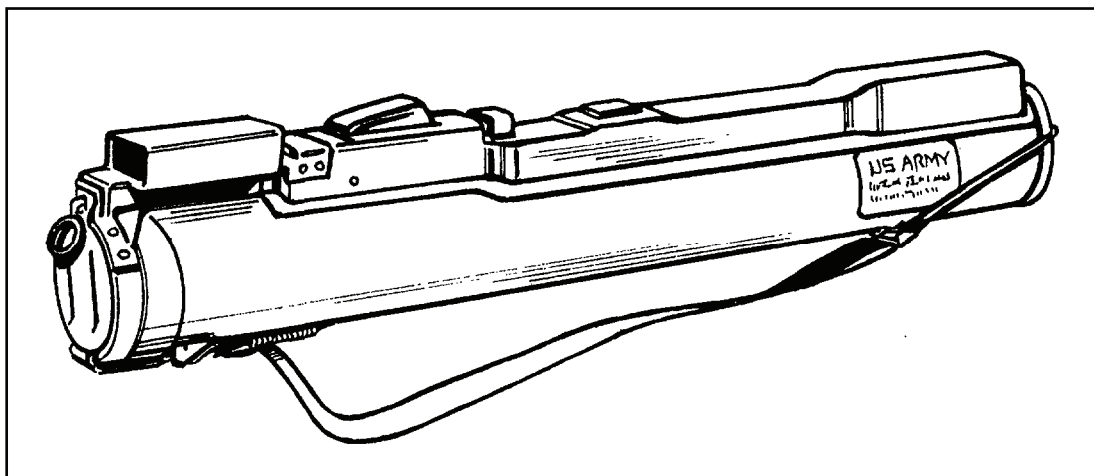


Figure 1-1. M72A2/A3 light antiarmor weapon.

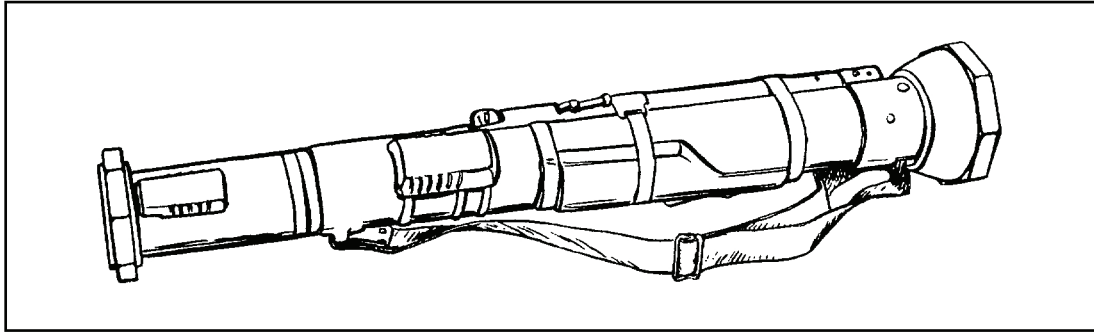


Figure 1-2. M136 AT4 light antiarmor weapon.

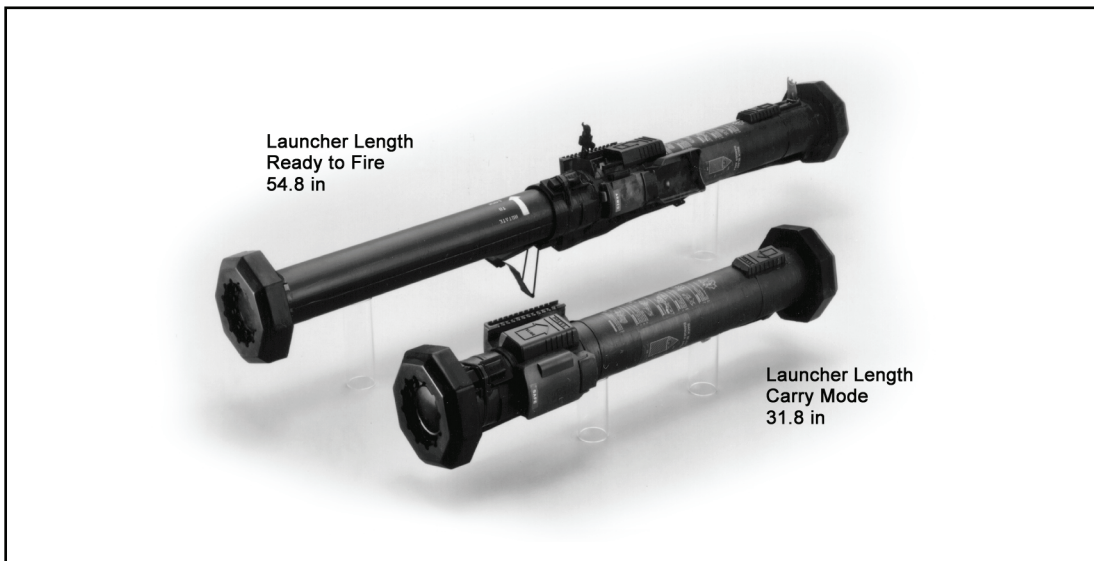


Figure 1-3. M141 BDM.

CARE AND HANDLING

1-2. Shoulder-launched munitions are issued as rounds of ammunition. The only requirement for their care is a visual inspection; this information is outlined in the appropriate chapter for each weapon (Chapter 2 for the M136 AT4, Chapter 5 for the M72-series LAW and improved M72 light antiarmor weapon, and Chapter 6 for the M141 BDM).

DESTRUCTION PROCEDURES (COMBAT ONLY)

1-3. In combat, live and expended shoulder-launched munitions are destroyed only to prevent their capture or use by the enemy and, even then, only on order. For such an order to be given, the weapons must be so badly damaged that neither repairs nor cannibalization can restore them to usable condition (FM 5-25). Table 1-1 provides destruction procedures for live and expended shoulder-launched munitions; Appendix A discusses safety precautions to follow when destroying them.