

**HEADQUARTERS
DEPARTMENT OF THE ARMY**

FM 3-23.35 (FM 23-35)

COMBAT TRAINING WITH PISTOLS, M9 AND M11

JUNE 2003

DISTRIBUTION RESTRICTION: Approved for public release; distribution is unlimited.

This page intentionally left blank.

Change 4

Headquarters
Department of the Army
Washington, DC, 12 August 2008

Combat Training with Pistols, M9 and M11

1. Change FM 3-23.35, 25 June 2003; Change 1, 5 September 2005; Change 2, 18 April 2007; and Change 3, 15 May 2008 as follows:

Remove old pages:

Insert new pages:

A-1 through A-2A-1 through A-2
B-1 through B-2B-1 through B-2

2. A star (*) marks new or changed material.
3. File this transmittal sheet in front of the publication.
4. DISTRIBUTION RESTRICTION: Approved for public release; distribution is unlimited.

FM 3-23.35
C4
12 August 2008

By Order of the Secretary of the Army:

GEORGE W. CASEY, Jr.
*General, United States
Army Chief of Staff*

Official:



JOYCE E. MORROW
*Administrative Assistant to
the Secretary of the Army*
0820408

DISTRIBUTION: *Active Army, Army National Guard, and U.S. Army Reserve:* To be distributed in accordance with the initial distribution number 110200, requirements for FM 3-23.35.

Change 3

Headquarters
Department of the Army
Washington, DC, 15 May 2008

Combat Training with Pistols, M9 and M11

1. Change FM 3-23.35, 25 June 2003; Change 1, 5 September 2005; and Change 2, 18 April 2007 as follows:

Remove old pages:

Insert new pages:

iii	iii
1-9 through 1-10	1-9 through 1-10
A-1 through A-2	A-1 through A-2
Appendix B	Appendix B
DA Form 5704-R	DA Form 5704-R

2. A star (*) marks new or changed material.
3. File this transmittal sheet in front of the publication.
4. **DISTRIBUTION RESTRICTION:** Approved for public release; distribution is unlimited.

By Order of the Secretary of the Army:

GEORGE W. CASEY, Jr.
*General, United States
Army Chief of Staff*

Official:



JOYCE E. MORROW
*Administrative Assistant to
the Secretary of the Army
0811501*

5. **DISTRIBUTION:** Active Army, USAR, and ARNG: Distribute in accordance with initial distribution number 110200, requirements for FM 3-23.35.

This page intentionally left blank.

Change 2
Field Manual
No. 3-23.35

Headquarters
Department of the Army
Washington, DC, 18 April 2007

Combat Training with Pistols, M9 and M11

1. Change FM 3-23.35, 25 June 2003, as follows:

Remove old pages:

Insert new pages:

i through iii	i through iii
Chapter 1	Chapter 1
Appendix A	Appendix A
Appendix B	Appendix B
DA Form 88-R.....	DA Form 88-R
DA Form 5704-R	DA Form 5704-R

2. A star (*) marks new or changed material.
3. File this transmittal sheet in front of the publication.

DISTRIBUTION RESTRICTION: Approved for public release; distribution is unlimited.

By order of the Secretary of the Army:

GEORGE W. CASEY, JR.
General, United States Army
Chief of Staff

Official:



JOYCE E. MORROW
Administrative Assistant to the
Secretary of the Army
0708703

DISTRIBUTION: Regular Army, Army National Guard, and U.S. Army Reserve: To be distributed in accordance with initial distribution number 110200, requirements for FM 3-23.35.

Change 1

Headquarters
Department of the Army
Washington, DC, 5 September 2005

Combat Training with Pistols, M9 and M11

1. Change FM 3-23.35, 25 June 2003, as follows:

Remove old pages:

Insert new pages:

i through iii	i through iii
2-23 through 2-24.....	2-23 through 2-24
A-1 through A-7	A-1 through A-9
B-1 through B-6	B-1 through B-6
Glossary-1.....	Glossary-1
None	DA Form 88-R
None	DA Form 5704-R

2. A star (*) marks new or changed material.
3. File this transmittal sheet in front of the publication.

DISTRIBUTION RESTRICTION: Approved for public release; distribution is unlimited.

By Order of the Secretary of the Army:

PETER J. SCHOOMAKER
Major General, United States
Army
Chief of Staff



Official: **SANDRA R. RILEY**
Administrative Assistant to the
Secretary of the Army
0523408

DISTRIBUTION:

Active Army, USAR, and ARNG: To be distributed in accordance with initial distribution number 110200, requirements for FM 3-23.35, Combat Training with Pistols, M9 and M11.

This page intentionally left blank.

COMBAT TRAINING WITH PISTOLS M9 AND M11

CONTENTS

	Page
*PREFACE	iii
*CHAPTER 1. COMPONENTS AND FUNCTIONING	
Section I. Description and Components	1-1
1-1. Description.....	1-2
1-2. Components	1-3
1-3. Ammunition.....	1-4
Section II. Maintenance	1-6
1-4. Clearing Procedures, Both Pistols.....	1-6
1-5. General Disassembly of M9 Pistol.....	1-6
1-6. General Disassembly of M11 Pistol.....	1-7
1-7. Inspection	1-7
1-8. Cleaning, Lubrication, and Preventive Maintenance	1-7
1-9. M9 General Assembly	1-8
1-10. M11 General Assembly	1-8
1-11. M9 Safety and Function Check	1-9
1-12. M11 Safety and Function Check	1-9
Section III. Operation and Function	1-10
1-13. Loading of the M9 Pistol	1-10
1-14. Loading of the M11 Pistol	1-11
1-15. Unloading and Clearing of the M9 Pistol	1-11
1-16. Unloading of the M11 Pistol.....	1-11
1-17. Cycle of Operation.....	1-11
Section IV. Performance Problems	1-12
1-18. Sluggish Operation	1-12
1-19. Stoppages.....	1-12
1-20. Immediate Action.....	1-12
1-21. Remedial Action.....	1-13
CHAPTER 2. PISTOL MARKSMANSHIP TRAINING	
Section I. Basic Pistol Marksmanship	2-1
2-1. Grip	2-1
2-2. Aiming.....	2-5
2-3. Breath Control.....	2-6
2-4. Trigger Squeeze	2-6
2-5. Target Engagement.....	2-7
2-6. Positions	2-8
Section II. Combat Marksmanship	2-14
2-7. Techniques of Firing	2-14
2-8. Target Engagement.....	2-15
2-9. Traversing.....	2-15

Distribution Restriction: Approved for public release. Distribution is unlimited.

*This publication supersedes FM 23-35, 10 October 1988.

	Page
2-10. Combat Reloading Techniques	2-21
2-11. Poor Visibility Firing	2-23
*2-12. Chemical, Biological, Radiological, and Nuclear Firing	2-23
Section III. Coaching and Training Aids	2-23
2-13. Coaching.....	2-23
2-14. Ball-and-Dummy Method	2-24
2-15. Calling the Shot	2-24
2-16. Slow-Fire Exercise.....	2-24
2-17. Air-Operated Pistol, .177 mm	2-25
2-18. Quick-Fire Target Training Device.....	2-25
2-19. Range Firing Courses.....	2-30
Section IV. Safety	2-30
2-20. Requirements	2-30
2-21. Before Firing	2-31
2-22. During Firing	2-31
2-23. After Firing	2-31
2-24. Instructional Practice and Record Qualification Firing.....	2-31
*APPENDIX A. COMBAT PISTOL QUALIFICATION COURSE	A-1
*APPENDIX B. ALTERNATE PISTOL QUALIFICATION COURSE	B-1
APPENDIX C. TRAINING SCHEDULES	C-1
*DA Form 88-R, <i>Combat Pistol Qualification Course Scorecard</i>	
*DA Form 5704-R, <i>Alternate Pistol Qualification Course Scorecard</i>	

PREFACE

*This publication applies to the Active Army, the Army National Guard (ARNG)/Army National Guard of the United States (ARNGUS), and the US Army Reserve (USAR) unless otherwise stated. It provides guidance on the operation and marksmanship of the M9, 9-mm pistol and the M11, 9-mm pistol. It reflects current Army standards in weapons qualification. It is a guide for the instructor to develop training programs, plans, and lessons that meet the objectives of the US Army Marksmanship program for developing combat-effective marksmen. The Soldier develops confidence, knowledge, and skills by following the guidelines in this manual.

Unless this publication states otherwise, masculine nouns and pronouns refer to either gender. Also, some of the uniforms illustrated in this manual are shown without camouflage for greater clarity.

*This publication prescribes DA Form 88-R, *Combat Pistol Qualification Course Scorecard*, and DA Form 5704-R, *Alternate Pistol Qualification Course Scorecard*.

*The proponent for this publication is the US Army Training and Doctrine Command (TRADOC). The preparing agency is the US Army Infantry School. You may send comments and recommendations by any means, US mail, e-mail, fax, or telephone, as long as you use or follow the format of DA Form 2028, *Recommended Changes to Publications and Blank Forms*. You may also phone for more information.

E-mail	229-DOC-LIT@conus.army.mil
Phone	COM (706) 545-8623 or DSN 835-8623
Fax	COM (706) 545-8600 or DSN 835-8600
US Mail	Cmdt, USAIS ATTN: ATSH-INB 6650 Wilkin Drive, Bldg 74, Rm 102 Fort Benning, GA 31905-5593

This page intentionally left blank.

CHAPTER 1 *
COMPONENTS AND FUNCTIONING

This chapter describes the M9 and M11 semiautomatic pistols, their maintenance requirements, and their operation and functioning.

Section I. DESCRIPTION AND COMPONENTS

The M9 (Figure 1-1) and M11 (Figure 1-2) pistols are 9-mm, semiautomatic, magazine-fed, recoil-operated, double-action weapons. Both are chambered for the 9-mm cartridge.

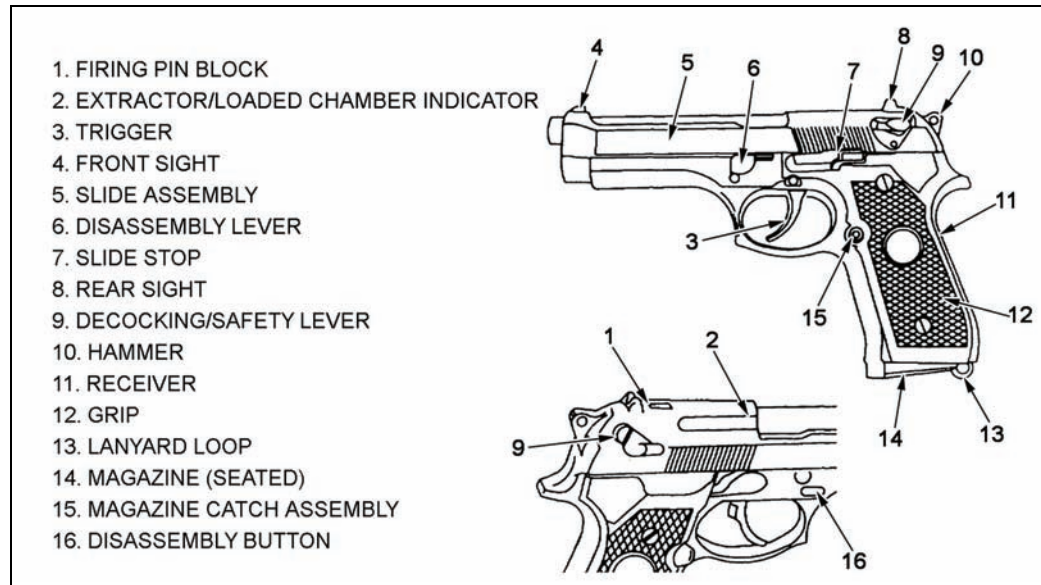


Figure 1-1. 9-mm pistol, M9.

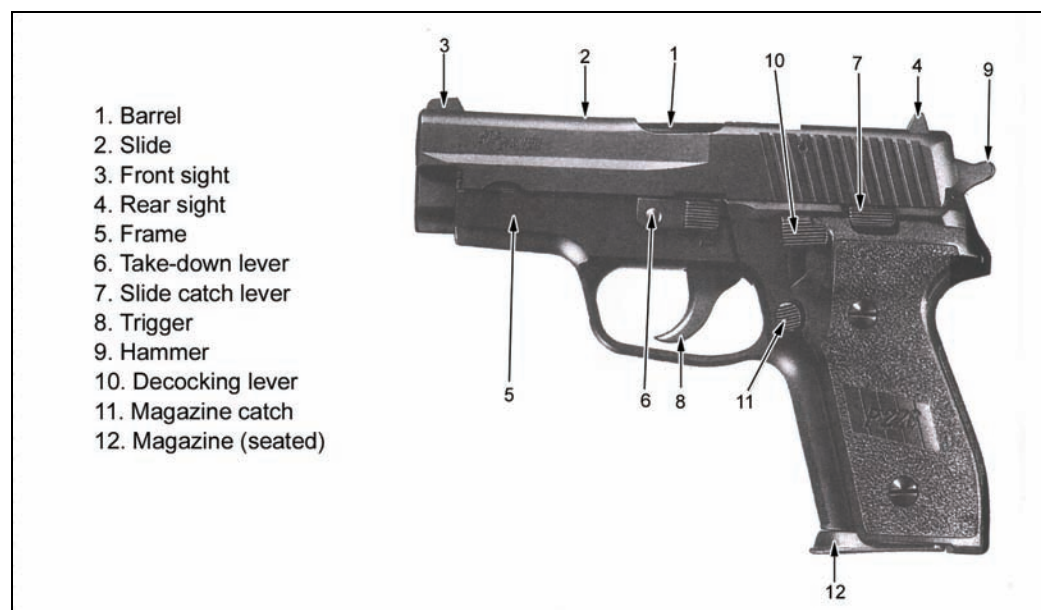


Figure 1-2. 9-mm pistol, M11.