

LUBRICATION

8 JANUARY 1971 (Supersedes LO 5-2410-227-12, dtd 16 March 1970)

ORDER

TRACTOR, FULL TRACKED; D E D; 9900 LB. DRAWBAR PULL,
 W/DOZER BLADE, BACK RIP SCARIFIER (J.I. CASE MODEL
 M-450) AND LOADER SCOOP-TYPE; W/FORK LIFT
 ATTACHMENT (J.I. CASE MODEL M-450-L)
 W/ENGINE CASE MODEL G188D

Reference: LO 5-2410-227-12-1 and C9100-IL

Intervals are based on normal hours of operation. Adjust to compensate for abnormal operation and severe conditions. During inactive periods, sufficient lubrication must be performed for adequate preservation.

Clean parts with SOLVENT, dry-cleaning, or with OIL, fuel, Diesel. Dry before lubricating.

Relubricate after washing.

Lubricate points indicated by dotted arrow shaft on both sides of equipment.

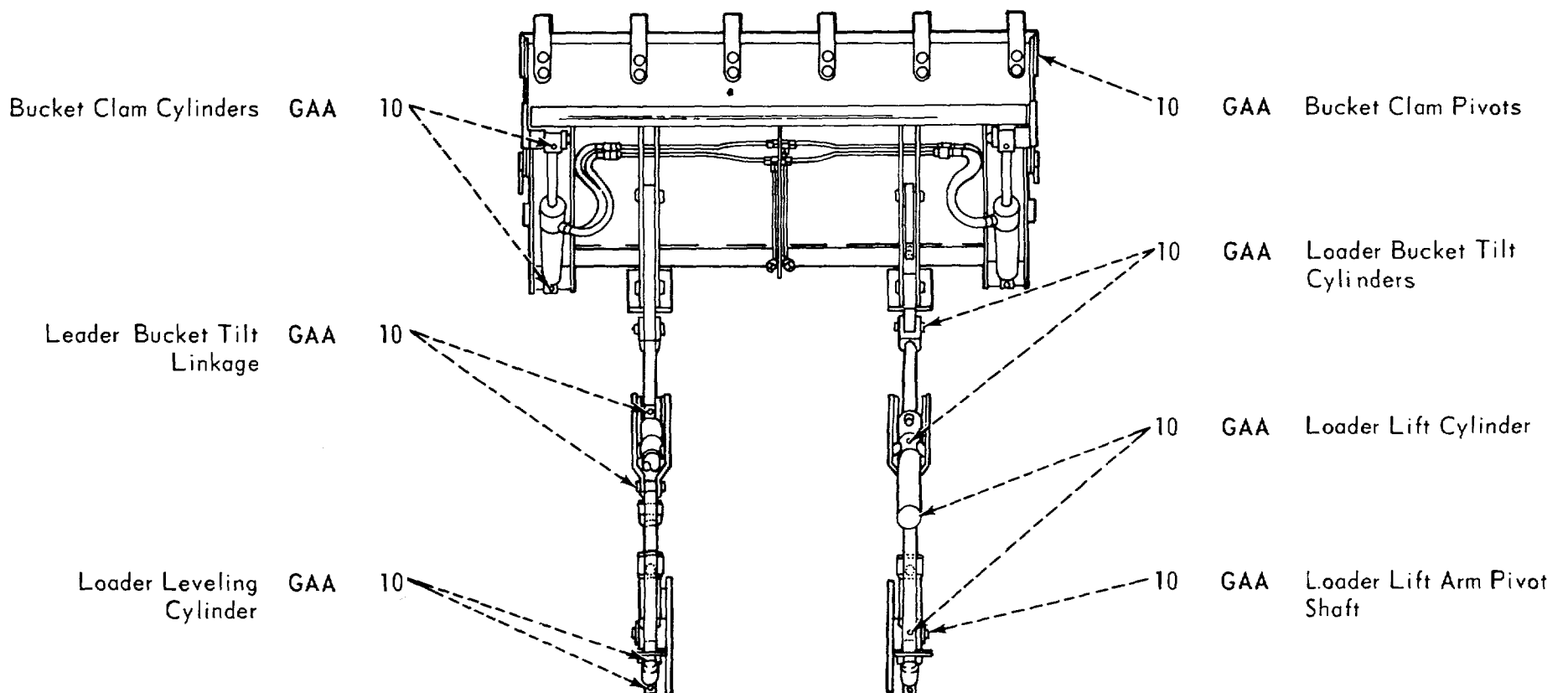
Clean fitting before lubricating,

FOLD

FOLD

LUBRICANT ● INTERVAL

INTERVAL ● LUBRICANT



LOADER SCOOP TYPE