

**TECHNICAL MANUAL  
UNIT, DIRECT SUPPORT  
AND GENERAL SUPPORT  
MAINTENANCE PARTS LIST**

**FOR**

**HYDRAULIC EXCAVATOR  
JOHN DEERE  
MODEL 230LCR  
NSN 3805-01-463-0804**

**AND**

**MODEL 230LCRD WITH ROCK DRILL  
NSN 3805-01-463-0806**

**DISTRIBUTION STATEMENT A** - Approved for public release; distribution is unlimited.

Reproduced by permission of Deere & Company, Moline, IL © 2000.  
All rights reserved.

---

**HEADQUARTERS, DEPARTMENT OF THE ARMY  
15 FEBRUARY 2000**

UNIT, DIRECT SUPPORT  
AND GENERAL SUPPORT MAINTENANCE PARTS LIST

HYDRAULIC EXCAVATOR  
JOHN DEERE  
MODEL 230LCR  
NSN 3805-01-463-0804

AND  
MODEL 230LCRD WITH ROCK DRILL  
NSN 3805-01-463-0806

REPORTING ERRORS AND RECOMMENDING IMPROVEMENTS

You can help improve this publication. If you find any mistakes or if you know of a way to improve the procedures, please let us know. Submit your DA Form 2028-2 (Recommended Changes to Equipment Technical Publications), through the Internet, on the Army Electronic Product Support (AEPS) website. The Internet address is <http://aeprs.ria.army.mil>. If you need a password, scroll down and click on "ACCESS REQUEST FORM". The DA Form 2028 is located in the ONLINE FORMS PROCESSING section of the AEPS. Fill out the form and click on SUBMIT. Using this form on the AEPS will enable us to respond quicker to your comments and better manage the DA Form 2028 program. You may also mail, fax or email your letter, DA Form 2028, or DA Form 2028-2 direct to: Commander, U.S. Army Tank-automotive and Armaments Command, ATTN: AMSTA-LC-CI, Rock Island, IL 61299-7630. The email address is [amsta-lc-ci@ria.army.mil](mailto:amsta-lc-ci@ria.army.mil). The fax number is DSN 793-0726 or Commercial (309) 782-0726.

Distribution Statement A: Approved for public release: distribution is unlimited.

TABLE OF CONTENTS

	Page		Page
<b>Introduction</b> .....	I-1	<b>Section 0402</b>	
<b>Section 0130</b>		Engine Continued .....	0402-2
Wheels, Tires, Tracks .....	0130-1	<b>Section 0403</b>	
<b>Section 0260</b>		Engine Continued .....	0403-1
Axles and Suspension Systems .....	0260-2	<b>Section 0404</b>	
<b>Section 0400</b>		Engine Continued .....	0404-2
Engine .....	0400-2	<b>Section 0407</b>	
<b>Section 0401</b>		Engine Continued .....	0407-1
Engine Continued .....	0401-1		

Page	Page
<b>Section 0408</b> Engine Continued..... 0408-1	<b>Section 0530</b> Engine Auxiliary System Continued..... 0530-2
<b>Section 0409</b> Engine Continued..... 0409-2	<b>Section 0560</b> Engine Auxiliary System Continued..... 0560-2
<b>Section 0410</b> Engine Continued..... 0410-2	<b>Section 1320</b> Miscellaneous Vehicle..... 1320-2
<b>Section 0413</b> Engine Continued..... 0413-1	<b>Section 1369</b> Miscellaneous Vehicle Continued..... 1369-2
<b>Section 0414</b> Engine Continued..... 0414-1	<b>Section 1671A</b> Electrical System ..... 1671A-2
<b>Section 0416</b> Engine Continued..... 0416-2	<b>Section 1672</b> Electrical System Continued..... 1672-1
<b>Section 0417</b> Engine Continued..... 0417-2	<b>Section 1673A</b> Electrical System Continued..... 1673A-2
<b>Section 0418</b> Engine Continued..... 0418-2	<b>Section 1674</b> Electrical System Continued..... 1674-2
<b>Section 0419</b> Engine Continued..... 0419-2	<b>Section 1740</b> Frame, Chassis or Supporting Structure..... 1740-2
<b>Section 0420</b> Engine Continued..... 0420-2	<b>Section 1801A</b> Operator's Station ..... 1801A-2
<b>Section 0421</b> Engine Continued..... 0421-2	<b>Section 1810</b> Operator's Station Continued ..... 1810-2
<b>Section 0422</b> Engine Continued..... 0422-1	<b>Section 1821</b> Operator's Station Continued ..... 1821-2
<b>Section 0423</b> Engine Continued..... 0423-2	<b>Section 1830</b> Operator's Station Continued ..... 1830-2
<b>Section 0429</b> Engine Continued..... 0429-2	<b>Section 1910</b> Sheet Metal and Styling ..... 1910-2
<b>Section 0433</b> Engine Continued..... 0433-1	<b>Section 1913A</b> Sheet Metal and Styling Continued..... 1913A-2
<b>Section 0452</b> Engine Continued..... 0452-1	<b>Section 1913B</b> Sheet Metal and Styling Continued..... 1913B-2
<b>Section 0505</b> Engine Auxiliary System ..... 0505-2	<b>Section 1919</b> Sheet Metal and Styling Continued..... 1919-2
<b>Section 0510</b> Engine Auxiliary System Continued... 0510-2	<b>Section 2002</b> Safety, Convenience and Miscellaneous ..... 2002-2
<b>Section 0515</b> Engine Auxiliary System Continued... 0515-2	<b>Section 2003</b> Safety, Convenience and Miscellaneous Continued ..... 2003-2
<b>Section 0520</b> Engine Auxiliary System Continued... 0520-2	

**Section 2004A**

Safety, Convenience and  
Miscellaneous Continued ..... 2004A-2

**Section 2005A**

Safety, Convenience and  
Miscellaneous Continued ..... 2005A-2

**Section 2013B**

Safety, Convenience and  
Miscellaneous Continued ..... 2013B-2

**Section 2160**

Vehicle Main Hydraulic System ..... 2160-2

**Section 2162A**

Vehicle Main Hydraulic System  
Continued ..... 2162A-2

**Section 2163A**

Vehicle Main Hydraulic System  
Continued ..... 2163A-1

**Section 2163B**

Vehicle Main Hydraulic System  
Continued ..... 2163B-1

**Section 2200**

Compressor ..... 2200-2

**Section 2201A**

Compressor Continued ..... 2201A-2

**Section 3301A**

Excavator ..... 3301A-1

**Section 3302**

Excavator Continued..... 3302-2

**Section 3315**

Excavator Continued..... 3315-2

**Section 3340**

Excavator Continued..... 3340-2

**Section 3360**

Excavator Continued..... 3360-2

**Section 3362A**

Excavator Continued..... 3362A-2

**Section 4360**

Swing, Rotation or Pivoting System .. 4360-2

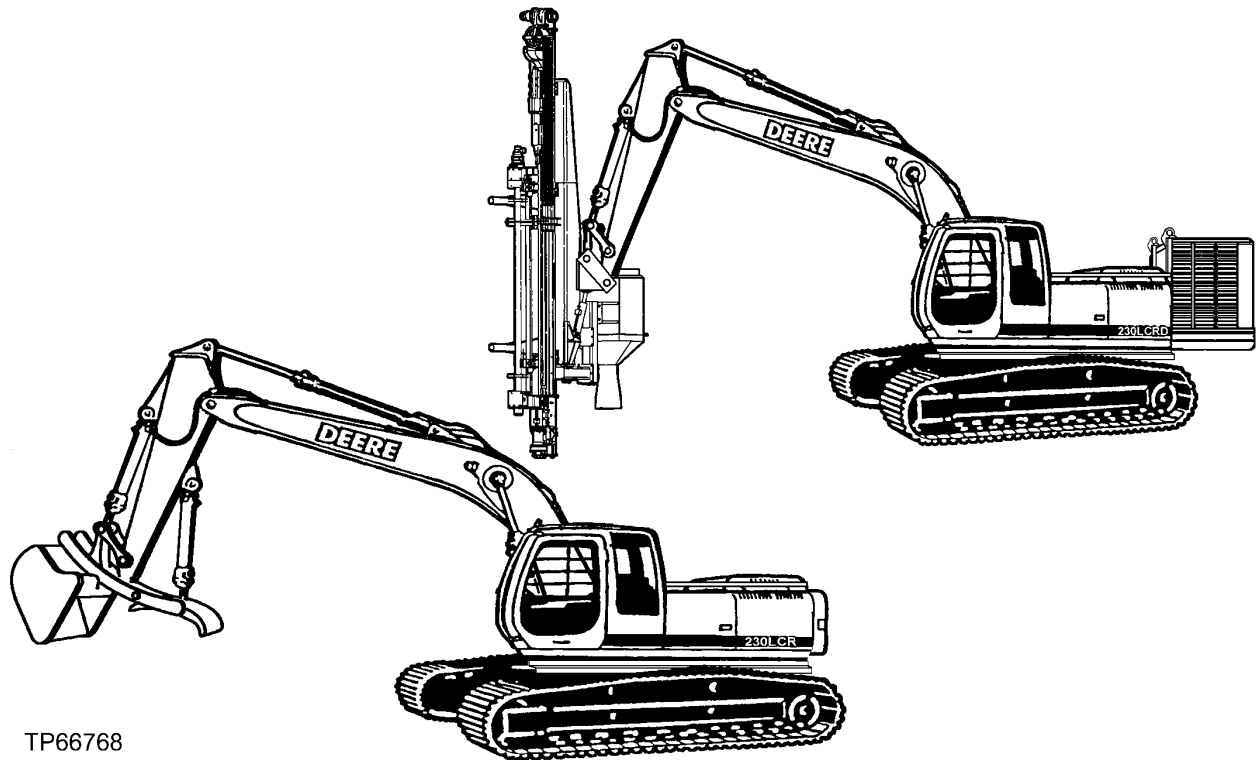
**Section 4400**

Rock Drill ..... 4400-1

**BLANK**

**INTRODUCTION AND CUSTOMER INFORMATION**

TP66768 -UN-28OCT99



TP66768

LEFT HAND VIEW OF JOHN DEERE 230LCR AND 230LCRD EXCAVATOR  
(MANUFACTURED 1999- )

**TO THE CUSTOMER**

THE PART NUMBERS IN THIS PARTS CATALOG WERE CORRECT AT THE TIME YOUR CATALOG WAS PUBLISHED. IT IS OUR POLICY TO CONSTANTLY IMPROVE OUR MACHINES AND, THEREFORE, PART NUMBERS MAY CHANGE. WHEN ORDERING PARTS, VERIFY PART NUMBERS THROUGH YOUR DEALER'S MICROFICHE WHICH IS UP-TO-DATE.

(SPECIFICATIONS AND DESIGN SUBJECT TO CHANGE WITHOUT NOTICE.)

**SERIAL NUMBER LOCATIONS**

EACH 230LCR AND 230LCRD HAS SEVEN SERIAL NUMBER PLATES:

A PRODUCT IDENTIFICATION NUMBER PLATE, AN ENGINE SERIAL NUMBER PLATE, A HYDRAULIC PUMP SERIAL NUMBER PLATE, A LEFT-HAND PROPEL MOTOR SERIAL NUMBER PLATE, A RIGHT-HAND PROPEL MOTOR SERIAL NUMBER PLATE, A SWING MOTOR SERIAL NUMBER PLATE AND MAIN CONTROL VALVE.

THE PRODUCT IDENTIFICATION PLATE IS LOCATED ON THE MAIN FRAME UNDER THE RIGHT-HAND FRONT CORNER OF THE CAB.

THE ENGINE SERIAL NUMBER PLATE IS LOCATED ON THE RIGHT SIDE OF THE CYLINDER BLOCK NEAR THE FUEL PUMP.

THE HYDRAULIC PUMP SERIAL NUMBER PLATE IS LOCATED NEAR THE FRONT OF THE HYDRAULIC PUMP.

THE SWING MOTOR SERIAL NUMBER PLATE IS LOCATED ON THE TOP OF THE SWING MOTOR.

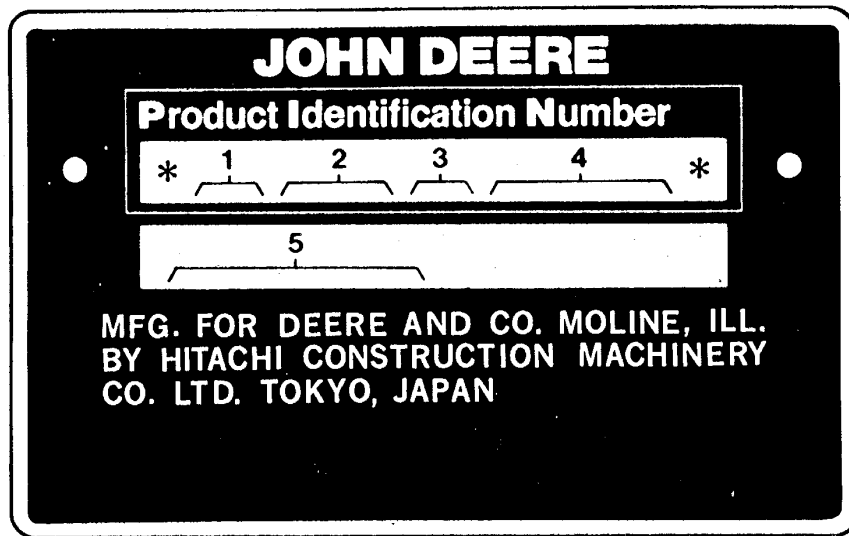
THE PROPEL MOTOR SERIAL NUMBER PLATE IS LOCATED ON THE REAR OF THE PROPEL MOTOR.

THE CONTROL VALVE SERIAL NUMBER PLATE IS LOCATED ON THE FRONT LEFT-HAND SIDE  
LEFT SIDE, RIGHT SIDE, FRONT AND REAR OF THE EXCAVATOR ARE VIEWED BY FACING IN THE DIRECTION OF THE EXCAVATOR FORWARD TRAVEL.

IF PRODUCT IDENTIFICATION NUMBERS OR SERIAL NUMBERS ARE REQUIRED FOR WARRANTY CLAIMS OR CORRESPONDENCE PERTAINING TO THIS PRODUCT. IT IS EXTREMELY IMPORTANT THAT ALL CHARACTERS BE FURNISHED. THIS POINT CANNOT BE OVEREMPHASIZED.

**PRODUCT IDENTIFICATION NUMBER**

TP16492 -UN-01JAN94

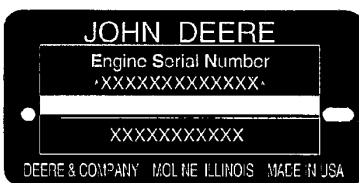


TP16492

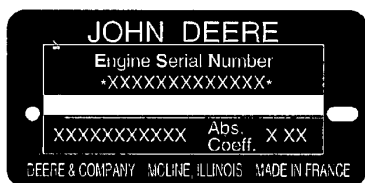
- |  |                         |
|--|-------------------------|
| 1. DESIGNATES EXCAVATOR MANUFACTURER.  | FF - JOHN DEERE-HITACHI |
| 2. DESIGNATES EXCAVATOR MODEL          | 230                     |
| 3. DESIGNATES EXCAVATOR CONFIGURATION. | 'LCR AND LCRD           |
| 4. DESIGNATES EXCAVATOR SERIAL NUMBER. | 000000                  |
| 5. DESIGNATED UNIT TYPE.               | EXCAVATOR               |

**ENGINE SERIAL NUMBER**

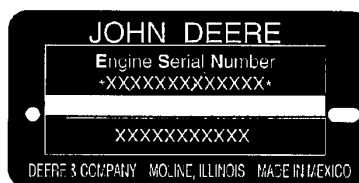
TP58281 -UN-26JAN98



**DUBUQUE OPTION**



**SARAN OPTION**



**TORREON OPTION**

**TP58281**

1. DESIGNATES ENGINE MANUFACTURER T-JOHN DEERE DUBUQUE WORKS
2. DESIGNATES NUMBER OF CYLINDERS AND CUBIC6068 (6.8 LITER) INCH DISPLACEMENT.
3. DESIGNATES FUEL TYPE OR SPECIAL CONDITION-TURBOCHARGED DIESEL
4. DESIGNATES ENGINE SERIAL NUMBER 123456
5. DESIGNATES THE ENGINE APPLICATION AND 6068HT 051 FACTORY USER.



### SERIAL NUMBER LISTING INFORMATION

SERIAL NUMBER INFORMATION IS LISTED TO SHOW ON WHICH MACHINES EACH PART CAN BE USED; FOR EXAMPLE:

- THE PART CAN BE USED ON ALL MACHINES.
- 000000- THE PART CAN BE USED ON ALL MACHINES BEGINNING WITH THE SERIAL NUMBER LISTED.
- 000000 THE PART CAN BE USED ON ALL MACHINES UP TO AND INCLUDING THE SERIAL NUMBER LISTED.
- 000000-000000 THE PART CAN BE USED ON ALL MACHINES BETWEEN AND INCLUDING THE SERIAL NUMBERS LISTED.

WHEN XXXXXX'S ARE LISTED IN PLACE OF A SERIAL NUMBER, A SERIAL NUMBER CHANGE WAS MADE BUT THE EXACT SERIAL NUMBER WAS NOT AVAILABLE WHEN THE CATALOG WAS PRODUCED.

### DIRECTION ARROW

ARROWS ARE USED WITH ILLUSTRATIONS TO INDICATE THE FRONT OF THE UNIT. "RIGHT-HAND" AND "LEFT-HAND" SIDES ARE DETERMINED BY FACING IN THE DIRECTION OF MACHINE FORWARD TRAVEL.

### BOX-ENCLOSED ILLUSTRATIONS

A KEY NUMBER, SHOWN IN THE PARTS LIST, IS ASSIGNED TO A BOX ENCLOSING ALL PARTS SOLD AS A SERVICE ASSEMBLY.

### BOLT AND CAP SCREW STRENGTH IDENTIFICATION

BOLTS AND CAP SCREWS REQUIRED TO HAVE HIGH-STRENGTH QUALITIES EQUIVALENT TO SAE GRADE 8 ARE IDENTIFIED THROUGHOUT THIS CATALOG BY THE DESCRIPTION HS SAE 8. ALL STANDARD BOLTS AND CAP SCREWS ARE SAE GRADE 5 OR LOWER.

### COMPLETE GOODS LISTINGS

COMPLETE GOODS ARE LISTED IN BOLD FACE TYPE. ORDER SEPARATELY. DO NOT INCLUDE ON REPLACEMENT PARTS ORDER.

### SI UNITS OF MEASURE

METRIC DIMENSIONS ARE GIVEN, WHERE APPLICABLE, THROUGHOUT THIS PARTS CATALOG.

### MODEL DIFFERENCES

PARTS THAT ARE USED ON 230LCR (TYPE I) AND NOT 230LCRD (TYPE II) WILL BE IDENTIFIED BY AN "X" IN THE MODEL COLUMN. ABSENCE OF AN "X" INDICATES PARTS ARE COMMON TO BOTH THE 230LCR (TYPE I) AND THE 230LCRD (TYPE II).

**ORDERING PARTS FOR THE HYDRAULIC EXCAVATOR (HYEX) TYPE I and TYPE II**

**1. MILSTRIP requisitioning through Direct Vendor Delivery (DVD):**

Submit a requisition using the normal MILSTRIP process. The CAGE Codes for John Deere, Indeco, Ingersoll-Rand and Montebert are listed below with the section of the parts manual to which each apply. The CAGE Code must be input along with the desired part number. The part numbers contained in the HYEX parts manual cross-reference to NSNs in FEDLOG. The requisition will be processed electronically through DLA or TACOM. Delivery of parts to units located within CONUS will be shipped directly to the originator. Delivery of parts to OCONUS locations will be shipped to the appropriate CONUS Containerization/Consolidation Point (CCP) for trans-shipment on military vessel/aircraft to the OCONUS-based CCP.

**2. MILSTRIP requisitioning through wholesale system:**

Submit a requisition using the normal MILSTRIP process. The CAGE Code must be input along with the desired part number. The part numbers contained in the HYEX parts manual cross-reference to NSNs in FEDLOG. If there is stock in the wholesale system, the part will be shipped from a DLA supply depot.

**3. Local Purchase:**

Parts can be purchased from the local dealer using the IMPAC card.

**4. Phone or E-Mail:**

Units can also telephone in requisitions directly to TACOM (DSN 786-6474/COMM (810) 574-6474 or DSN 786-6303/COMM (810) 574-6303). For further assistance, you can email TACOM Weapon System Manager, Harriet Stewart (stewarth@tacom.army.mil) or Maintenance System Manager, Geri Padden (paddeng@tacom.army.mil).

**5. TM Section CAGE Code:**

When ordering part for the John Deere Model 230 LCR and Model 230 LCRD with Rock Drill, use the following CAGE Codes with the required part number illustrated in this manual.

Section	Nomenclature	Manufacture	CAGE Code
Section 0130	Tracks	John Deere	1J955
Section 0260	Suspension	John Deere	1J955
Section 0400-0452	Engine	John Deere	1J955
Section 0505-0560	Engine Auxiliary Sys	John Deere	1J955
Section 1320-1369	Miscellaneous Veh.	John Deere	1J955
Section 1671A-1674	Electrical Sys	John Deere	1J955
Section 1740	Frame/Support Struc.	John Deere	1J955
Section 1801A-1830	Operator's Station	John Deere	1J955
Section 1910-1919	Sheet Metal Styling	John Deere	1J955
Section 2002-2013B	Safety, Convenience	John Deere	1J955
Section 2160-2163B	Vehicle Main Hydraulic	John Deere	1J955
Section 2200-2201A	Compressor	Ingersoll-Rand	33968
Section 3301A-3362A	Excavator	John Deere	1J955
Section 4360	Swing Rotation & Pivot	John Deere	1J955
Section 4400	Rock Drill	Montebert	F5267

ALPHABETICAL INDEX

GRID	PAGE	GRID	PAGE
<b>A</b>			
1C17	ACCESS COVER, INJECTION PUMP GEAR.....0402-2	2H22	ANTI-DRIFT F/BUCKET CYLINDER KIT .....2162A-2
1E4	ADAPTER, ENGINE COOLANT .....0419-2	1G16	ANTI-SKID TAPE .....1320-2
1D3	ADAPTER, ENGINE FRONT PLATE.....0404-6	1F11	ARCTIC START KIT (TYPE I).....0505-10
1B5	ADJUSTER .....0130-10	1F13	ARCTIC START KIT (TYPE II) .....0505-12
2C23	ADJUSTER, SEAT .....1821-2	3D3	ARM ASSEMBLY, STANDARD .....3340-2
2D1	ADJUSTER, SEAT STAND .....1821-4	3G7	ARM CYLINDER.....3360-76
2E17	AIR CIRCULATING FAN .....1830-38	3E23	ARM IN PRESSURE SWITCH.....3360-44
1G3	AIR CLEANER .....0520-2	3D3	ARM, STANDARD, 2.96M .....3340-2
1G5	AIR CLEANER PIPINGS .....0520-4	2B9	ARM, WINDSHIELD WIPER .....1810-6
1G5	AIR CLEANER SUPPORT.....0520-4	1E11	ARMATURE, STARTER .....0422-2
2D20	AIR CONDITIONER PIPING (UNIT, ENGINE).....1830-16	2C23	ARMREST, SEAT .....1821-2
2D16	AIR CONDITIONER (COMPRESSOR, CONDENSER, TANK) .....1830-12	1C19	ARMS, ROCKER .....0402-4
2E3	AIR CONDITIONER BLOWER COMPONENTS .....1830-24	2C5	ASHTRAY .....1810-26
2D24	AIR CONDITIONER COMPONENTS.....1830-20	1H20	ATTACHMENT MODE KIT.....1674-24
2E1	AIR CONDITIONER COMPONENTS (RELAY, FILTER, BLOWER) .....1830-22	1I8	ATTACHMENT MODE KIT.....1674-40
2D16	AIR CONDITIONER COMPRESSOR BELT .....1830-12	3H4	ATTACHMENTS .....3301A-2
2D22	AIR CONDITIONER COMPRESSOR COMPONENTS .....1830-18	1H1	AUTO IDLE INDICATOR .....1674-4
2D16	AIR CONDITIONER COMPRESSOR PIPING TO CONDENSER.....1830-12	2I9	AUXILIARY AIR LINES.....2201A-4
2D16	AIR CONDITIONER COMPRESSOR PULLEY .....1830-12	3G11	AUXILIARY ELECTRIC FOOT SWITCH .....3360-80
2D16	AIR CONDITIONER CONDENSER PIPING TO COMPRESSOR .....1830-12	3G13	AUXILIARY ELECTRIC HAND CONTROLLER.....3360-82
2D16	AIR CONDITIONER CONDENSOR PIPING TO TANK .....1830-12	3D1	AUXILIARY FOOT VALVE TO CONTROL VALVE HOSE .....3315-18
2E7	AIR CONDITIONER CONTROLLER .....1830-28	3G23	AUXILIARY HYDRAULIC PLUMBING .....3360-92
2D14	AIR CONDITIONER DUCT .....1830-10	2H24	AUXILIARY LINES, HYDRAULIC QUICK COUPLERS .....2163A-1
2E9	AIR CONDITIONER DUCT .....1830-30	1E16	AUXILIARY PULLEY.....0429-3
2E11	AIR CONDITIONER DUCT .....1830-32	3G15	AUXILIARY SPOOL CONTROL W/FLOW CONTROL KIT .....3360-84
2E5	AIR CONDITIONER HOUSING UNIT COMPONENTS.....1830-26	1D3	AUXILIARY DRIVE COVER .....0404-6
2D18	AIR CONDITIONER PIPING (UNIT, TANK, COMPRESSOR).....1830-14	1B3	AXLE, FRONT IDLER .....0130-8
2D18	AIR CONDITIONER PIPING TO COMPRESSOR.....1830-14	1B9	AXLE, LOWER ROLLER .....0130-14
2D20	AIR CONDITIONER PIPING TO ENGINE.....1830-16	<b>B</b>	
2D18	AIR CONDITIONER PIPING TO RECEIVING TANK .....1830-14	1H1	BACKUP ALARM .....1674-4
2D14	AIR CONDITIONER SYSTEM (CONTROLLER, WIRE HARNESS, AIR DUCT, MOUNTING) .....1830-10	2I16	BAFFLE, COMPRESSOR.....2201A-12
2D16	AIR CONDITIONER TANK PIPING TO CONDENSOR .....1830-12	2B21	BARS, WINDOW .....1810-18
2D16	AIR CONDITIONER VAPOR CONDENSER .....1830-12	2I4	BASE, COMPRESSOR.....2200-2
2D14	AIR CONTIONER MOUNTING .....1830-10	1H7	BATTERY .....1674-10
1F15	AIR COOLER .....0510-2	1H7	BATTERY BOOSTER CABLES .....1674-10
1F17	AIR COOLER PIPING .....0510-4	1H7	BATTERY RELAY.....1674-10
2D14	AIR DUCT, AIR CONDITIONER .....1830-10	1H7	BATTERY WIRE HARNESS .....1674-10
2E15	AIR DUCT, AIR CONDITIONING.....1830-36	1J3	BEARING, SWING .....1740-8
2D6	AIR DUCT, HEATER .....1830-2	1C16	BEARING, CRANKSHAFT THRUST.....0401-1
1H1	AIR FILTER RESTRICTION INDICATOR LIGHT .....1674-4	1C16	BEARINGS, MAIN.....0401-1
1D22	AIR INTAKE SYSTEM .....0414-1	1C22	BEARINGS, CONNECTING ROD .....0403-1
1D22	AIR INTAKE TUBE .....0414-1	2D16	BELT, AIR CONDITONER COMPRESSOR .....1830-12
2I22	AIR LINE .....2201A-18	1E17	BELT, IDLER TENSIONER .....0429-4
2I9	AIR LINES, AUXILIARY .....2201A-4	2D3	BELT, SEAT .....1821-6
2I7	AIR LINES, ROCK DRILL .....2201A-2	2D5	BELT, SEAT, RETRACTABLE (76MM (3") WIDE).....1821-9
1H1	ALARM, BACKUP.....1674-4	1E19	BELTS, FAN .....0429-6
1H15	ALARM, MOTION .....1674-18	2E17	BLADE, AIR CIRCULATING FAN .....1830-38
1I3	ALARM, MOTION .....1674-34	2E17	BLADE, DEFROSTER FAN .....1830-38
2G17	ALARM, OVERLOAD .....2004A-2	1F23	BLADE, FAN.....0510-10
1H11	ALARM, TRAVEL, MOUNTING HARDWARE .....1674-14	2B9	BLADE, WINDSHIELD WIPER .....1810-6
1H24	ALARM, TRAVEL, MOUNTING HARDWARE .....1674-30	1C23	BLOCK, CYLINDER .....0404-2
1G23	ALTERNATOR (45 AMP) .....1672-1	1B1	BLOCK, TRACK CHAIN SLIDE .....0130-6
1H1	ALTERNATOR LIGHT .....1674-4	2E17	BLOWER, AIR CIRCULATING FAN .....1830-38
1E13	ALTERNATOR MOUNTING BRACKETS .....0423-2	2E1	BLOWER, AIR CONDITIONER .....1830-22
1G23	ALTERNATOR PULLEY (45 AMP) .....1672-1	2E3	BLOWER, AIR CONDITIONER COMPONENTS.....1830-24
1D17	ANEROID LINE, FUEL INJECTION PUMP.....0413-4	2E17	BLOWER, DEFROSTER FAN .....1830-38
2B9	ANTENNA, RADIO .....1810-6	3D19	BOOM BOTTOM PIPINGS.....3360-16
		3D11	BOOM BOTTOM PIPINGS TO BOOM CYLINDER .....3360-8
		3G17	BOOM CYLINDER LOAD LOWERING VALVE KIT .....3360-86
		3G19	BOOM CYLINDER LOAD LOWERING VALVE KIT .....3360-88

ALPHABETICAL INDEX - CONTINUED

GRID	PAGE	GRID	PAGE
3G21	BOOM CYLINDER LOAD LOWERING VALVE KIT ..... 3360-90	2C3	CAB COMPONENTS ..... 1810-24
3D11	BOOM CYLINDER PIPINGS TO BOOM BOTTOM PIPINGS ..... 3360-8	2C1	CAB COMPONENTS (DOOR CATCH) ..... 1810-22
3D11	BOOM CYLINDER PIPINGS TO CONTROL VALVE ..... 3360-8	2B13	CAB COMPONENTS (DOOR) ..... 1810-10
3G5	BOOM CYLINDER, LEFT ..... 3360-74	2B15	CAB COMPONENTS (DOOR) ..... 1810-12
3G3	BOOM CYLINDER, RIGHT ..... 3360-72	2B17	CAB COMPONENTS (FRONT) ..... 1810-14
1I15	BOOM LIGHTS ..... 1673A-2	2B19	CAB COMPONENTS (FRONT) ..... 1810-16
2I22	BOOM LINE ..... 2201A-18	2B21	CAB COMPONENTS (RIGHT SIDE) ..... 1810-18
3F17	BOOM PIPING ..... 3360-62	2B23	CAB COMPONENTS (TOP HATCH) ..... 1810-20
3E23	BOOM UP PRESSURE SWITCH ..... 3360-44	2B11	CAB COMPONENTS (TOP, LEFT SIDE, REAR) ..... 1810-8
1H7	BOOSTER CABLES, BATTERY ..... 1674-10	2B9	CAB COMPONENTS (WINDSHIELD WIPER, DOME LIGHT, RADIO ANTENNA, RADIO SPEAKER) ..... 1810-6
3C9	BOOT, CONTROL LEVER ..... 3315-2	2C13	CAB FLOOR PARTS ..... 1810-34
2G23	BOX, STORAGE, VANDAL PROTECTION ..... 2013B-3	2C5	CAB INSIDE RIGHT COVER ..... 1810-26
1G7	BRACE, MUFFLER ..... 0530-2	1I17	CAB LIGHTS ..... 1673A-4
3H4	BRACKET ASSEMBLY, ROCK DRILL ..... 3301A-2	2B5	CAB MOUNTING ..... 1810-2
2D16	BRACKET, AIR CONDITIONER COMPRESSOR ..... 1830-12	2G7	CAB SCREEN, FRONT UPPER ..... 1913A-2
1E6	BRACKET, FUEL FILTER ..... 0420-2	2B11	CAB TOP, HEADLINER ..... 1810-8
1D21	BRACKET, FUEL INJECTION PUMP SUPPORT ..... 0413-8	1F24	CABLE, ENGINE SPEED CONTROL ..... 0515-2
1G7	BRACKET, MUFFLER ..... 0530-2	1F9	CABLE, HEATER ..... 0505-8
1E17	BRACKET, TENSIONER ..... 0429-4	1F10	CABLE, HEATER ..... 0505-9
1E13	BRACKETS, ALTERNATOR MOUNTING ..... 0423-2	2D10	CABLE, HEATER CONTROLLER ..... 1830-6
1B22	BRAKE RELIEF VALVE, PROPEL MOTOR ..... 0260-10	1C20	CAMSHAFT ..... 0402-5
1B22	BRAKE RELIEF VALVE, TRAVEL MOTOR ..... 0260-10	1C20	CAMSHAFT GEAR ..... 0402-5
1B20	BRAKE VALVE ..... 0260-8	1G9	CAP, FUEL TANK ..... 0560-2
1B22	BRAKE VALVE COMPONENTS ..... 0260-10	1C23	CAP, MAIN BEARING ..... 0404-2
1E11	BRUSHES, STARTER ..... 0422-2	1F21	CAP, RESERVE WATER TANK ..... 0510-8
3G9	BUCKET CYLINDER ..... 3360-78	1G23	CAPACITOR, ALTERNATOR ..... 1672-1
3D3	BUCKET CYLINDER WITH STANDARD ARM ASSEMBLY ..... 3340-2	2D6	CAR HEATER ..... 1830-2
2H22	BUCKET CYLINDER, ANTI-DRIFT KIT ..... 2162A-2	2D8	CAR HEATER COMPONENTS ..... 1830-4
3D3	BUCKET LINKAGE, STANDARD ARM ASSEMBLY ..... 3340-2	2C1	CATCH, CAB DOOR ..... 1810-22
2I5	BUCKET PIN-UP DATA ..... 2200-3	1C3	CENTER JOINT ..... 0260-16
2I8	BUCKET PIN-UP DATA ..... 2201A-3	1B14	CENTER JOINT ATTACHMENTS ..... 0260-2
2I10	BUCKET PIN-UP DATA ..... 2201A-5	3D17	CENTER JOINT PIPINGS TO CONTROL VALVE ..... 3360-14
2I12	BUCKET PIN-UP DATA ..... 2201A-7	3D9	CENTER JOINT PIPINGS TO RETURN PIPINGS ..... 3360-6
2I14	BUCKET PIN-UP DATA ..... 2201A-9	3E21	CENTER JOINT PIPINGS TO SOLENOID VALVE ..... 3360-42
2I17	BUCKET PIN-UP DATA ..... 2201A-13	1C7	CENTER JOINT PIPINGS TO TRAVEL DEVICE ..... 0260-20
2I19	BUCKET PIN-UP DATA ..... 2201A-15	1C5	CENTER JOINT SUPPORT ..... 0260-18
2I21	BUCKET PIN-UP DATA ..... 2201A-17	1B1	CHAIN SLIDE BLOCK ..... 0130-6
2I23	BUCKET PIN-UP DATA ..... 2201A-19	1B11	CHAIN, TRACK ..... 0130-16
3B24	BUCKET PIN-UP DATA ..... 3302-18	1F15	CHARGE OIL COOLER ..... 0510-2
3C2	BUCKET PIN-UP DATA ..... 3302-21	2C5	CIGAR LIGHTER ..... 1810-26
3C4	BUCKET PIN-UP DATA ..... 3302-23	1J3	CIRCLE, SWING BEARING ..... 1740-8
3C6	BUCKET PIN-UP DATA ..... 3302-25	1H1	CIRCUIT BOARD, MONITOR ..... 1674-4
3B16	BUCKET TOOTH ASSEMBLY, HEAVY DUTY HIGH CAPACITY, 310 SERIES ..... 3302-10	3H4	CLAMP ASSEMBLY, MATERIAL ..... 3301A-2
3B18	BUCKET TOOTH ASSEMBLY, HEAVY DUTY HIGH CAPACITY, 400 SERIES ..... 3302-12	1E8	CLAMPS, FUEL FILTER LINES ..... 0420-4
3B20	BUCKET TOOTH ASSEMBLY, SEVERE DUTY CAST LIP ..... 3302-14	1G3	CLEANER, AIR ..... 0520-2
3B22	BUCKET TOOTH ASSEMBLY, SEVERE DUTY PLATE LIP ..... 3302-16	1G5	CLEANER, AIR, SUPPORT ..... 0520-4
3B10	BUCKET, DITCH CLEANING ..... 3302-4	1E11	COIL, STARTER ..... 0422-2
3B8	BUCKET, GENERAL PURPOSE ..... 3302-2	1F3	COLD WEATHER STARTING AID ..... 0505-2
3B14	BUCKET, TOOTH ASSEMBLY, GENERAL PURPOSE ..... 3302-8	2I16	COMPRESSOR BAFFLE ..... 2201A-12
1H15	BUZZER, MOTION ALARM ..... 1674-18	2I4	COMPRESSOR BASE ..... 2200-2
1I3	BUZZER, MOTION ALARM ..... 1674-34	2D16	COMPRESSOR BELT, AIR CONDITIONER ..... 1830-12
1E10	BY-PASS START LABEL ..... 0422-1	2I16	COMPRESSOR DOORS ..... 2201A-12
1E11	BYPASS START LABEL ..... 0422-2	2I4	COMPRESSOR FRAME ..... 2200-2
	<b>C</b>	2I16	COMPRESSOR GRILLE ..... 2201A-12
2B7	CAB ..... 1810-4	2I16	COMPRESSOR HOOD/DOORS/BAFFLE/GRILLE ..... 2201A-12
		2I4	COMPRESSOR MOUNT ..... 2200-2
		2I4	COMPRESSOR MOUNT/FRAME/ BASE/SKIRT ..... 2200-2
		2D18	COMPRESSOR PIPING TO AIR CONDITIONER ..... 1830-14
		2D16	COMPRESSOR PULLEY, AIR CONDITIONER ..... 1830-12
		2I4	COMPRESSOR SKIRT ..... 2200-2
		2D16	COMPRESSOR WIRE HARNESS, AIR CONDITIONER ..... 1830-12
		2I18	COMPRESSOR-EXCAVATOR, FUEL LINES, KIT ..... 2201A-14
		2D16	COMPRESSOR, AIR CONDITIONER ..... 1830-12
		2D22	COMPRESSOR, AIR CONDITIONER COMPONENTS ..... 1830-18

ALPHABETICAL INDEX - CONTINUED

GRID	PAGE	GRID	PAGE
2E7	COMPUTER, AIR CONDITIONER CONTROLLER.....	1830-28	
2D16	CONDENSER BRACKET.....	1830-12	
2D16	CONDENSER, AIR CONDITIONER.....	1830-12	
1C22	CONNECTING ROD.....	0403-1	
1C22	CONNECTING ROD BEARINGS.....	0403-1	
3H1	CONNECTIONS, HYDRAULIC.....	3360-94	
1H22	CONNECTORS, WEATHERPACK.....	1674-26	
1I10	CONNECTORS, WEATHERPACK.....	1674-42	
2C17	CONSOLE.....	1810-38	
2C19	CONSOLE COVER.....	1810-40	
2C21	CONSOLE COVER.....	1810-42	
2I20	CONSOLE MOUNT, ROCK DRILL.....	2201A-16	
3G15	CONTROL KIT, W/FLOW, AUXILIARY SPOOL.....	3360-84	
3C9	CONTROL LEVER.....	3315-2	
1D19	CONTROL LEVER, FUEL INJECTION PUMP.....	0413-6	
3C15	CONTROL LEVER, PROPEL.....	3315-8	
3D23	CONTROL VALVE.....	3360-20	
3E3	CONTROL VALVE (COMPONENTS).....	3360-24	
3E5	CONTROL VALVE (COMPONENTS).....	3360-26	
3E7	CONTROL VALVE (COMPONENTS).....	3360-28	
3E9	CONTROL VALVE (COMPONENTS).....	3360-30	
3E11	CONTROL VALVE (COMPONENTS).....	3360-32	
3D17	CONTROL VALVE PIPINGS TO CENTER JOINT.....	3360-14	
3E23	CONTROL VALVE PIPINGS TO FLOW CONTROL VALVE.....	3360-44	
3F1	CONTROL VALVE PIPINGS TO FLOW CONTROL VALVE.....	3360-46	
3D13	CONTROL VALVE PIPINGS TO FRONT PIPINGS.....	3360-10	
2H17	CONTROL VALVE PIPINGS TO HYDRAULIC PUMP.....	2160-16	
3D19	CONTROL VALVE PIPINGS TO MAIN PIPINGS.....	3360-16	
3F13	CONTROL VALVE PIPINGS TO OIL FILTER.....	3360-58	
3D5	CONTROL VALVE PIPINGS TO OIL TANK.....	3360-2	
3F3	CONTROL VALVE PIPINGS TO OIL TANK.....	3360-48	
3F13	CONTROL VALVE PIPINGS TO OIL TANK.....	3360-58	
3D7	CONTROL VALVE PIPINGS TO RADIATOR.....	3360-4	
3E17	CONTROL VALVE PIPINGS TO SOLENOID VALVE.....	3360-38	
3E21	CONTROL VALVE PIPINGS TO SOLENOID VALVE.....	3360-42	
3D9	CONTROL VALVE PIPINGS TO SWING DEVICE.....	3360-6	
3D15	CONTROL VALVE PIPINGS TO SWING DEVICE.....	3360-12	
3E21	CONTROL VALVE PIPINGS TO SWING DEVICE.....	3360-42	
3F5	CONTROL VALVE PIPINGS TO TRAVEL PILOT VALVE.....	3360-50	
3E1	CONTROL VALVE SUPPORT.....	3360-22	
3D1	CONTROL VALVE TO AUXILIARY FOOT VALVE HOSE.....	3315-18	
3D11	CONTROL VALVE TO BOOM CYLINDER PIPINGS.....	3360-8	
3F21	CONTROL VALVE, FLOW.....	3360-66	
1D19	CONTROL VALVE, FUEL INJECTION PUMP.....	0413-6	
3D1	CONTROL, AUXILIARY FOOT.....	3315-18	
2D6	CONTROL, HEATER.....	1830-2	
2D14	CONTROLLER, AIR CONDITIONER.....	1830-10	
2E7	CONTROLLER, AIR CONDITIONER.....	1830-28	
1G24	CONTROLLER, EPVC.....	1674-2	
2D10	CONTROLLER, HEATER.....	1830-6	
3H7	CONTROLS, PILOT, FOR HAND HELD TOOLS.....	3362A-4	
3H9	CONTROLS, PILOT, FOR HAND HELD TOOLS.....	3362A-6	
3H11	CONTROLS, PILOT, ROCK DRILL HYDRAULICS.....	3362A-8	
1H18	CONVERTER (24-VOLT TO 12-VOLT).....	1674-21	
1I6	CONVERTER (24-VOLT TO 12-VOLT).....	1674-37	
2I15	COOLANT KIT.....	2201A-11	
1H1	COOLANT LEVEL LIGHT.....	1674-4	
1H1	COOLANT TEMPERATURE GAUGE.....	1674-4	
1F15	COOLER, AIR.....	0510-2	
1F15	COOLER, OIL.....	0510-2	
1G20	COOLSCAN PLUS TEST KIT.....	1369-5	
1J1	COUNTERWEIGHT.....	1740-6	
2I2	COUPLERS, QUICK, HYDRAULIC, F/ROCK DRILL.....	2163B-1	
2H5	COUPLING, PUMP.....	2160-4	
2F1	COVER (CAB TOP FRONT LEFT SIDE).....	1910-6	
2F3	COVER (CENTER FRONT TOP).....	1910-8	
2F5	COVER (CENTER VERTICAL).....	1910-10	
2F7	COVER (FRONT LEFT SIDE).....	1910-12	
2E24	COVER (LEFT FRONT SIDE).....	1910-4	
2F9	COVER (RIGHT SIDE).....	1910-14	
1C17	COVER, ACCESS, INJECTION PUMP GEAR.....	0402-2	
1D3	COVER, AUXILLARY DRIVE.....	0404-6	
1H7	COVER, BATTERY.....	1674-10	
2C5	COVER, CAB INSIDE RIGHT.....	1810-26	
1B14	COVER, CENTER JOINT.....	0260-2	
2C19	COVER, CONSOLE.....	1810-40	
2C21	COVER, CONSOLE.....	1810-42	
2F17	COVER, ENGINE.....	1910-22	
1E9	COVER, FUEL TRANSFER PUMP.....	0421-2	
2C7	COVER, LOWER MONITOR.....	1810-28	
1D4	COVER, OIL FILLER OPENING.....	0407-1	
1C9	COVER, PROPEL MOTOR.....	0260-22	
1C21	COVER, ROCKER ARM.....	0402-6	
1B14	COVER, ROTARY MANIFOLD.....	0260-2	
2F11	COVER, SIDE SHIELDS.....	1910-16	
1J5	COVER, SWING BEARING GREASE BATH.....	1740-10	
1E2	COVER, THERMOSTAT.....	0418-2	
1C17	COVER, TIMING GEAR.....	0402-2	
2F19	COVER, TOOL BOX.....	1910-24	
1A24	COVER, TRACK.....	0130-4	
1C9	COVER, TRAVEL MOTOR.....	0260-22	
2G1	COVER, UNDER.....	1910-30	
2F13	COVER, UNDER, LEFT SIDE.....	1910-18	
2E22	COVER, WINDOW.....	1910-2	
1C16	CRANKSHAFT.....	0401-1	
1E15	CRANKSHAFT DAMPENERS.....	0429-2	
1C16	CRANKSHAFT GEAR.....	0401-1	
1E15	CRANKSHAFT PULLEY.....	0429-2	
1C16	CRANKSHAFT THRUST BEARING.....	0401-1	
2C23	CUSHION, SEAT.....	1821-2	
3B10	CUTTING EDGE, DITCH CLEANING BUCKET.....	3302-4	
3B8	CUTTING EDGE, GENERAL PURPOSE BUCKET.....	3302-2	
3B12	CUTTING EDGES, ESCO.....	3302-6	
1C23	CYLINDER BLOCK.....	0404-2	
1D24	CYLINDER BLOCK OIL LINE TO TURBOCHARGER.....	0416-3	
1D11	CYLINDER HEAD.....	0409-2	
1D11	CYLINDER HEAD GASKET.....	0409-2	
1E23	CYLINDER HEAD REMOVAL GASKET SET.....	0452-1	
1C22	CYLINDER LINER.....	0403-1	
1C22	CYLINDER LINER O-RING KIT.....	0403-1	
3G7	CYLINDER, ARM.....	3360-76	
3G5	CYLINDER, BOOM, LEFT.....	3360-74	
3G3	CYLINDER, BOOM, RIGHT.....	3360-72	
3G9	CYLINDER, BUCKET.....	3360-78	
3D3	CYLINDER, BUCKET, WITH STANDARD ARM ASSEMBLY.....	3340-2	
1F3	CYLINDER, ETHER START FLUID.....	0505-2	
3G5	CYLINDER, LEFT BOOM.....	3360-74	
3G3	CYLINDER, RIGHT BOOM.....	3360-72	
D			
2H5	DAMPENER DRIVE, PUMP.....	2160-4	
1E15	DAMPENER, CRANKSHAFT.....	0429-2	
3C23	DAMPENER, PROPEL LEVER.....	3315-16	
3C23	DAMPENER, TRAVEL LEVER.....	3315-16	
3G11	DECAL, AUXILIARY CONTROL.....	3360-80	

ALPHABETICAL INDEX - CONTINUED

GRID		PAGE
1E11	DECAL, BYPASS START.....	0422-2
2H19	DECAL, HYDRAULIC FILTER RESTRICTION INDICATOR .....	2160-18
1C21	DECAL, MEDALLION ENGINE .....	0402-6
1E10	DECAL, STARTING MOTOR .....	0422-1
1G16	DECALS AND LABELS .....	1320-2
2G19	DECONTAMINATION CAN MOUNT .....	2005A-2
2E17	DEFROSTER FAN .....	1830-38
2H17	DELIVERY PIPINGS.....	2160-16
1G20	DIESELSCAN TEST KIT .....	1369-5
3F3	DIG PRESSURE SWITCH.....	3360-48
1H11	DIODE .....	1674-14
1H24	DIODE .....	1674-30
1D7	DIPSTICK TUBE, ENGINE OIL .....	0407-4
1D7	DIPSTICK, ENGINE OIL .....	0407-4
3H14	DIPSTICK, SWING DEVICE.....	4360-2
3B10	DITCH CLEANING BUCKET .....	3302-4
2B9	DOME LIGHT .....	1810-6
2B9	DOME LIGHT WIRE HARNESS .....	1810-6
2G3	DOOR LOCK .....	1910-32
2F23	DOOR LOCK LATCH, TOOL BOX .....	1910-28
2B13	DOOR, CAB .....	1810-10
2B15	DOOR, CAB .....	1810-12
2C1	DOOR, CATCH.....	1810-22
2I16	DOORS, COMPRESSOR.....	2201A-12
3D9	DRAIN PIPINGS (CENTER JOINT, SWING DEVICE, CONTROL VALVE) .....	3360-6
1E1	DRAIN, HEATER VALVE, WATER PUMP .....	0417-3
2I11	DRILL GREASE LINE .....	2201A-6
2I13	DRILL RETURN LINE .....	2201A-8
1D17	DRIVE GEAR, FUEL INJECTION PUMP .....	0413-4
1E11	DRIVE, STARTER .....	0422-2
3G13	DUAL CONTROL HANDLE WITH WIRING .....	3360-82
2D14	DUCT, AIR CONDITIONER .....	1830-10
2E9	DUCT, AIR CONDITIONER .....	1830-30
2E11	DUCT, AIR CONDITIONER .....	1830-32
2E15	DUCT, AIR, AIR CONDITIONING .....	1830-36
2D6	DUCT, HEATER .....	1830-2
1F5	D10W HEATER KIT .....	0505-4
1F7	D10W, HEATER .....	0505-6

E

1H1	E MODE INDICATOR.....	1674-4
3B10	EAR ASSEMBLY, DITCH CLEANING BUCKET .....	3302-4
3B8	EAR ASSEMBLY, GENERAL PURPOSE BUCKET .....	3302-2
1D10	ELBOW, VENTILATOR HOSE .....	0408-1
1H7	ELECTRIC PARTS (BATTERY).....	1674-10
1H11	ELECTRIC PARTS (MAIN WIRE HARENSS).....	1674-14
1H24	ELECTRIC PARTS (MAIN WIRE HARENSS).....	1674-30
1H5	ELECTRIC PARTS (RELAYS).....	1674-8
1H9	ELECTRIC PARTS (START SWITCH) .....	1674-12
1H3	ELECTRIC PARTS (WIRE HARNESS, FUSES).....	1674-6
1H19	ELECTRICAL WIRING HARNESS KIT .....	1674-22
1I7	ELECTRICAL WIRING HARNESS KIT .....	1674-38
2G5	ELECTRICAL WIRING HARNESS KIT .....	1919-2
1G3	ELEMENT, AIR CLEANER FILTER.....	0520-2
2H13	ELEMENT, FILTER, OIL TANK .....	2160-12
1E6	ELEMENT, FUEL FILTER .....	0420-2
1G13	ELEMENT, FUEL FILTER WITH WATER SEPARATOR .....	0560-6
1F24	ENGINE CONTROL .....	0515-2
1F24	ENGINE CONTROL MOTOR.....	0515-2
1G1	ENGINE CONTROL UNIT ON CONSOLE .....	0515-4
1G1	ENGINE CONTROLLER ON CONSOLE.....	0515-4
1E4	ENGINE COOLANT ADAPTER .....	0419-2

GRID		PAGE
2F17	ENGINE COVER .....	1910-22
1E21	ENGINE FLYWHEEL .....	0433-1
1E22	ENGINE FLYWHEEL HOUSING .....	0433-2
1D3	ENGINE FRONT PLATE .....	0404-6
1E24	ENGINE MAJOR OVERHAUL GASKET SET .....	0452-2
1C14	ENGINE MOUNTING .....	0400-2
1C23	ENGINE OIL BY-PASS VALVE .....	0404-2
1E4	ENGINE OIL COOLER.....	0419-2
1D7	ENGINE OIL DIPSTICK .....	0407-4
1D7	ENGINE OIL DIPSTICK TUBE .....	0407-4
1C21	ENGINE OIL FILL PLUG .....	0402-6
1D5	ENGINE OIL FILTER/ADAPTER .....	0407-2
1H1	ENGINE OIL LEVEL LIGHT.....	1674-4
1D9	ENGINE OIL PAN.....	0407-6
1H1	ENGINE OIL PRESSURE LIGHT .....	1674-4
1D8	ENGINE OIL PUMP .....	0407-5
1D8	ENGINE OIL PUMP GEAR .....	0407-5
1D8	ENGINE OIL PUMP HOUSING .....	0407-5
1D8	ENGINE OIL PUMP INTAKE .....	0407-5
2D20	ENGINE PIPING TO AIR CONDITIONER.....	1830-16
1G11	ENGINE PIPING TO FUEL TANK.....	0560-4
2D12	ENGINE PIPING TO HEATER.....	1830-8
1G11	ENGINE PIPING TO WATER SEPARATOR.....	0560-4
1C22	ENGINE PISTON .....	0403-1
1D1	ENGINE SHORT BLOCK.....	0404-4
1F24	ENGINE SPEED CONTROL .....	0515-2
2H5	ENGINE SPEED SENSOR .....	2160-4
1C14	ENGINE TEMPERATURE SWITCH .....	0400-2
1H17	ENGINE TEMPERATURE SWITCH .....	1674-20
1I5	ENGINE TEMPERATURE SWITCH .....	1674-36
1E2	ENGINE THERMOSTAT .....	0418-2
1D10	ENGINE VENTILATOR HOSE .....	0408-1
3B12	ESCO BUCKET CUTTING EDGES.....	3302-6
1F3	ETHER START FLUID CYLINDER .....	0505-2
1F3	ETHER VALVE .....	0505-2
2D24	EVAPORATOR, AIR CONDITIONER.....	1830-20
1D13	EXHAUST MANIFOLD .....	0410-2
1D13	EXHAUST MANIFOLD GASKET .....	0410-2
1G7	EXHAUST PIPE .....	0530-2
1D11	EXHAUST VALVE .....	0409-2
2G15	EXTINGUISHER, FIRE (TYPE II) .....	2003-2

F

1E19	FAN BELT .....	0429-6
1F23	FAN BLADE .....	0510-10
1F23	FAN BLADE SPACER .....	0510-10
2E17	FAN BLADE, AIR CIRCULATING .....	1830-38
2E17	FAN BLADE, DEFROSTER FAN.....	1830-38
1E17	FAN DRIVE HOUSING.....	0429-4
1E17	FAN DRIVE HUB .....	0429-4
1E17	FAN DRIVE PULLEY .....	0429-4
1E17	FAN DRIVE SUPPORT .....	0429-4
1F17	FAN GUARD.....	0510-4
1F17	FAN SHROUD .....	0510-4
2E3	FAN, AIR CONDITIONER BLOWER .....	1830-24
2E17	FAN, DEFROSTER.....	1830-38
1D24	FILTER OIL LINE TO TURBOCHARGER .....	0416-3
2H19	FILTER RESTRICTION INDICATOR, HYDRAULIC .....	2160-18
1D5	FILTER/ADAPTER, ENGINE OIL.....	0407-2
1G3	FILTER, AIR CLEANER .....	0520-2
2E1	FILTER, AIR CONDITIONER .....	1830-22
2E11	FILTER, AIR CONDITIONER.....	1830-32
1E6	FILTER, FUEL .....	0420-2
1G13	FILTER, FUEL WITH WATER SEPARATOR, COMPONENTS .....	0560-6

ALPHABETICAL INDEX - CONTINUED

GRID		PAGE	GRID		PAGE
2H13	FILTER, OIL TANK.....	2160-12	1D21	FUEL INJECTION PUMP SOLENOID SHUT-OFF .....	0413-8
1D25	FILTER, WATER PUMP.....	0417-2	1D19	FUEL INJECTION PUMP THROTTLE LEVER .....	0413-6
1G11	FILTER, WATER SEPARATOR .....	0560-4	1D15	FUEL INJECTION SYSTEM.....	0413-2
2B9	FIRE EXTINGUISHER (TYPE I) .....	1810-6	1H1	FUEL LEVEL LIGHT.....	1674-4
2G15	FIRE EXTINGUISHER (TYPE II) .....	2003-2	2I18	FUEL LINES KIT, COMPRESSOR- EXCAVATOR .....	2201A-14
2H5	FLEX COUPLING, PUMP.....	2160-4	1G11	FUEL PIPINGS.....	0560-4
1G9	FLOAT, FUEL TANK .....	0560-2	1G9	FUEL TANK .....	0560-2
2C13	FLOOR MAT.....	1810-34	1G11	FUEL TANK PIPING TO ENGINE .....	0560-4
2C15	FLOOR PLATE .....	1810-36	1G11	FUEL TANK PIPING TO WATER SEPARATOR .....	0560-4
3E23	FLOW CONTROL VALVE .....	3360-44	1D19	FUEL TRANSFER PUMP.....	0413-6
3F1	FLOW CONTROL VALVE .....	3360-46	1E9	FUEL TRANSFER PUMP COVER.....	0421-2
3F21	FLOW CONTROL VALVE .....	3360-66	1H11	FUSE, ON MAIN WIRE HARNESS .....	1674-14
3E23	FLOW CONTROL VALVE PIPINGS TO CONTROL VALVE .....	3360-44	1H24	FUSE, ON MAIN WIRE HARNESS .....	1674-30
3F1	FLOW CONTROL VALVE PIPINGS TO CONTROL VALVE .....	3360-46	1H3	FUSES .....	1674-6
3F9	FLOW CONTROL VALVE PIPINGS TO FRONT PILOT VALVE.....	3360-54	1H11	FUSIBLE LINK .....	1674-14
3F11	FLOW CONTROL VALVE PIPINGS TO FRONT PILOT VALVE.....	3360-56	1H24	FUSIBLE LINK .....	1674-30
3F15	FLOW CONTROL VALVE PIPINGS TO LOCK VALVE .....	3360-60	<b>G</b>		
1G20	FLUID ANALYSIS PRODUCTS .....	1369-5	1E23	GASKET SET, CYLINDER HEAD REMOVAL .....	0452-1
1E21	FLYWHEEL RING GEAR.....	0433-1	1E24	GASKET SET, ENGINE MAJOR OVERHAUL .....	0452-2
1E21	FLYWHEEL, ENGINE.....	0433-1	1E23	GASKET SET, IN CHASSIS OVERHAUL .....	0452-1
1E22	FLYWHEEL, ENGINE HOUSING.....	0433-2	1D11	GASKET, CYLINDER HEAD .....	0409-2
3D1	FOOT CONTROL LABEL.....	3315-18	1D13	GASKET, EXHAUST MANIFOLD .....	0410-2
3D1	FOOT CONTROL, REPLACEMENT, AUXILIARY .....	3315-18	1C17	GASKET, TIMING GEAR COVER .....	0402-2
3G11	FOOT SWITCH, AUXILIARY ELECTRIC .....	3360-80	1C21	GASKET,ROCKER ARM COVER .....	0402-6
3D1	FOOT VALVE, AUXILIARY CONTROL .....	3315-18	2H13	GAUGE, LEVEL, OIL TANK.....	2160-12
3C17	FOOTREST.....	3315-10	3H14	GAUGE, LEVEL, SWING DEVICE .....	4360-2
1I22	FRAME .....	1740-2	1C20	GEAR, CAMSHAFT .....	0402-5
2I4	FRAME, COMPRESSOR .....	2200-2	1C16	GEAR, CRANKSHAFT .....	0401-1
1A22	FRAME, TRACK.....	0130-2	1D8	GEAR, ENGINE OIL PUMP.....	0407-5
2D16	FREON TANK.....	1830-12	1D17	GEAR, FUEL INJECTION PUMP .....	0413-4
1B3	FRONT IDLER .....	0130-8	2H11	GEAR, PUMP, COMPONENTS .....	2160-10
3C11	FRONT PILOT VALVE.....	3315-4	3B8	GENERAL PURPOSE BUCKET .....	3302-2
3C13	FRONT PILOT VALVE COMPONENTS .....	3315-6	2B13	GLASS, CAB DOOR .....	1810-10
3F9	FRONT PILOT VALVE PIPINGS TO FLOW CONTROL VALVE .....	3360-54	2B15	GLASS, CAB DOOR .....	1810-12
3F11	FRONT PILOT VALVE PIPINGS TO FLOW CONTROL VALVE .....	3360-56	2B17	GLASS, CAB FRONT WINDOW .....	1810-14
3F9	FRONT PILOT VALVE PIPINGS TO LOCK VALVE.....	3360-54	2B19	GLASS, CAB FRONT WINDOW .....	1810-16
3F11	FRONT PILOT VALVE PIPINGS TO LOCK VALVE.....	3360-56	2B11	GLASS, CAB REAR AND LEFT SIDE .....	1810-8
3F17	FRONT PIPING.....	3360-62	2B21	GLASS, CAB RIGHT SIDE WINDOW .....	1810-18
3D13	FRONT PIPINGS TO CONTROL VALVE .....	3360-10	1J5	GREASE BATH COVER, SWING BEARING .....	1740-10
3D3	FRONT PIPINGS, STANDARD ARM ASSEMBLY .....	3340-2	2I11	GREASE LINE, DRILL .....	2201A-6
1D3	FRONT PLATE, ENGINE .....	0404-6	2I16	GRILLE, COMPRESSOR .....	2201A-12
1E6	FUEL FILTER .....	0420-2	3C9	GRIP, CONTROL LEVER.....	3315-2
1E6	FUEL FILTER BRACKET .....	0420-2	3C15	GRIP, PROPEL CONTROL LEVER .....	3315-8
1E6	FUEL FILTER ELEMENT .....	0420-2	1H7	GROUND STRAP .....	1674-10
1E6	FUEL FILTER HEAD .....	0420-2	1F17	GUARD, FAN .....	0510-4
1G13	FUEL FILTER HOUSING .....	0560-6	2G10	GUARD, LOWER FRONT WINDSHIELD .....	1913B-2
1G13	FUEL FILTER KIT .....	0560-6	1A24	GUARD, TRACK.....	0130-4
1E8	FUEL FILTER LINES .....	0420-4	2E22	GUARDS, WINDOW.....	1910-2
1G11	FUEL FILTER WATER SEPARATOR .....	0560-4	1B1	GUIDE, TRACK LINK .....	0130-6
1G13	FUEL FILTER WITH WATER SEPARATOR, COMPONENTS .....	0560-6	<b>H</b>		
1H1	FUEL GAUGE.....	1674-4	2B9	HAMMER, ESCAPE .....	1810-6
1D15	FUEL INJECTION LINES .....	0413-2	1G13	HAND PRIMER, FUEL FILTER WITH WATER SEPARATOR .....	0560-6
1D14	FUEL INJECTION NOZZLE .....	0413-1	1D19	HAND PRIMER, INJECTION PUMP .....	0413-6
1D17	FUEL INJECTION PUMP .....	0413-4	2F19	HANDHOLD, RIGHT SIDE.....	1910-24
1D17	FUEL INJECTION PUMP ANEROID LINE .....	0413-4	2B13	HANDLE, CAB DOOR .....	1810-10
1D19	FUEL INJECTION PUMP CONTROL LEVER.....	0413-6	2B15	HANDLE, CAB DOOR .....	1810-12
1D19	FUEL INJECTION PUMP CONTROL VALVE.....	0413-6	2B17	HANDLE, CAB FRONT UPPER .....	1810-14
1D19	FUEL INJECTION PUMP HAND PRIMER .....	0413-6	2B19	HANDLE, CAB FRONT UPPER .....	1810-16
1D19	FUEL INJECTION PUMP LEVERS .....	0413-6	3G13	HANDLE, PILOT DUAL CONTROL.....	3360-82
1D19	FUEL INJECTION PUMP SHUT-OFF LEVER .....	0413-6			

ALPHABETICAL INDEX - CONTINUED

GRID	PAGE	GRID	PAGE
2B13	HANDRAIL, INSIDE DOOR ..... 1810-10	3D19	HOSE, CONTROL VALVE TO MAIN PIPINGS..... 3360-16
2B15	HANDRAIL, INSIDE DOOR ..... 1810-12	3F13	HOSE, CONTROL VALVE TO OIL FILTER ..... 3360-58
2B11	HANDRAIL, LEFT SIDE ..... 1810-8	3D5	HOSE, CONTROL VALVE TO OIL TANK..... 3360-2
3G13	HARNESS, SOLENOID VALVE DUAL CONTROL ..... 3360-82	3F3	HOSE, CONTROL VALVE TO OIL TANK..... 3360-48
1H3	HARNESS, WIRE ..... 1674-6	3F13	HOSE, CONTROL VALVE TO OIL TANK..... 3360-58
2D24	HARNESS, WIRE, AIR CONDITIONER ..... 1830-20	3D7	HOSE, CONTROL VALVE TO RADIATOR ..... 3360-4
2D16	HARNESS, WIRE, AIR CONDITIONER COMPRESSOR ..... 1830-12	3E17	HOSE, CONTROL VALVE TO SOLENOID VALVE ..... 3360-38
2E17	HARNESS, WIRE, DEFROSTER FAN ..... 1830-38	3E21	HOSE, CONTROL VALVE TO SOLENOID VALVE ..... 3360-42
3G11	HARNESS, WIRE, FOOT SWITCH ..... 3360-80	3D9	HOSE, CONTROL VALVE TO SWING DEVICE ..... 3360-6
2D8	HARNESS, WIRE, HEATER ..... 1830-4	3D15	HOSE, CONTROL VALVE TO SWING DEVICE ..... 3360-12
1H19	HARNESS, WIRING, KIT ..... 1674-22	3E21	HOSE, CONTROL VALVE TO SWING DEVICE ..... 3360-42
1I7	HARNESS, WIRING, KIT ..... 1674-38	3F5	HOSE, CONTROL VALVE TO TRAVEL PILOT VALVE ..... 3360-50
2G5	HARNESS, WIRING, KIT ..... 1919-2	2D20	HOSE, ENGINE TO AIR CONDITIONER ..... 1830-16
2F21	HASP, SECURITY, TOOL BOX..... 1910-26	1G11	HOSE, ENGINE TO FUEL TANK ..... 0560-4
2B23	HATCH, CAB TOP ..... 1810-20	2D12	HOSE, ENGINE TO HEATER ..... 1830-8
2C23	HEAD RESTRAINT, SEAT..... 1821-2	1F19	HOSE, ENGINE TO RADIATOR ..... 0510-6
1D11	HEAD, CYLINDER ..... 0409-2	1G11	HOSE, ENGINE TO WATER SEPARATOR ..... 0560-4
1E6	HEAD, FUEL FILTER ..... 0420-2	1D10	HOSE, ENGINE VENTILATOR ..... 0408-1
2B11	HEADLINER, CAB TOP ..... 1810-8	3E23	HOSE, FLOW CONTROL VALVE TO CONTROL VALVE ..... 3360-44
2B23	HEADLINER, CAB TOP HATCH ..... 1810-20	3F1	HOSE, FLOW CONTROL VALVE TO CONTROL VALVE ..... 3360-46
2D6	HEATER ..... 1830-2	3F9	HOSE, FLOW CONTROL VALVE TO FRONT PILOT VALVE..... 3360-54
1F9	HEATER CABLE..... 0505-8	3F11	HOSE, FLOW CONTROL VALVE TO FRONT PILOT VALVE..... 3360-56
1F10	HEATER CABLE..... 0505-9	3F15	HOSE, FLOW CONTROL VALVE TO LOCK VALVE..... 3360-60
2D8	HEATER COMPONENTS..... 1830-4	3F9	HOSE, FRONT PILOT VALVE TO FLOW CONTROL VALVE ..... 3360-54
2D6	HEATER CONTROL..... 1830-2	3F11	HOSE, FRONT PILOT VALVE TO FLOW CONTROL VALVE ..... 3360-56
2D10	HEATER CONTROLLER ..... 1830-6	3F9	HOSE, FRONT PILOT VALVE TO LOCK VALVE ..... 3360-54
1F7	HEATER D10W..... 0505-6	3F11	HOSE, FRONT PILOT VALVE TO LOCK VALVE ..... 3360-56
1F8	HEATER D10W..... 0505-7	3D13	HOSE, FRONT TO CONTROL VALVE ..... 3360-10
2D12	HEATER PIPING ..... 1830-8	1G11	HOSE, FUEL TANK TO ENGINE ..... 0560-4
2D12	HEATER PIPING TO ENGINE..... 1830-8	1G11	HOSE, FUEL TANK TO WATER SEPARATOR ..... 0560-4
1E1	HEATER VALVE, DRAIN, WATER PUMP ..... 0417-3	2D12	HOSE, HEATER TO ENGINE ..... 1830-8
2I16	HOOD, COMPRESSOR ..... 2201A-12	2H17	HOSE, HYDRAULIC PUMP TO CONTROL VALVE ..... 2160-16
2E19	HOOKS, J ..... 1801A-2	2H15	HOSE, HYDRAULIC PUMP TO OIL TANK..... 2160-14
1H13	HORN ..... 1674-16	3E19	HOSE, HYDRAULIC PUMP TO OIL TANK..... 3360-40
1I1	HORN ..... 1674-32	3F15	HOSE, LOCK VALVE TO FLOW CONTROL VALVE..... 3360-60
1H13	HORN, WIRE HARNESS ..... 1674-16	3F9	HOSE, LOCK VALVE TO FRONT PILOT VALVE ..... 3360-54
1I1	HORN, WIRE HARNESS ..... 1674-32	3F11	HOSE, LOCK VALVE TO FRONT PILOT VALVE ..... 3360-56
3H6	HOSE REEL ..... 3362A-3	3F15	HOSE, LOCK VALVE TO OIL FILTER ..... 3360-60
1G5	HOSE, AIR CLEANER ..... 0520-4	3F7	HOSE, LOCK VALVE TO TRAVEL PILOT VALVE ..... 3360-52
2D16	HOSE, AIR CONDITIONER COMPRESSOR TO CONDENSER..... 1830-12	3D19	HOSE, MAIN TO CONTROL VALVE ..... 3360-16
2D16	HOSE, AIR CONDITIONER CONDENSER TO COMPRESSOR ..... 1830-12	3F13	HOSE, OIL FILTER TO CONTROL VALVE ..... 3360-58
2D16	HOSE, AIR CONDITIONER CONDENSOR TO TANK ..... 1830-12	3F15	HOSE, OIL FILTER TO LOCK VALVE ..... 3360-60
2D18	HOSE, AIR CONDITIONER TO COMPRESSOR ..... 1830-14	3F7	HOSE, LOCK VALVE TO TRAVEL PILOT VALVE ..... 3360-52
2D20	HOSE, AIR CONDITIONER TO ENGINE ..... 1830-16	3D19	HOSE, MAIN TO CONTROL VALVE ..... 3360-16
2D18	HOSE, AIR CONDITIONER TO RECEIVING TANK ..... 1830-14	3F13	HOSE, OIL FILTER TO CONTROL VALVE ..... 3360-58
1F17	HOSE, AIR COOLER ..... 0510-4	3F15	HOSE, OIL FILTER TO LOCK VALVE ..... 3360-60
3D11	HOSE, BOOM BOTTOM TO BOOM CYLINDER ..... 3360-8	3F13	HOSE, OIL FILTER TO OIL TANK ..... 3360-58
3D11	HOSE, BOOM CYLINDER TO BOOM BOTTOM PIPINGS ..... 3360-8	3D5	HOSE, OIL TANK TO CONTROL VALVE..... 3360-2
3D11	HOSE, BOOM CYLINDER TO CONTROL VALVE..... 3360-8	3F3	HOSE, OIL TANK TO CONTROL VALVE..... 3360-48
3D17	HOSE, CENTER JOINT TO CONTROL VALVE ..... 3360-14	3F13	HOSE, OIL TANK TO CONTROL VALVE..... 3360-58
3D9	HOSE, CENTER JOINT TO RETURN PIPINGS ..... 3360-6	2H15	HOSE, OIL TANK TO HYDRAULIC PUMP..... 2160-14
3E21	HOSE, CENTER JOINT TO SOLENOID VALVE ..... 3360-42	3E19	HOSE, OIL TANK TO HYDRAULIC PUMP..... 3360-40
1C7	HOSE, CENTER JOINT TO TRAVEL DEVICE ..... 0260-20	3F13	HOSE, OIL TANK TO OIL FILTER ..... 3360-58
2D18	HOSE, COMPRESSOR TO AIR CONDITIONER ..... 1830-14	3D5	HOSE, OIL TANK TO RADIATOR..... 3360-2
3D11	HOSE, CONTROL VALVE TO BOOM CYLINDER..... 3360-8	3F5	HOSE, PROPEL PILOT VALVE TO CONTROL VALVE ..... 3360-50
3D17	HOSE, CONTROL VALVE TO CENTER JOINT..... 3360-14	3D7	HOSE, RADIATOR TO CONTROL VALVE ..... 3360-4
3E23	HOSE, CONTROL VALVE TO FLOW CONTROL VALVE ..... 3360-44	1F19	HOSE, RADIATOR TO ENGINE ..... 0510-6
3F1	HOSE, CONTROL VALVE TO FLOW CONTROL VALVE ..... 3360-46	3D5	HOSE, RADIATOR TO OIL TANK..... 3360-2
3D13	HOSE, CONTROL VALVE TO FRONT PIPINGS ..... 3360-10	1F21	HOSE, RADIATOR TO WATER TANK ..... 0510-8
2H17	HOSE, CONTROL VALVE TO HYDRAULIC PUMP ..... 2160-16	2D18	HOSE, RECEIVING TANK TO AIR CONDITIONER..... 1830-14
		3D1	HOSE, REPLACEMENT, CONTROL VALVE TO AUXILIARY FOOT VALVE..... 3315-18



ALPHABETICAL INDEX - CONTINUED

GRID	PAGE	GRID	PAGE
1F21	HOSE, RESERVE WATER TANK .....	0510-8	
3D9	HOSE, RETURN TO CENTER JOINT .....	3360-6	
3D9	HOSE, RETURN TO SWING DEVICE .....	3360-6	
3E21	HOSE, ROTARY MANIFOLD TO SOLENOID VALVE .....	3360-42	
1C7	HOSE, ROTARY MANIFOLD TO TRAVEL DEVICE .....	0260-20	
3E21	HOSE, SOLENOID VALVE TO CENTER JOINT .....	3360-42	
3E17	HOSE, SOLENOID VALVE TO CONTROL VALVE .....	3360-38	
3E21	HOSE, SOLENOID VALVE TO CONTROL VALVE .....	3360-42	
3F15	HOSE, SOLENOID VALVE TO LOCK VALVE .....	3360-60	
3E21	HOSE, SOLENOID VALVE TO ROTARY MANIFOLD .....	3360-42	
3E17	HOSE, SOLENOID VALVE TO SWING DEVICE .....	3360-38	
3D3	HOSE, STANDARD ARM ASSEMBLY .....	3340-2	
3D9	HOSE, SWING DEVICE TO CONTROL VALVE .....	3360-6	
3D15	HOSE, SWING DEVICE TO CONTROL VALVE .....	3360-12	
3E21	HOSE, SWING DEVICE TO CONTROL VALVE .....	3360-42	
3D9	HOSE, SWING DEVICE TO RETURN PIPINGS .....	3360-6	
3E17	HOSE, SWING DEVICE TO SOLENOID VALVE .....	3360-38	
1C7	HOSE, TRAVEL DEVICE TO CENTER JOINT.....	0260-20	
1C7	HOSE, TRAVEL DEVICE TO ROTARY MANIFOLD .....	0260-20	
3F5	HOSE, TRAVEL PILOT VALVE TO CONTROL VALVE .....	3360-50	
3F7	HOSE, TRAVEL PILOT VALVE TO LOCK VALVE .....	3360-52	
1G11	HOSE, WATER SEPARATOR TO ENGINE .....	0560-4	
1G11	HOSE, WATER SEPARATOR TO FUEL TANK .....	0560-4	
1F21	HOSE, WATER TANK TO RADIATOR .....	0510-8	
2B9	HOSE, WINDSHIELD WASHER .....	1810-6	
3G17	HOSES, BOOM CYLINDER LOAD LOWERING.....	3360-86	
3G21	HOSES, BOOM CYLINDER LOAD LOWERING.....	3360-90	
3D1	HOSES, REPLACEMENT, AUXILIARY FOOT VAVLE TO MAIN HYDRAULIC VAVLE .....	3315-18	
2C7	HOURLY METER .....	1810-28	
1E22	HOUSING, ENGINE FLYWHEEL.....	0433-2	
1D8	HOUSING, ENGINE OIL PUMP .....	0407-5	
1E17	HOUSING, FAN DRIVE .....	0429-4	
1G13	HOUSING, FUEL FILTER WITH WATER SEPARATOR .....	0560-6	
1E2	HOUSING, THERMOSTAT.....	0418-2	
1H1	HP MODE INDICATOR .....	1674-4	
1E17	HUB, FAN DRIVE.....	0429-4	
3H1	HYDRAULIC CONNECTIONS .....	3360-94	
2H19	HYDRAULIC FILTER RESTRICTION INDICATOR KIT .....	2160-18	
3H4	HYDRAULIC KIT, CF F/HYEX.....	3301A-2	
3C7	HYDRAULIC KIT, QUICK LATCH ASSEMBLY.....	3302-26	
1H1	HYDRAULIC OIL LEVEL LIGHT .....	1674-4	
2H3	HYDRAULIC PUMP .....	2160-2	
2H5	HYDRAULIC PUMP COMPONENTS.....	2160-4	
2H17	HYDRAULIC PUMP PIPINGS TO CONTROL VALVE .....	2160-16	
2H15	HYDRAULIC PUMP PIPINGS TO OIL TANK .....	2160-14	
2H7	HYDRAULIC PUMP UNIT (COMPONENTS).....	2160-6	
2H24	HYDRAULIC QUICK COUPLERS F/AUXILIARY LINES .....	2163A-1	
2I2	HYDRAULIC QUICK COUPLERS, F/ROCK DRILL.....	2163B-1	
2H13	HYDRAULIC RESERVOIR .....	2160-12	
3C1	HYDRAULIC THUMB AND CYLINDER.....	3302-20	
3C3	HYDRAULIC THUMB AND CYLINDER.....	3302-22	
I			
1E19	IDLER PULLEY.....	0429-6	
1B3	IDLER, FRONT.....	0130-8	
1H9	IGNITION .....	1674-12	
1D25	IMPELLER, WATER PUMP .....	0417-2	
1E23	IN CHASSIS OVERHAUL GASKET SET .....	0452-1	
1G3	INDICATOR, AIR CLEANER .....	0520-2	
2H19	INDICATOR, HYDRAULIC FILTER .....	2160-18	
1D19	INJECTION PUMP CONTROL LEVER .....	0413-6	
1D19	INJECTION PUMP CONTROL VALVE .....	0413-6	
1D19	INJECTION PUMP HAND PRIMER.....	0413-6	
1D19	INJECTION PUMP LEVERS .....	0413-6	
1D19	INJECTION PUMP SHUT-OFF LEVER.....	0413-6	
1D19	INJECTION PUMP THROTTLE LEVER .....	0413-6	
1E1	INLET, WATER PUMP.....	0417-3	
1D22	INTAKE SYSTEM, AIR.....	0414-1	
1D11	INTAKE VALVE .....	0409-2	
1D8	INTAKE, ENGINE OIL PUMP .....	0407-5	
J			
2E19	J HOOKS .....	1801A-2	
1C3	JOINT, CENTER.....	0260-16	
1B14	JOINT, CENTER, ATTACHMENTS .....	0260-2	
K			
2B13	KEY, CAB DOOR .....	1810-10	
2B15	KEY, CAB DOOR .....	1810-12	
2G3	KEY, DOOR LOCK.....	1910-32	
1G9	KEY, FUEL TANK CAP .....	0560-2	
1H9	KEY, IGNITION.....	1674-12	
2E22	KEY, VANDAL PROTECTION .....	1910-2	
2E22	KEY, WINDOW GUARDS .....	1910-2	
2E17	KIT, AIR CIRCULATION FAN .....	1830-38	
2H22	KIT, ANTI-DRIFT F/BUCKET CYLINDER .....	2162A-2	
1F11	KIT, ARCTIC START (TYPE I) .....	0505-10	
1F13	KIT, ARCTIC START, (TYPE II) .....	0505-12	
1H20	KIT, ATTACHMENT MODE .....	1674-24	
1I8	KIT, ATTACHMENT MODE .....	1674-40	
3G15	KIT, AUXILIARY SPOOL CONTROL W/FLOW CONTROL .....	3360-84	
3G17	KIT, BOOM CYLINDER LOAD LOWERING VALVE.....	3360-86	
3G19	KIT, BOOM CYLINDER LOAD LOWERING VALVE.....	3360-88	
3G21	KIT, BOOM CYLINDER LOAD LOWERING VALVE.....	3360-90	
3G15	KIT, CONTROL, W/FLOW, AUXILIARY SPOOL CONTROL.....	3360-84	
2I15	KIT, COOLANT.....	2201A-11	
1E23	KIT, CYLINDER HEAD REMOVAL GASKET .....	0452-1	
1C22	KIT, CYLINDER LINER O-RING .....	0403-1	
2E17	KIT, DEFROSTER FAN .....	1830-38	
1F5	KIT, D10W HEATER.....	0505-4	
1E24	KIT, ENGINE MAJOR OVERHAUL GASKET .....	0452-2	
2I18	KIT, FUEL LINES, COMPRESSOR - EXCAVATOR .....	2201A-14	
2H19	KIT, HYDRAULIC FILTER RESTRICTION INDICATOR .....	2160-18	
3H4	KIT, HYDRAULIC, CF F/HYEX .....	3301A-2	
1E6	KIT, MECHANICAL, FUEL FILTER .....	0420-2	
1G18	KIT, O-RING, METRIC .....	1369-2	
2C9	KIT, RADIO.....	1810-30	
1E6	KIT, SEAL FUEL FILTER.....	0420-2	
3G7	KIT, SEAL, ARM CYLINDER .....	3360-76	
3G9	KIT, SEAL, BUCKET CYLINDER.....	3360-78	
1G13	KIT, SEAL, FUEL FILTER WITH WATER SEPARATOR .....	0560-6	
3G5	KIT, SEAL, LEFT BOOM CYLINDER .....	3360-74	
2H11	KIT, SEAL, PUMP GEAR.....	2160-10	
3G3	KIT, SEAL, RIGHT BOOM CYLINDER .....	3360-72	
2C23	KIT, SEAT STAND KNOB .....	1821-2	
3D3	KIT, STANDARD ARM ASSEMBLY .....	3340-2	

ALPHABETICAL INDEX - CONTINUED

GRID		PAGE	GRID		PAGE
1E11	KIT, STARTER SOLENOID .....	0422-2	3E23	LINE, CONTROL VALVE TO FLOW CONTROL VALVE .....	3360-44
1E10	KIT, STARTING MOTOR .....	0422-1	3F1	LINE, CONTROL VALVE TO FLOW CONTROL VALVE .....	3360-46
1D23	KIT, TURBOCHARGER HARDWARE .....	0416-2	3D13	LINE, CONTROL VALVE TO FRONT PIPINGS .....	3360-10
2E22	KIT, VANDAL PROTECTION .....	1910-2	2H17	LINE, CONTROL VALVE TO HYDRAULIC PUMP .....	2160-16
1E6	KIT, VENT, FUEL FILTER .....	0420-2	3D19	LINE, CONTROL VALVE TO MAIN PIPINGS .....	3360-16
1D25	KIT, WATER PUMP .....	0417-2	3F13	LINE, CONTROL VALVE TO OIL FILTER .....	3360-58
2E22	KIT, WINDOW GUARDS .....	1910-2	3D5	LINE, CONTROL VALVE TO OIL TANK .....	3360-2
1H19	KIT, WIRING HARNESS .....	1674-22	3F3	LINE, CONTROL VALVE TO OIL TANK .....	3360-48
1I7	KIT, WIRING HARNESS .....	1674-38	3F13	LINE, CONTROL VALVE TO OIL TANK .....	3360-58
2G5	KIT, WIRING HARNESS .....	1919-2	3D7	LINE, CONTROL VALVE TO RADIATOR .....	3360-4
2C23	KNOB KIT, SEAT STAND .....	1821-2	3E17	LINE, CONTROL VALVE TO SOLENOID VALVE .....	3360-38
2D10	KNOB, HEATER CONTROLLER .....	1830-6	3E21	LINE, CONTROL VALVE TO SOLENOID VALVE .....	3360-42
			3D9	LINE, CONTROL VALVE TO SWING DEVICE .....	3360-6
	<b>L</b>		3D15	LINE, CONTROL VALVE TO SWING DEVICE .....	3360-12
3G11	LABEL, AUXILIARY CONTROL .....	3360-80	3E21	LINE, CONTROL VALVE TO SWING DEVICE .....	3360-42
1E11	LABEL, BYPASS START .....	0422-2	3F5	LINE, CONTROL VALVE TO TRAVEL PILOT VALVE .....	3360-50
2H19	LABEL, HYDRAULIC FILTER RESTRICTION INDICATOR .....	2160-18	2D20	LINE, ENGINE TO AIR CONDITIONER .....	1830-16
1E10	LABEL, STARTING MOTOR .....	0422-1	1G11	LINE, ENGINE TO FUEL TANK .....	0560-4
3D1	LABEL, AUXILIARY FOOT CONTROL .....	3315-18	2D12	LINE, ENGINE TO HEATER .....	1830-8
1G16	LABELS AND DECALS .....	1320-2	1F19	LINE, ENGINE TO RADIATOR .....	0510-6
3C5	LATCH ASSEMBLY, QUICK .....	3302-24	1G11	LINE, ENGINE TO WATER SEPARATOR .....	0560-4
2F23	LATCH, DOOR LOCK, TOOL BOX .....	1910-28	3E23	LINE, FLOW CONTROL VALVE TO CONTROL VALVE .....	3360-44
1D15	LEAK-OFF LINE, FUEL .....	0413-2	3F1	LINE, FLOW CONTROL VALVE TO CONTROL VALVE .....	3360-46
1D15	LEAK-OFF TEE, FUEL .....	0413-2	3F9	LINE, FLOW CONTROL VALVE TO FRONT PILOT VALVE .....	3360-54
3G5	LEFT BOOM CYLINDER .....	3360-74	3F11	LINE, FLOW CONTROL VALVE TO FRONT PILOT VALVE .....	3360-56
2G13	LEFT REAR VIEW MIRROR .....	2002-2	3F15	LINE, FLOW CONTROL VALVE TO LOCK VALVE .....	3360-60
2H13	LEVEL GAUGE, OIL TANK .....	2160-12	3F9	LINE, FRONT PILOT VALVE TO FLOW CONTROL VALVE .....	3360-54
1F21	LEVEL SWITCH, RESERVE WATER TANK .....	0510-8	3F11	LINE, FRONT PILOT VALVE TO FLOW CONTROL VALVE .....	3360-56
1G9	LEVEL, SWITCH, FUEL TANK .....	0560-2	3F9	LINE, FRONT PILOT VALVE TO LOCK VALVE .....	3360-54
3C23	LEVER DAMPENER, PROPEL .....	3315-16	3F11	LINE, FRONT PILOT VALVE TO LOCK VALVE .....	3360-56
3C23	LEVER DAMPENER, TRAVEL .....	3315-16	3D13	LINE, FRONT TO CONTROL VALVE .....	3360-10
3C9	LEVER, CONTROL .....	3315-2	1D15	LINE, FUEL INJECTION .....	0413-2
3D21	LEVER, LOCK .....	3360-18	1D17	LINE, FUEL INJECTION PUMP .....	0413-4
3C15	LEVER, PROPEL CONTROL .....	3315-8	1G11	LINE, FUEL TANK TO ENGINE .....	0560-4
1D19	LEVERS, FUEL INJECTION PUMP .....	0413-6	1G11	LINE, FUEL TANK TO WATER SEPARATOR .....	0560-4
2B9	LIGHT, DOME .....	1810-6	2D12	LINE, HEATER TO ENGINE .....	1830-8
2C5	LIGHTER .....	1810-26	2H17	LINE, HYDRAULIC PUMP TO CONTROL VALVE .....	2160-16
1I15	LIGHTS, BOOM .....	1673A-2	2H15	LINE, HYDRAULIC PUMP TO OIL TANK .....	2160-14
1I17	LIGHTS, CAB .....	1673A-4	3E19	LINE, HYDRAULIC PUMP TO OIL TANK .....	3360-40
1I19	LIGHTS, HOOD, REAR .....	1673A-6	3F15	LINE, LOCK VALVE TO FLOW CONTROL VALVE .....	3360-60
2I22	LINE, AIR .....	2201A-18	3F9	LINE, LOCK VALVE TO FRONT PILOT VALVE .....	3360-54
1G5	LINE, AIR CLEANER .....	0520-4	3F11	LINE, LOCK VALVE TO FRONT PILOT VALVE .....	3360-56
2D16	LINE, AIR CONDITIONER COMPRESSOR TO CONDENSER .....	1830-12	3F15	LINE, LOCK VALVE TO OIL FILTER .....	3360-60
2D16	LINE, AIR CONDITIONER CONDENSER TO COMPRESSOR .....	1830-12	3F15	LINE, LOCK VALVE TO SOLENOID VALVE .....	3360-60
2D16	LINE, AIR CONDITIONER CONDENSOR TO TANK .....	1830-12	3F7	LINE, LOCK VALVE TO TRAVEL PILOT VALVE .....	3360-52
2D16	LINE, AIR CONDITIONER TANK TO CONDENSOR .....	1830-12	3D19	LINE, MAIN TO CONTROL VALVE .....	3360-16
2D18	LINE, AIR CONDITIONER TO COMPRESSOR .....	1830-14	3F13	LINE, OIL FILTER TO CONTROL VALVE .....	3360-58
2D20	LINE, AIR CONDITIONER TO ENGINE .....	1830-16	3F15	LINE, OIL FILTER TO LOCK VALVE .....	3360-60
2D18	LINE, AIR CONDITIONER TO RECEIVING TANK .....	1830-14	3F13	LINE, OIL FILTER TO OIL TANK .....	3360-58
1F17	LINE, AIR COOLER .....	0510-4	3D5	LINE, OIL TANK TO CONTROL VALVE .....	3360-2
3D11	LINE, BOOM BOTTOM TO BOOM CYLINDER .....	3360-8	3F3	LINE, OIL TANK TO CONTROL VALVE .....	3360-48
3D11	LINE, BOOM CYLINDER TO BOOM BOTTOM PIPINGS .....	3360-8	3F13	LINE, OIL TANK TO CONTROL VALVE .....	3360-58
3D11	LINE, BOOM CYLINDER TO CONTROL VALVE .....	3360-8	2H15	LINE, OIL TANK TO HYDRAULIC PUMP .....	2160-14
3D17	LINE, CENTER JOINT TO CONTROL VALVE .....	3360-14	3E19	LINE, OIL TANK TO HYDRAULIC PUMP .....	3360-40
3D9	LINE, CENTER JOINT TO RETURN PIPINGS .....	3360-6	3F13	LINE, OIL TANK TO OIL FILTER .....	3360-58
3E21	LINE, CENTER JOINT TO SOLENOID VALVE .....	3360-42	3D5	LINE, OIL TANK TO RADIATOR .....	3360-2
1C7	LINE, CENTER JOINT TO TRAVEL DEVICE .....	0260-20	3F5	LINE, PROPEL PILOT VALVE TO CONTROL VALVE .....	3360-50
2D18	LINE, COMPRESSOR TO AIR CONDITIONER .....	1830-14			
3D11	LINE, CONTROL VALVE TO BOOM CYLINDER .....	3360-8			
3D17	LINE, CONTROL VALVE TO CENTER JOINT .....	3360-14			

ALPHABETICAL INDEX - CONTINUED

GRID	PAGE	GRID	PAGE
3D7	LINE, RADIATOR TO CONTROL VALVE .....		
1F19	LINE, RADIATOR TO ENGINE .....		
3D5	LINE, RADIATOR TO OIL TANK .....		
1F21	LINE, RADIATOR TO WATER TANK .....		
2D18	LINE, RECEIVING TANK TO AIR CONDITIONER .....		
3D9	LINE, RETURN TO CENTER JOINT .....		
3D9	LINE, RETURN TO SWING DEVICE .....		
3E21	LINE, ROTARY MANIFOLD TO SOLENOID VALVE .....		
1C7	LINE, ROTARY MANIFOLD TO TRAVEL DEVICE .....		
3E21	LINE, SOLENOID VALVE TO CENTER JOINT .....		
3E17	LINE, SOLENOID VALVE TO CONTROL VALVE .....		
3E21	LINE, SOLENOID VALVE TO CONTROL VALVE .....		
3F15	LINE, SOLENOID VALVE TO LOCK VALVE .....		
3E21	LINE, SOLENOID VALVE TO ROTARY MANIFOLD .....		
3E17	LINE, SOLENOID VALVE TO SWING DEVICE .....		
3D3	LINE, STANDARD ARM ASSEMBLY .....		
3D9	LINE, SWING DEVICE TO CONTROL VALVE .....		
3D15	LINE, SWING DEVICE TO CONTROL VALVE .....		
3E21	LINE, SWING DEVICE TO CONTROL VALVE .....		
3D9	LINE, SWING DEVICE TO RETURN PIPINGS .....		
3E17	LINE, SWING DEVICE TO SOLENOID VALVE .....		
1C7	LINE, TRAVEL DEVICE TO CENTER JOINT .....		
1C7	LINE, TRAVEL DEVICE TO ROTARY MANIFOLD .....		
3F5	LINE, TRAVEL PILOT VALVE TO CONTROL VALVE .....		
3F7	LINE, TRAVEL PILOT VALVE TO LOCK VALVE .....		
1D24	LINE, TURBOCHARGER OIL .....		
1D24	LINE, TURBOCHARGER TO CYLINDER BLOCK .....		
1D24	LINE, TURBOCHARGER TO FILTER .....		
1G11	LINE, WATER SEPARATOR TO ENGINE .....		
1G11	LINE, WATER SEPARATOR TO FUEL TANK .....		
1F21	LINE, WATER TANK TO RADIATOR .....		
1C22	LINER, CYLINDER .....		
3G17	LINES, BOOM CYLINDER LOAD LOWERING .....		
3G19	LINES, BOOM CYLINDER LOAD LOWERING .....		
1E8	LINES, FUEL FILTERS .....		
1H11	LINK, FUSIBLE .....		
1H24	LINK, FUSIBLE .....		
3G17	LOAD LOWERING VALVE KIT, BOOM CYLINDER .....		
3G19	LOAD LOWERING VALVE KIT, BOOM CYLINDER .....		
3G21	LOAD LOWERING VALVE KIT, BOOM CYLINDER .....		
3D21	LOCK LEVER .....		
3G1	LOCK VALVE .....		
3F15	LOCK VALVE PIPINGS TO FLOW CONTROL VALVE .....		
3F9	LOCK VALVE PIPINGS TO FRONT PILOT VALVE .....		
3F11	LOCK VALVE PIPINGS TO FRONT PILOT VALVE .....		
3F15	LOCK VALVE PIPINGS TO OIL FILTER .....		
3F15	LOCK VALVE PIPINGS TO SOLENOID VALVE .....		
3F7	LOCK VALVE PIPINGS TO TRAVEL PILOT VALVE .....		
3F7	LOCK VALVE, PILOT PIPINGS .....		
2B13	LOCK, CAB DOOR .....		
2B15	LOCK, CAB DOOR .....		
2B23	LOCK, CAB TOP HATCH .....		
2G3	LOCK, DOOR .....		
2E24	LOCK, LEFT FRONT SIDE COVER .....		
2F11	LOCK, SIDE SHIELD DOOR .....		
2F23	LOCK, TOOL BOX DOOR .....		
2E22	LOCK, VANDAL PROTECTION .....		
2E22	LOCK, WINDOW COVERS .....		
2G10	LOWER FRONT WINDSHIELD GUARD .....		
2C7	LOWER MONITOR COVER .....		
1B9	LOWER ROLLER .....		
1D17	LUBE LINES, FUEL INJECTION PUMP .....		
3F19	LUBRICATE PIPINGS .....		
		M	
1C23	MAIN BEARING CAP .....		
1C16	MAIN BEARINGS .....		
1I22	MAIN FRAME .....		
2H3	MAIN HYDRAULIC PUMP .....		
2H5	MAIN HYDRAULIC PUMP COMPONENTS .....		
2H7	MAIN HYDRAULIC PUMP UNIT (COMPONENTS) .....		
3D1	MAIN HYDRAULIC VALVE TO AUXILIARY VALVE HOSE REPLACEMENT .....		
3D11	MAIN PIPINGS (CONTROL VALVE TO BOOM CYLINDERS) .....		
3D17	MAIN PIPINGS (CONTROL VALVE TO CENTER JOINT) .....		
3D13	MAIN PIPINGS (CONTROL VALVE TO FRONT PIPINGS) .....		
3D15	MAIN PIPINGS (CONTROL VALVE TO SWING DEVICE) .....		
3D19	MAIN PIPINGS TO CONTROL VALVE .....		
1H11	MAIN WIRE HARNESS .....		
1H24	MAIN WIRE HARNESS .....		
1D13	MANIFOLD, EXHAUST .....		
1C3	MANIFOLD, ROTARY .....		
2C13	MAT, CAB FLOOR .....		
3H4	MATERIAL CLAMP ASSEMBLY .....		
1C21	MEDALLION, ENGINE .....		
1G18	METRIC O-RING KIT .....		
2G13	MIRROR, LEFT REAR VIEW .....		
2F19	MIRROR, REAR VIEW, RIGHT .....		
1H20	MODE KIT, ATTACHMENT .....		
1I8	MODE KIT, ATTACHMENT .....		
3G13	MODULAR RELAY FOR DUAL AUXILIARY CONTROL .....		
3B8	MOLDBOARD, GENERAL PURPOSE BUCKET .....		
1H1	MONITOR .....		
2E17	MOTOR, AIR CIRCULATING FAN .....		
2D24	MOTOR, AIR CONDITIONER .....		
2E1	MOTOR, AIR CONDITIONER .....		
2E3	MOTOR, AIR CONDITIONER BLOWER .....		
2E17	MOTOR, DEFROSTER FAN .....		
1F24	MOTOR, ENGINE CONTROL .....		
2D8	MOTOR, HEATER .....		
1B16	MOTOR, PROPEL .....		
1B22	MOTOR, PROPEL, BRAKE VALVE COMPONENTS .....		
1B20	MOTOR, PROPEL, COMPONENTS .....		
1E10	MOTOR, STARTING .....		
1E11	MOTOR, STARTING .....		
3H14	MOTOR, SWING DEVICE .....		
3H16	MOTOR, SWING, COMPONENTS .....		
1B16	MOTOR, TRAVEL DEVICE .....		
1B22	MOTOR, TRAVEL, BRAKE VALVE COMPONENTS .....		
1B20	MOTOR, TRAVEL, COMPONENTS .....		
2B9	MOTOR, WINDSHIELD WIPER .....		
2I4	MOUNT, COMPRESSOR .....		
2I20	MOUNT, CONSOLE, ROCK DRILL .....		
2G19	MOUNT, DECONTAMINATION CAN .....		
3D1	MOUNT, PEDAL, AUXILIARY CONTROL .....		
1G7	MUFFLER .....		
		N	
1F3	NOZZLE, COLD WEATHER STARTING AID SPRAY .....		
1D14	NOZZLE, FUEL INJECTION .....		
2B9	NOZZLE, WINDSHIELD WIPER .....		

ALPHABETICAL INDEX - CONTINUED

GRID	PAGE	GRID	PAGE
<b>O</b>			
1G18	O-RING KIT, METRIC ..... 1369-2	3F9	PILOT VALVE, FRONT, PIPINGS TO LOCK VALVE ..... 3360-54
1F15	OIL COOLER ..... 0510-2	3F11	PILOT VALVE, FRONT, PIPINGS TO LOCK VALVE ..... 3360-56
1F15	OIL COOLER CHARGE ..... 0510-2	3C19	PILOT VALVE, PROPEL ..... 3315-12
1E4	OIL COOLER, ENGINE ..... 0419-2	3C21	PILOT VALVE, PROPEL, COMPONENTS ..... 3315-14
1D4	OIL FILLER OPENING COVER ..... 0407-1	3C11	PILOT VALVE, SWING ..... 3315-4
3F13	OIL FILTER PIPINGS TO CONTROL VALVE ..... 3360-58	3C19	PILOT VALVE, TRAVEL ..... 3315-12
3F15	OIL FILTER PIPINGS TO LOCK VALVE ..... 3360-60	3C21	PILOT VALVE, TRAVEL, COMPONENTS ..... 3315-14
3F13	OIL FILTER PIPINGS TO OIL TANK ..... 3360-58	2I5	PIN-UP DATA, BUCKET ..... 2200-3
1D9	OIL LEVEL SENSOR, ENGINE ..... 0407-6	2I8	PIN-UP DATA, BUCKET ..... 2201A-3
1D24	OIL LINE, TURBOCHARGER TO CYLINDER BLOCK ..... 0416-3	2I10	PIN-UP DATA, BUCKET ..... 2201A-5
1D24	OIL LINE, TURBOCHARGER TO FILTER ..... 0416-3	2I12	PIN-UP DATA, BUCKET ..... 2201A-7
1D9	OIL PAN, ENGINE ..... 0407-6	2I14	PIN-UP DATA, BUCKET ..... 2201A-9
1C17	OIL PRESSURE RELIEF VALVE ..... 0402-2	2I17	PIN-UP DATA, BUCKET ..... 2201A-13
1C23	OIL PRESSURE SWITCH ..... 0404-2	2I19	PIN-UP DATA, BUCKET ..... 2201A-15
1D5	OIL SAMPLING VALVE ..... 0407-2	2I21	PIN-UP DATA, BUCKET ..... 2201A-17
3E15	OIL SAMPLING VALVE, HYDRAULIC ..... 3360-36	2I23	PIN-UP DATA, BUCKET ..... 2201A-19
2H13	OIL TANK ..... 2160-12	3B24	PIN-UP DATA, BUCKET ..... 3302-18
2H15	OIL TANK PIPING TO HYDRAULIC PUMP ..... 2160-14	3C2	PIN-UP DATA, BUCKET ..... 3302-21
3D5	OIL TANK PIPINGS TO CONTROL VALVE ..... 3360-2	3C4	PIN-UP DATA, BUCKET ..... 3302-23
3F3	OIL TANK PIPINGS TO CONTROL VALVE ..... 3360-48	3C6	PIN-UP DATA, BUCKET ..... 3302-25
3F13	OIL TANK PIPINGS TO CONTROL VALVE ..... 3360-58	1G7	PIPE, EXHAUST ..... 0530-2
3E19	OIL TANK PIPINGS TO HYDRAULIC PUMP ..... 3360-40	1G5	PIPING, AIR CLEANER ..... 0520-4
3F13	OIL TANK PIPINGS TO OIL FILTER ..... 3360-58	2D16	PIPING, AIR CONDITIONER COMPRESSOR TO CONDENSER ..... 1830-12
3D5	OIL TANK PIPINGS TO RADIATOR ..... 3360-2	2D16	PIPING, AIR CONDITIONER CONDENSER TO COMPRESSOR ..... 1830-12
1G20	OILSCAN PLUS TEST KIT ..... 1369-5	2D16	PIPING, AIR CONDITIONER CONDENSOR TO TANK ..... 1830-12
1H1	OVERHEAT LIGHT ..... 1674-4	2D16	PIPING, AIR CONDITIONER TANK TO CONDENSOR ..... 1830-12
2G17	OVERLOAD ALARM ..... 2004A-2	2D18	PIPING, AIR CONDITIONER TO COMPRESSOR ..... 1830-14
<b>P</b>			
1D9	PAN, ENGINE OIL ..... 0407-6	2D20	PIPING, AIR CONDITIONER TO ENGINE ..... 1830-16
3D1	PEDAL MOUNT, AUXILIARY CONTROL ..... 3315-18	2D18	PIPING, AIR CONDITIONER TO RECEIVING TANK ..... 1830-14
3C17	PEDALS, PROPEL ..... 3315-10	1F17	PIPING, AIR COOLER ..... 0510-4
3H7	PILOT CONTROLS FOR HAND HELD TOOLS ..... 3362A-4	3G23	PIPING, AUXILIARY HYDRAULIC ..... 3360-92
3H9	PILOT CONTROLS FOR HAND HELD TOOLS ..... 3362A-6	3F17	PIPING, BOOM ..... 3360-62
3H11	PILOT CONTROLS FOR ROCK DRILL HYDRAULICS ..... 3362A-8	3D19	PIPING, BOOM BOTTOM ..... 3360-16
3G13	PILOT DUAL CONTROL HANDLE ..... 3360-82	3D11	PIPING, BOOM BOTTOM TO BOOM CYLINDER ..... 3360-8
3D21	PILOT LOCK LEVER ..... 3360-18	3D11	PIPING, BOOM CYLINDER TO BOOM BOTTOM PIPINGS ..... 3360-8
3E15	PILOT PIPINGS ..... 3360-36	3D11	PIPING, BOOM CYLINDER TO CONTROL VALVE ..... 3360-8
3E23	PILOT PIPINGS (CONTROL VALVE, PILOT PIPINGS FLOW CONTROL VALVE) ..... 3360-44	3D17	PIPING, CENTER JOINT TO CONTROL VALVE ..... 3360-14
3F1	PILOT PIPINGS (CONTROL VALVE, PILOT PIPINGS FLOW CONTROL VALVE) ..... 3360-46	3D9	PIPING, CENTER JOINT TO RETURN PIPINGS ..... 3360-6
3F9	PILOT PIPINGS (FLOW CONTROL VALVE) ..... 3360-54	3E21	PIPING, CENTER JOINT TO SOLENOID VALVE ..... 3360-42
3F11	PILOT PIPINGS (FLOW CONTROL VALVE) ..... 3360-56	1C7	PIPING, CENTER JOINT TO TRAVEL DEVICE ..... 0260-20
3F15	PILOT PIPINGS (LOCK VALVE, OIL FILTER) ..... 3360-60	2D18	PIPING, COMPRESSOR TO AIR CONDITIONER ..... 1830-14
3F3	PILOT PIPINGS (OIL TANK, CONTROL VALVE) ..... 3360-48	3D1	PIPING, CONTROL VALVE TO AUXILIARY FOOT VALVE ..... 3315-18
3F13	PILOT PIPINGS (OIL TANK, OIL FILTER, CONTROL VALVE) ..... 3360-58	3D11	PIPING, CONTROL VALVE TO BOOM CYLINDER ..... 3360-8
3E19	PILOT PIPINGS (OIL TANK, PUMP) ..... 3360-40	3D17	PIPING, CONTROL VALVE TO CENTER JOINT ..... 3360-14
3E21	PILOT PIPINGS (SOLENOID VALVE, CENTER JOINT, SWING DEVICE, CONTROL VALVE) ..... 3360-42	3E23	PIPING, CONTROL VALVE TO FLOW CONTROL VALVE ..... 3360-44
3E17	PILOT PIPINGS (SWING DEVICE, CONTROL VALVE, SOLENOID VALVE) ..... 3360-38	3F1	PIPING, CONTROL VALVE TO FLOW CONTROL VALVE ..... 3360-46
3F7	PILOT PIPINGS (TRAVEL PILOT VALVE) ..... 3360-52	3D13	PIPING, CONTROL VALVE TO FRONT PIPINGS ..... 3360-10
3F5	PILOT PIPINGS (TRAVEL PILOT VALVE, CONTROL VALVE) ..... 3360-50	2H17	PIPING, CONTROL VALVE TO HYDRAULIC PUMP ..... 2160-16
3C13	PILOT VALVE COMPONENTS (FRONT AND SWING) ..... 3315-6	3D19	PIPING, CONTROL VALVE TO MAIN PIPINGS ..... 3360-16
3C11	PILOT VALVE, FRONT ..... 3315-4	3F13	PIPING, CONTROL VALVE TO OIL FILTER ..... 3360-58
3F9	PILOT VALVE, FRONT, PIPINGS TO FLOW CONTROL VALVE ..... 3360-54	3D5	PIPING, CONTROL VALVE TO OIL TANK ..... 3360-2
3F11	PILOT VALVE, FRONT, PIPINGS TO FLOW CONTROL VALVE ..... 3360-56	3F3	PIPING, CONTROL VALVE TO OIL TANK ..... 3360-48
		3F13	PIPING, CONTROL VALVE TO OIL TANK ..... 3360-58
		3D7	PIPING, CONTROL VALVE TO RADIATOR ..... 3360-4
		3E17	PIPING, CONTROL VALVE TO SOLENOID VALVE ..... 3360-38
		3E21	PIPING, CONTROL VALVE TO SOLENOID VALVE ..... 3360-42

ALPHABETICAL INDEX - CONTINUED

<i>GRID</i>	<i>PAGE</i>	<i>GRID</i>	<i>PAGE</i>		
3D9	PIPING, CONTROL VALVE TO SWING DEVICE.....	3360 - 6	3F9	PIPING, PILOT (FLOW CONTROL VALVE) .....	3360 - 54
3D15	PIPING, CONTROL VALVE TO SWING DEVICE.....	3360 - 12	3F11	PIPING, PILOT (FLOW CONTROL VALVE) .....	3360 - 56
3E21	PIPING, CONTROL VALVE TO SWING DEVICE.....	3360 - 42	3F15	PIPING, PILOT (LOCK VALVE, OIL FILTER).....	3360 - 60
3F5	PIPING, CONTROL VALVE TO TRAVEL PILOT VALVE .....	3360 - 50	3F3	PIPING, PILOT (OIL TANK, CONTROL VALVE) .....	3360 - 48
2H17	PIPING, DELIVERY .....	2160 - 16	3F13	PIPING, PILOT (OIL TANK, OIL FILTER, CONTROL VALVE) .....	3360 - 58
3D9	PIPING, DRAIN (CENTER JOINT, SWING DEVICE, CONTROL VALVE) .....	3360 - 6	3E19	PIPING, PILOT (OIL TANK, PUMP) .....	3360 - 40
2D20	PIPING, ENGINE TO AIR CONDITIONER .....	1830 - 16	3E21	PIPING, PILOT (SOLENOID VALVE, CENTER JOINT, SWING DEVICE, CONTROL VALVE) .....	3360 - 42
1G11	PIPING, ENGINE TO FUEL TANK .....	0560 - 4	3E17	PIPING, PILOT (SWING DEVICE, CONTROL VALVE, SOLENOID VALVE) .....	3360 - 38
2D12	PIPING, ENGINE TO HEATER .....	1830 - 8	3F7	PIPING, PILOT (TRAVEL PILOT VALVE).....	3360 - 52
1F19	PIPING, ENGINE TO RADIATOR .....	0510 - 6	3F5	PIPING, PILOT (TRAVEL PILOT VALVE, CONTROL VALVE) .....	3360 - 50
1G11	PIPING, ENGINE TO WATER SEPARATOR .....	0560 - 4	3F5	PIPING, PROPEL PILOT VALVE TO CONTROL VALVE .....	3360 - 50
3E23	PIPING, FLOW CONTROL VALVE TO CONTROL VALVE .....	3360 - 44	3D7	PIPING, RADIATOR TO CONTROL VALVE .....	3360 - 4
3F1	PIPING, FLOW CONTROL VALVE TO CONTROL VALVE .....	3360 - 46	1F19	PIPING, RADIATOR TO ENGINE .....	0510 - 6
3F9	PIPING, FLOW CONTROL VALVE TO FRONT PILOT VALVE.....	3360 - 54	3D5	PIPING, RADIATOR TO OIL TANK.....	3360 - 2
3F11	PIPING, FLOW CONTROL VALVE TO FRONT PILOT VALVE.....	3360 - 56	1F21	PIPING, RADIATOR TO WATER TANK .....	0510 - 8
3F15	PIPING, FLOW CONTROL VALVE TO LOCK VALVE .....	3360 - 60	2D18	PIPING, RECEIVING TANK TO AIR CONDITIONER.....	1830 - 14
3F9	PIPING, FRONT PILOT VALVE TO FLOW CONTROL VALVE .....	3360 - 54	3D5	PIPING, RETURN .....	3360 - 2
3F11	PIPING, FRONT PILOT VALVE TO FLOW CONTROL VALVE .....	3360 - 56	3D7	PIPING, RETURN (CONTROL VALVE TO RADIATOR) .....	3360 - 4
3F9	PIPING, FRONT PILOT VALVE TO LOCK VALVE .....	3360 - 54	3D9	PIPING, RETURN TO CENTER JOINT.....	3360 - 6
3F11	PIPING, FRONT PILOT VALVE TO LOCK VALVE .....	3360 - 56	3D9	PIPING, RETURN TO SWING DEVICE .....	3360 - 6
3D13	PIPING, FRONT TO CONTROL VALVE .....	3360 - 10	3E21	PIPING, ROTARY MANIFOLD TO SOLENOID VALVE .....	3360 - 42
1G11	PIPING, FUEL TANK TO ENGINE .....	0560 - 4	1C7	PIPING, ROTARY MANIFOLD TO TRAVEL DEVICE.....	0260 - 20
1G11	PIPING, FUEL TANK TO WATER SEPARATOR .....	0560 - 4	3E21	PIPING, SOLENOID VALVE TO CENTER JOINT .....	3360 - 42
2D12	PIPING, HEATER TO ENGINE .....	1830 - 8	3E17	PIPING, SOLENOID VALVE TO CONTROL VALVE .....	3360 - 38
2H17	PIPING, HYDRAULIC PUMP TO CONTROL VALVE.....	2160 - 16	3E21	PIPING, SOLENOID VALVE TO CONTROL VALVE .....	3360 - 42
2H15	PIPING, HYDRAULIC PUMP TO OIL TANK.....	2160 - 14	3F15	PIPING, SOLENOID VALVE TO LOCK VALVE .....	3360 - 60
3E19	PIPING, HYDRAULIC PUMP TO OIL TANK.....	3360 - 40	3E21	PIPING, SOLENOID VALVE TO ROTARY MANIFOLD .....	3360 - 42
3F15	PIPING, LOCK VALVE TO FLOW CONTROL VALVE .....	3360 - 60	3E17	PIPING, SOLENOID VALVE TO SWING DEVICE .....	3360 - 38
3F9	PIPING, LOCK VALVE TO FRONT PILOT VALVE .....	3360 - 54	2H15	PIPING, SUCTION .....	2160 - 14
3F11	PIPING, LOCK VALVE TO FRONT PILOT VALVE .....	3360 - 56	3D9	PIPING, SWING DEVICE TO CONTROL VALVE.....	3360 - 6
3F15	PIPING, LOCK VALVE TO OIL FILTER .....	3360 - 60	3D15	PIPING, SWING DEVICE TO CONTROL VALVE.....	3360 - 12
3F15	PIPING, LOCK VALVE TO SOLENOID VALVE .....	3360 - 60	3E21	PIPING, SWING DEVICE TO CONTROL VALVE.....	3360 - 42
3F7	PIPING, LOCK VALVE TO TRAVEL PILOT VALVE .....	3360 - 52	3D9	PIPING, SWING DEVICE TO RETURN PIPINGS .....	3360 - 6
3D11	PIPING, MAIN (CONTROL VALVE TO BOOM CYLINDERS) .....	3360 - 8	3E17	PIPING, SWING DEVICE TO SOLENOID VALVE .....	3360 - 38
3D17	PIPING, MAIN (CONTROL VALVE TO CENTER JOINT) .....	3360 - 14	1C7	PIPING, TRAVEL .....	0260 - 20
3D13	PIPING, MAIN (CONTROL VALVE TO FRONT PIPINGS) .....	3360 - 10	1C7	PIPING, TRAVEL DEVICE TO CENTER JOINT.....	0260 - 20
3D15	PIPING, MAIN (CONTROL VALVE TO SWING DEVICE) .....	3360 - 12	1C7	PIPING, TRAVEL DEVICE TO ROTARY MANIFOLD .....	0260 - 20
3D19	PIPING, MAIN TO CONTROL VALVE .....	3360 - 16	3F5	PIPING, TRAVEL PILOT VALVE TO CONTROL VALVE .....	3360 - 50
3F13	PIPING, OIL FILTER TO CONTROL VALVE .....	3360 - 58	3F7	PIPING, TRAVEL PILOT VALVE TO LOCK VALVE .....	3360 - 52
3F15	PIPING, OIL FILTER TO LOCK VALVE .....	3360 - 60	1G11	PIPING, WATER SEPARATOR TO ENGINE .....	0560 - 4
3F13	PIPING, OIL FILTER TO OIL TANK .....	3360 - 58	1G11	PIPING, WATER SEPARATOR TO FUEL TANK .....	0560 - 4
3D5	PIPING, OIL TANK TO CONTROL VALVE.....	3360 - 2	1F21	PIPING, WATER TANK TO RADIATOR .....	0510 - 8
3F3	PIPING, OIL TANK TO CONTROL VALVE.....	3360 - 48	3F19	PIPINGS, LUBRICATE .....	3360 - 64
3F13	PIPING, OIL TANK TO CONTROL VALVE.....	3360 - 58	1C22	PISTON RINGS .....	0403 - 1
2H15	PIPING, OIL TANK TO HYDRAULIC PUMP.....	2160 - 14	1C22	PISTON, ENGINE .....	0403 - 1
3E19	PIPING, OIL TANK TO HYDRAULIC PUMP.....	3360 - 40	1B20	PISTON, SERVO .....	0260 - 8
3F13	PIPING, OIL TANK TO OIL FILTER .....	3360 - 58	1C1	PISTON, SERVO, COMPONENTS .....	0260 - 14
3D5	PIPING, OIL TANK TO RADIATOR.....	3360 - 2	2C15	PLATE, CAB FLOOR .....	1810 - 36
3E23	PIPING, PILOT (CONTROL VALVE, PILOT PIPINGS FLOW CONTROL VALVE) .....	3360 - 44	2C15	PLATFORM, CAB FLOOR .....	1810 - 36
3F1	PIPING, PILOT (CONTROL VALVE, PILOT PIPINGS FLOW CONTROL VALVE) .....	3360 - 46	1C21	PLUG,ENGINE OIL FILL .....	0402 - 6
			3G23	PLUMBING, AUXILIARY HYDRAULIC .....	3360 - 92
			1H1	PREHEAT INDICATOR LIGHT .....	1674 - 4
			3F3	PRESSURE SENSOR, OIL TANK PILOT PIPINGS .....	3360 - 48
			2H7	PRESSURE SENSOR, PUMP .....	2160 - 6

ALPHABETICAL INDEX - CONTINUED

GRID	PAGE	GRID	PAGE
2D24	PRESSURE SWITCH, AIR CONDITIONER .....	1830-20	
1G13	PRIMER, HAND FUEL FILTER .....	0560-6	
3C15	PROPEL CONTROL LEVER .....	3315-8	
3C23	PROPEL LEVER DAMPENERS.....	3315-16	
1B16	PROPEL MOTOR .....	0260-4	
1B22	PROPEL MOTOR BRAKE RELIEF VALVE .....	0260-10	
1B24	PROPEL MOTOR BRAKE RELIEF VALVE COMPONENTS .....	0260-12	
1B22	PROPEL MOTOR BRAKE VALVE COMPONENTS .....	0260-10	
1B20	PROPEL MOTOR COMPONENTS .....	0260-8	
1C9	PROPEL MOTOR COVER.....	0260-22	
1C1	PROPEL MOTOR SERVO PISTON COMPONENTS .....	0260-14	
3C17	PROPEL PEDALS .....	3315-10	
3C19	PROPEL PILOT VALVE .....	3315-12	
3C21	PROPEL PILOT VALVE COMPONENTS .....	3315-14	
3F5	PROPEL PILOT VALVE PIPINGS TO CONTROL VALVE .....	3360-50	
3F3	PROPEL PRESSURE SWITCH.....	3360-48	
2D16	PULLEY, AIR CONDITIONER COMPRESSOR .....	1830-12	
1G23	PULLEY, ALTERNATOR (45 AMP).....	1672-1	
1E16	PULLEY, AUXILIARY .....	0429-3	
1E15	PULLEY, CRANKSHAFT .....	0429-2	
1E17	PULLEY, FAN DRIVE.....	0429-4	
1E19	PULLEY, IDLER.....	0429-6	
1E17	PULLEY, TENSIONER .....	0429-4	
2H5	PUMP COUPLING .....	2160-4	
2H5	PUMP DEVICE COMPONENTS .....	2160-4	
2H11	PUMP GEAR COMPONENTS .....	2160-10	
3E19	PUMP PIPINGS TO OIL TANK .....	3360-40	
2H7	PUMP PRESSURE SENSOR .....	2160-6	
2H9	PUMP REGULATOR (COMPONENTS).....	2160-8	
2H7	PUMP UNIT, COMPONENTS .....	2160-6	
1D8	PUMP, ENGINE OIL.....	0407-5	
1D17	PUMP, FUEL INJECTION .....	0413-4	
2H3	PUMP, HYDRAULIC.....	2160-2	
1D25	PUMP, WATER.....	0417-2	
2C11	PUMP, WINDOW WASHER.....	1810-32	
1C19	PUSH RODS.....	0402-4	
<b>Q</b>			
2H24	QUICK COUPLERS, AUXILIARY LINES .....	2163A-1	
2I2	QUICK COUPLERS, HYDRAULIC, F/ROCK DRILL.....	2163B-1	
3C5	QUICK LATCH ASSEMBLY .....	3302-24	
3C7	QUICK LATCH ASSEMBLY HYDRAULIC KIT .....	3302-26	
3H4	QUICK LATCH W/KIT .....	3301A-2	
<b>R</b>			
2C3	RACK, RIFLE .....	1810-24	
1F15	RADIATOR .....	0510-2	
1F17	RADIATOR ATTACHMENTS .....	0510-4	
1F19	RADIATOR PIPING TO ENGINE.....	0510-6	
1F21	RADIATOR PIPING TO WATER TANK.....	0510-8	
3D7	RADIATOR PIPINGS TO CONTROL VALVE .....	3360-4	
3D5	RADIATOR PIPINGS TO OIL TANK .....	3360-2	
1F19	RADIATOR SUPPORT .....	0510-6	
2D24	RADIATOR, AIR CONDITIONER.....	1830-20	
2C9	RADIO .....	1810-30	
2B9	RADIO ANTENNA.....	1810-6	
2B9	RADIO SPEAKER.....	1810-6	
2B9	RADIO SPEAKER WIRE HARNESS .....	1810-6	
1I19	REAR HOOD LIGHTS .....	1673A-6	
2E15	REAR TRAY (FOR UNITS WITH AIR CONDITIONER) .....	1830-36	
2E13	REAR TRAY (FOR UNITS WITH HEATER) .....	1830-34	
2G13	REAR VIEW MIRROR, LEFT.....	2002-2	
2F19	REAR VIEW MIRROR, RIGHT .....	1910-24	
2D16	RECEIVER TANK, AIR CONDITIONER .....	1830-12	
2D18	RECEIVING TANK PIPING TO AIR CONDITIONER .....	1830-14	
1I13	RECEPTACLE, SLAVE.....	1671A-2	
3H6	REEL, HOSE .....	3362A-3	
2H9	REGULATOR (COMPONENTS).....	2160-8	
1G23	REGULATOR, ALTERNATOR .....	1672-1	
2H7	REGULATOR, PUMP .....	2160-6	
2E1	RELAY, AIR CONDITIONER .....	1830-22	
1H7	RELAY, BATTERY .....	1674-10	
3G13	RELAY, MODULAR FOR DUAL AUXILIARY CONTROL .....	3360-82	
1H5	RELAYS .....	1674-8	
3F23	RELIEF VALVE.....	3360-68	
1C17	RELIEF VALVE, ENGINE OIL PRESSURE .....	0402-2	
1B22	RELIEF VALVE, PROPEL MOTOR BRAKE .....	0260-10	
1B24	RELIEF VALVE, PROPEL MOTOR BRAKE COMPONENTS .....	0260-12	
3D1	REPLACEMENT, AUXILIARY FOOT CONTROL .....	3315-18	
1F21	RESERVE WATER TANK .....	0510-8	
2H13	RESERVOIR, HYDRAULIC .....	2160-12	
2C11	RESERVOIR, WINDOW WASHER .....	1810-32	
2D8	RESISTOR, HEATER .....	1830-4	
2E3	RESISTOR, AIR CONDITIONER BLOWER .....	1830-24	
2D5	RETRACTABLE SEAT BELT (76MM (3") WIDE).....	1821-9	
2I13	RETURN LINE, DRILL .....	2201A-8	
3D5	RETURN PIPINGS .....	3360-2	
3D7	RETURN PIPINGS (CONTROL VALVE TO RADIATOR) .....	3360-4	
3D9	RETURN PIPINGS TO CENTER JOINT .....	3360-6	
3D9	RETURN PIPINGS TO SWING DEVICE.....	3360-6	
2C3	RIFLE RACK.....	1810-24	
3G3	RIGHT BOOM CYLINDER .....	3360-72	
1E21	RING GEAR, FLYWHEEL .....	0433-1	
1C22	RINGS, PISTON .....	0403-1	
2I7	ROCK DRILL AIR LINES .....	2201A-2	
3H4	ROCK DRILL BRACKET ASSEMBLY .....	3301A-2	
2I20	ROCK DRILL ELECTRIC, CONSOLE MOUNT.....	2201A-16	
2I2	ROCK DRILL, QUICK COUPLERS .....	2163B-1	
1C21	ROCKER ARM COVER .....	0402-6	
1C21	ROCKER ARM COVER GASKET .....	0402-6	
1C19	ROCKER ARM SHAFT.....	0402-4	
1C19	ROCKER ARMS .....	0402-4	
1C22	ROD, CONNECTING .....	0403-1	
1C19	RODS, PUSH .....	0402-4	
1B9	ROLLER, LOWER.....	0130-14	
1B7	ROLLER, UPPER.....	0130-12	
1C3	ROTARY MANIFOLD .....	0260-16	
3E21	ROTARY MANIFOLD PIPINGS TO SOLENOID VALVE .....	3360-42	
1C7	ROTARY MANIFOLD PIPINGS TO TRAVEL DEVICE .....	0260-20	
1C5	ROTARY MANIFOLD SUPPORT.....	0260-18	
2F19	RUBBER STRIP, TOOL BOX .....	1910-24	
1I24	RUBRAIL.....	1740-4	
<b>S</b>			
1D5	SAMPLING VALVE, OIL.....	0407-2	
2G7	SCREEN, CAB, UPPER FRONT .....	1913A-2	
3G7	SEAL KIT, ARM CYLINDER .....	3360-76	
3G9	SEAL KIT, BUCKET CYLINDER .....	3360-78	

ALPHABETICAL INDEX - CONTINUED

GRID	PAGE	GRID	PAGE
3G5 SEAL KIT, LEFT BOOM CYLINDER .....	3360-74	1E13 STRAP, ALTERNATOR MOUNTING .....	0423-2
2H11 SEAL KIT, PUMP GEAR .....	2160-10	2H15 SUCTION PIPINGS .....	2160-14
3G3 SEAL KIT, RIGHT BOOM CYLINDER.....	3360-72	1E17 SUPPORT DRIVE, FAN .....	0429-4
2C23 SEAT .....	1821-2	1E13 SUPPORT, ALTERNATOR .....	0423-2
2D3 SEAT BELT.....	1821-6	1F3 SUPPORT, COLD WEATHER STARTING AID .....	0505-2
2D5 SEAT BELT, RETRACTABLE (76MM (3") WIDE .....	1821-9	2C23 SUSPENSION, SEAT .....	1821-2
2D1 SEAT STAND ADJUSTER.....	1821-4	1J3 SWING BEARING.....	1740-8
2D1 SEAT STAND COMPONENTS .....	1821-4	1J5 SWING BEARING GREASE COVER .....	1740-10
1F21 SENDER, RESERVE WATER TANK.....	0510-8	3H14 SWING DEVICE .....	4360-2
1D9 SENSOR, ENGINE OIL LEVEL .....	0407-6	3D9 SWING DEVICE PIPINGS TO CONTROL VALVE .....	3360-6
2H5 SENSOR, ENGINE SPEED .....	2160-4	3D15 SWING DEVICE PIPINGS TO CONTROL VALVE .....	3360-12
1C14 SENSOR, ENGINE TEMPERATURE.....	0400-2	3E21 SWING DEVICE PIPINGS TO CONTROL VALVE .....	3360-42
3F3 SENSOR, PRESSURE, OIL TANK PILOT PIPINGS .....	3360-48	3D9 SWING DEVICE PIPINGS TO RETURN PIPINGS.....	3360-6
2H7 SENSOR, PUMP PRESSURE .....	2160-6	3E17 SWING DEVICE PIPINGS TO SOLENOID VALVE .....	3360-38
1C14 SENSOR, THERMOSTAT HOUSING TEMPERATURE .....	0400-2	3H16 SWING MOTOR COMPONENTS .....	4360-4
1B20 SERVO PISTON .....	0260-8	3C11 SWING PILOT VALVE .....	3315-4
1C19 SHAFT, ROCKER ARM .....	0402-4	3C13 SWING PILOT VALVE COMPONENTS .....	3315-6
3B14 SHANK, BUCKET TOOTH, GENERAL PURPOSE .....	3302-8	1G9 SWITCH LEVEL, FUEL TANK.....	0560-2
3B10 SHANK, DITCH CLEANING BUCKET.....	3302-4	3E23 SWITCH, ARM IN PRESSURE .....	3360-44
3B16 SHANK, HEAVY DUTY HIGH CAPACITY BUCKET, 310 SERIES .....	3302-10	3E23 SWITCH, BOOM UP PRESSURE .....	3360-44
3B18 SHANK, HEAVY DUTY HIGH CAPACITY BUCKET, 400 SERIES .....	3302-12	3F3 SWITCH, DIG PRESSURE .....	3360-48
3B20 SHANK, SEVERE DUTY CAST LIP BUCKET .....	3302-14	1G1 SWITCH, ENGINE CONTROLLER .....	0515-4
3B22 SHANK, SEVERE DUTY PLATE LIP BUCKET .....	3302-16	1C14 SWITCH, ENGINE TEMPERATURE .....	0400-2
1B11 SHOE, TRACK .....	0130-16	1H17 SWITCH, ENGINE TEMPERATURE .....	1674-20
1D1 SHORT BLOCK, ENGINE .....	0404-4	1I5 SWITCH, ENGINE TEMPERATURE .....	1674-36
1F17 SHROUD, FAN.....	0510-4	3G11 SWITCH, FOOT, AUXILIARY ELECTRIC .....	3360-80
1D19 SHUT-OFF LEVER, FUEL INJECTION PUMP .....	0413-6	1F21 SWITCH, LEVEL, RESERVE WATER TANK .....	0510-8
3B8 SIDE CUTTERS, GENERAL PURPOSE BUCKET .....	3302-2	1C23 SWITCH, OIL PRESSURE.....	0404-2
1I24 SIDE RAIL.....	1740-4	2D24 SWITCH, PRESSURE, AIR CONDITIONER .....	1830-20
1I13 SLAVE RECEPTACLE .....	1671A-2	3F3 SWITCH, PROPEL PRESSURE .....	3360-48
2D1 SLIDER, SEAT STAND .....	1821-4	1D11 SWITCH, TEMPERATURE.....	0409-2
3E13 SOLENOID VALVE.....	3360-34	2E17 SWITCH, TOGGLE, AIR CIRCULATING FAN .....	1830-38
3E15 SOLENOID VALVE.....	3360-36	2E17 SWITCH, TOGGLE, DEFROSTER FAN .....	1830-38
3G13 SOLENOID VALVE DUAL CONTROL HARNESS .....	3360-82	1H1 SWITCH, TRAVEL MODE .....	1674-4
3E21 SOLENOID VALVE PIPINGS TO CENTER JOINT .....	3360-42	1H1 SWITCH, WIPER .....	1674-4
3E17 SOLENOID VALVE PIPINGS TO CONTROL VALVE .....	3360-38	1H1 SWITCH, WORK LIGHT.....	1674-4
3E21 SOLENOID VALVE PIPINGS TO CONTROL VALVE .....	3360-42	1H1 SWITCHBOARD .....	1674-4
3F15 SOLENOID VALVE PIPINGS TO LOCK VALVE .....	3360-60	1D15 SYSTEM, FUEL INJECTION .....	0413-2
3E21 SOLENOID VALVE PIPINGS TO ROTARY MANIFOLD .....	3360-42		
3E17 SOLENOID VALVE PIPINGS TO SWING DEVICE .....	3360-38		
1D21 SOLENOID, FUEL INJECTION PUMP SHUT-OFF.....	0413-8		
1E11 SOLENOID, STARTER.....	0422-2		
1F23 SPACER, FAN BLADE.....	0510-10		
2B9 SPEAKER, RADIO .....	1810-6		
2H5 SPEED SENSOR, ENGINE .....	2160-4		
3G15 SPOOL CONTROL W/FLOW KIT .....	3360-84		
1B5 SPRING, ADJUSTER .....	0130-10		
2C17 STAND .....	1810-38		
2C23 STAND, SEAT .....	1821-2		
2D1 STAND, SEAT, COMPONENTS .....	1821-4		
3D3 STANDARD ARM 2.96M .....	3340-2		
1H9 START SWITCH.....	1674-12		
1E11 STARTER COMPONENTS.....	0422-2		
1H7 STARTER RELAY.....	1674-10		
1E11 STARTER SOLENOID KIT.....	0422-2		
1F3 STARTING AID, COLD WEATHER .....	0505-2		
1E10 STARTING MOTOR .....	0422-1		
2G23 STORAGE BOX, VANDAL PROTECTION .....	2013B-3		
2E19 STORAGE HOOKS, CAB.....	1801A-2		
2G22 STORAGE MOUNT, VANDAL PROTECTION .....	2013B-2		
1G9 STRAINER, FUEL TANK .....	0560-2		
		<b>T</b>	
		2D16 TANK, AIR CONDITIONER .....	1830-12
		2D16 TANK, FREON .....	1830-12
		1G9 TANK, FUEL .....	0560-2
		2H13 TANK, OIL.....	2160-12
		2D16 TANK, RECEIVER, AIR CONDITIONER .....	1830-12
		1F21 TANK, WATER, RESERVE .....	0510-8
		2C11 TANK, WINDOW WASHER .....	1810-32
		3B14 TEETH, BUCKET, GENERAL PURPOSE .....	3302-8
		3B10 TEETH, DITCH CLEANING BUCKET .....	3302-4
		3B12 TEETH, ESCO .....	3302-6
		3B16 TEETH, HEAVY DUTY HIGH CAPACITY BUCKET, 310 SERIES .....	3302-10
		3B18 TEETH, HEAVY DUTY HIGH CAPACITY BUCKET, 400 SERIES .....	3302-12
		3B20 TEETH, SEVERE DUTY CAST LIP BUCKET.....	3302-14
		3B22 TEETH, SEVERE DUTY PLATE LIP BUCKET .....	3302-16
		1D11 TEMPERATURE SWITCH .....	0409-2
		1C14 TEMPERATURE SWITCH, ENGINE .....	0400-2
		1H17 TEMPERATURE SWITCH, ENGINE .....	1674-20
		1I5 TEMPERATURE SWITCH, ENGINE .....	1674-36
		1E17 TENSIONER, BELT IDLER .....	0429-4
		1H22 TERMINALS, WEATHERPACK .....	1674-26
		1I10 TERMINALS, WEATHERPACK .....	1674-42
		1G20 TEST KIT .....	1369-5
		1E2 THERMOSTAT COVER .....	0418-2

ALPHABETICAL INDEX - CONTINUED

GRID	PAGE	GRID	PAGE
1E2	THERMOSTAT HOUSING .....0418-2	1D24	TURBOCHARGER OIL LINES.....0416-3
1C14	THERMOSTAT HOUSING TEMPERATURE SENSOR .....0400-2		
2D24	THERMOSTAT, AIR CONDITIONER.....1830-20		
1E2	THERMOSTAT, ENGINE .....0418-2		U
1D19	THROTTLE LEVER, FUEL INJECTION PUMP.....0413-6		
3C1	THUMB AND CYLINDER, HYDRAULIC .....3302-20	2G1	UNDER COVER .....1910-30
3C3	THUMB AND CYLINDER, HYDRAULIC .....3302-22	2F13	UNDER COVER, LEFT SIDE .....1910-18
1C17	TIMING GEAR COVER .....0402-2	1B7	UPPER ROLLER .....0130-12
2E17	TOGGLE SWITCH, AIR CIRCULATING FAN.....1830-38		
2E17	TOGGLE SWITCH, DEFROSTER FAN.....1830-38		V
2F19	TOOL BOX .....1910-24		
2F19	TOOL BOX COVER .....1910-24		
2F23	TOOL BOX DOOR LOCK LATCH.....1910-28	3G17	VALVE KIT, BOOM CYLINDER LOAD LOWERING.....3360-86
2F21	TOOL BOX SECURITY HASP.....1910-26	3G19	VALVE KIT, BOOM CYLINDER LOAD LOWERING.....3360-88
3B14	TOOTH ASSEMBLY, GENERAL PURPOSE BUCKET.....3302-8	3G21	VALVE KIT, BOOM CYLINDER LOAD LOWERING.....3360-90
3B10	TOOTH, DITCH CLEANING BUCKET.....3302-4	3G19	VALVE, BOOM CYLINDER LOADER LOWERING.....3360-88
3B12	TOOTH, ESCO .....3302-6	1B20	VALVE, BRAKE .....0260-8
3B16	TOOTH, HEAVY DUTY HIGH CAPACITY BUCKET, 310 SERIES .....3302-10	1B22	VALVE, BRAKE, COMPONENTS .....0260-10
3B18	TOOTH, HEAVY DUTY HIGH CAPACITY BUCKET, 400 SERIES .....3302-12	3D23	VALVE, CONTROL.....3360-20
3B20	TOOTH, SEVERE DUTY CAST LIP BUCKET .....3302-14	3E3	VALVE, CONTROL (COMPONENTS) .....3360-24
3B22	TOOTH, SEVERE DUTY PLATE LIP BUCKET .....3302-16	3E5	VALVE, CONTROL (COMPONENTS) .....3360-26
1E15	TORSIONAL DAMPENER, CRANKSHAFT .....0429-2	3E7	VALVE, CONTROL (COMPONENTS) .....3360-28
3C23	TORSIONAL DAMPENER, PROPEL LEVER .....3315-16	3E9	VALVE, CONTROL (COMPONENTS) .....3360-30
2C23	TORSIONAL DAMPENER, SEAT .....1821-2	3E11	VALVE, CONTROL (COMPONENTS) .....3360-32
1B11	TRACK CHAIN .....0130-16	3E1	VALVE, CONTROL, SUPPORT .....3360-22
1B1	TRACK CHAIN SLIDE BLOCK .....0130-6	1C23	VALVE, ENGINE OIL BY-PASS .....0404-2
1A22	TRACK FRAME .....0130-2	1C17	VALVE, ENGINE OIL PRESSURE .....0402-2
1A24	TRACK GUARD .....0130-4	1F3	VALVE, ETHER .....0505-2
1B11	TRACK LINK.....0130-16	1D11	VALVE, EXHAUST .....0409-2
1B1	TRACK LINK GUIDE .....0130-6	3F21	VALVE, FLOW CONTROL.....3360-66
1B11	TRACK SHOE.....0130-16	3D1	VALVE, FOOT, AUXILIARY CONTROL .....3315-18
1D19	TRANSFER PUMP, FUEL .....0413-6	1D11	VALVE, INTAKE .....0409-2
1H11	TRAVEL ALARM MOUNTING HARDWARE .....1674-14	3G1	VALVE, LOCK.....3360-70
1H24	TRAVEL ALARM MOUNTING HARDWARE .....1674-30	3F7	VALVE, LOCK, PILOT PIPINGS .....3360-52
3C15	TRAVEL CONTROL LEVER .....3315-8	3E15	VALVE, OIL SAMPLING, HYDRAULIC .....3360-36
1B16	TRAVEL DEVICE .....0260-4	3E23	VALVE, PILOT PIPINGS FLOW CONTROL .....3360-44
1C7	TRAVEL DEVICE PIPING TO CENTER JOINT .....0260-20	3C13	VALVE, PILOT, COMPONENTS (FRONT AND SWING).....3315-6
1C7	TRAVEL DEVICE PIPINGS TO ROTARY MANIFOLD.....0260-20	3C11	VALVE, PILOT, FRONT .....3315-4
1B18	TRAVEL DEVICE SUPPORT.....0260-6	3C19	VALVE, PILOT, PROPEL .....3315-12
3C23	TRAVEL LEVER DAMPENER .....3315-16	3C21	VALVE, PILOT, PROPEL, COMPONENTS.....3315-14
1H1	TRAVEL MODE SWITCH.....1674-4	3C11	VALVE, PILOT, SWING .....3315-4
1H15	TRAVEL MOTION ALARM.....1674-18	3C19	VALVE, PILOT, TRAVEL .....3315-12
1I3	TRAVEL MOTION ALARM.....1674-34	3C21	VALVE, PILOT, TRAVEL, COMPONENTS .....3315-14
1B22	TRAVEL MOTOR BRAKE RELIEF VALVE .....0260-10	3F23	VALVE, RELIEF .....3360-68
1B24	TRAVEL MOTOR BRAKE RELIEF VALVE COMPONENTS .....0260-12	1B22	VALVE, RELIEF, PROPEL MOTOR BRAKE.....0260-10
1B22	TRAVEL MOTOR BRAKE VALVE COMPONENTS .....0260-10	1B24	VALVE, RELIEF, PROPEL MOTOR BRAKE COMPONENTS .....0260-12
1B20	TRAVEL MOTOR COMPONENTS.....0260-8	1D5	VALVE, SAMPLING, OIL .....0407-2
1C9	TRAVEL MOTOR COVER .....0260-22	3E13	VALVE, SOLENOID .....3360-34
1C1	TRAVEL MOTOR SERVO PISTON COMPONENTS .....0260-14	3E15	VALVE, SOLENOID .....3360-36
3C19	TRAVEL PILOT VALVE .....3315-12	2E22	VANDAL PROTECTION .....1910-2
3C21	TRAVEL PILOT VALVE COMPONENTS .....3315-14	2G23	VANDAL PROTECTION STORAGE BOX .....2013B-3
3F5	TRAVEL PILOT VALVE PIPINGS TO CONTROL VALVE .....3360-50	2G22	VANDAL PROTECTION STORAGE MOUNT.....2013B-2
3F7	TRAVEL PILOT VALVE PIPINGS TO LOCK VALVE.....3360-52	2D16	VAPOR CONDENSER, AIR CONDITIONER.....1830-12
1C7	TRAVEL PIPINGS .....0260-20	1G23	VOLTAGE REGULATOR (45 AMP).....1672-1
2E15	TRAY, REAR (FOR UNITS WITH AIR CONDITIONER) .....1830-36		
2E13	TRAY, REAR (FOR UNITS WITH HEATER) .....1830-34		W
1D22	TUBE, AIR INTAKE .....0414-1		
1E4	TUBE, OIL COOLER .....0419-2	1H1	WARM UP COMPLETE INDICATOR .....1674-4
1D23	TURBOCHARGER .....0416-2	1D25	WATER PUMP .....0417-2
1D23	TURBOCHARGER HARDWARE KIT.....0416-2	1D25	WATER PUMP FILTER .....0417-2
1D24	TURBOCHARGER OIL LINE TO CYLINDER BLOCK .....0416-3	1D25	WATER PUMP IMPELLER .....0417-2
1D24	TURBOCHARGER OIL LINE TO FILTER.....0416-3	1E1	WATER PUMP INLET .....0417-3



ALPHABETICAL INDEX - CONTINUED

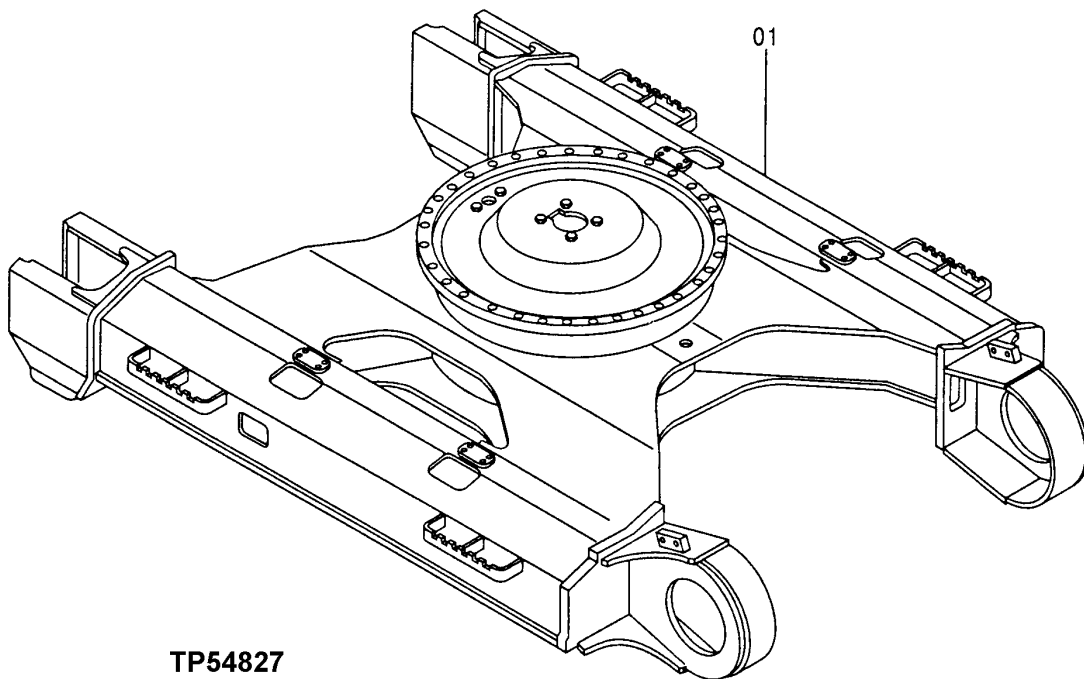
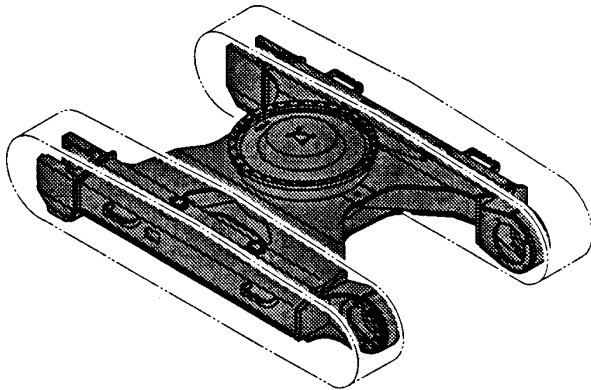
<i>GRID</i>	<i>PAGE</i>	<i>GRID</i>	<i>PAGE</i>
1D25	WATER PUMP KIT.....	0417	- 2
1G11	WATER SEPARATOR .....	0560	- 4
1G11	WATER SEPARATOR PIPING TO ENGINE.....	0560	- 4
1G11	WATER SEPARATOR PIPING TO FUEL TANK .....	0560	- 4
1F21	WATER TANK PIPING TO RADIATOR.....	0510	- 8
1F21	WATER TANK, RESERVE.....	0510	- 8
3B10	WEAR BAR, DITCH CLEANING BUCKET .....	3302	- 4
3B8	WEAR BARS, GENERAL PURPOSE BUCKET .....	3302	- 2
1H22	WEATHERPACK TERMINALS AND CONNECTORS.....	1674	- 26
1I10	WEATHERPACK TERMINALS AND CONNECTORS.....	1674	- 42
2F15	WEATHERSTRIP (SIDE SERVICE DOORS) .....	1910	- 20
2B13	WEATHERSTRIP, CAB DOOR .....	1810	- 10
2B15	WEATHERSTRIP, CAB DOOR .....	1810	- 12
2B17	WEATHERSTRIP, CAB FRONT .....	1810	- 14
2B19	WEATHERSTRIP, CAB FRONT .....	1810	- 16
2B11	WEATHERSTRIP, CAB REAR AND LEFT SIDE .....	1810	- 8
2B23	WEATHERSTRIP, CAB TOP HATCH .....	1810	- 20
2F19	WEATHERSTRIP, TOOL BOX.....	1910	- 24
1J1	WEIGHT, COUNTER .....	1740	- 6
2B21	WINDOW GUARD .....	1810	- 18
2E22	WINDOW GUARDS .....	1910	- 2
2C11	WINDOW WASHER .....	1810	- 32
2B13	WINDOW, CAB DOOR.....	1810	- 10
2B15	WINDOW, CAB DOOR.....	1810	- 12
2B17	WINDOW, CAB FRONT.....	1810	- 14
2B19	WINDOW, CAB FRONT.....	1810	- 16
2B11	WINDOW, CAB REAR AND LEFT SIDE .....	1810	- 8
2B21	WINDOW, CAB RIGHT SIDE .....	1810	- 18
2G10	WINDSHIELD GUARD, LOWER FRONT .....	1913B	- 2
2C11	WINDSHIELD WASHER.....	1810	- 32
2B9	WINDSHIELD WASHER HOSE.....	1810	- 6
2B9	WINDSHIELD WASHER NOZZLE .....	1810	- 6
2B9	WINDSHIELD WIPER.....	1810	- 6
2B9	WINDSHIELD WIPER MOTOR .....	1810	- 6
2B9	WIPER MOTOR, WINDSHIELD.....	1810	- 6
1H1	WIPER SWITCH .....	1674	- 4
2B9	WIPER, WINDSHIELD .....	1810	- 6
1H3	WIRE HARNESS .....	1674	- 6
1H3	WIRE HARNESS EXTENSION .....	1674	- 6
2D14	WIRE HARNESS, AIR CONDITIONER .....	1830	- 10
2D24	WIRE HARNESS, AIR CONDITIONER .....	1830	- 20
2D16	WIRE HARNESS, AIR CONDITIONER COMPRESSOR ....	1830	- 12
1H7	WIRE HARNESS, BATTERY .....	1674	- 10
2E17	WIRE HARNESS, DEFROSTER FAN.....	1830	- 38
2B9	WIRE HARNESS, DOME LIGHT .....	1810	- 6
3G11	WIRE HARNESS, FOOT SWITCH .....	3360	- 80
2D8	WIRE HARNESS, HEATER .....	1830	- 4
1H13	WIRE HARNESS, HORN .....	1674	- 16
1I1	WIRE HARNESS, HORN .....	1674	- 32
1H11	WIRE HARNESS, MAIN.....	1674	- 14
1H24	WIRE HARNESS, MAIN.....	1674	- 30
2C9	WIRE HARNESS, RADIO.....	1810	- 30
2B9	WIRE HARNESS, RADIO SPEAKER .....	1810	- 6
1H5	WIRE HARNESS, RELAYS .....	1674	- 8
1H7	WIRE HARNESS, STARTER .....	1674	- 10
1H3	WIRING HARNESS .....	1674	- 6
1H19	WIRING HARNESS KIT .....	1674	- 22
1I7	WIRING HARNESS KIT .....	1674	- 38
2G5	WIRING HARNESS KIT .....	1919	- 2
1H1	WORK LIGHT SWITCH .....	1674	- 4

ORDER REPAIR AND REPLACEMENT PARTS FROM SECTION 0130 USING JOHN DEERE CAGE CODE 1J955.

MEMORANDA

TP54827 -UN-29MAY97

TRACK FRAME



TP54827

---

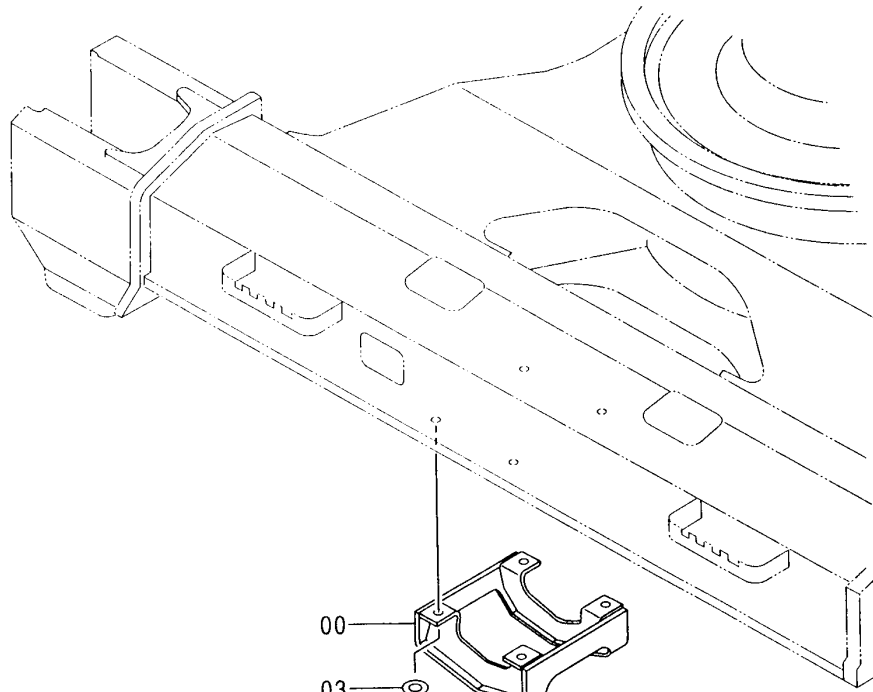
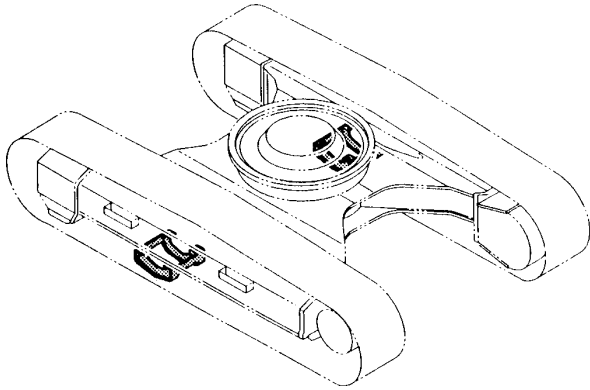
WHEELS, TIRES, TRACKS

TRACK FRAME

KEY	PART NO.	PART NAME	QTY	SERIAL NO.	REMARKS
1	AT218128	FRAME	1		(CONVENIENCE ASSEMBLY)

TP48014 -UN-28MAY96

TRACK GUARD



- 00 — [Bracket]
- 03 — [Nut]
- 02 — [Washer]
- 01 — [Bolt]

TP48014

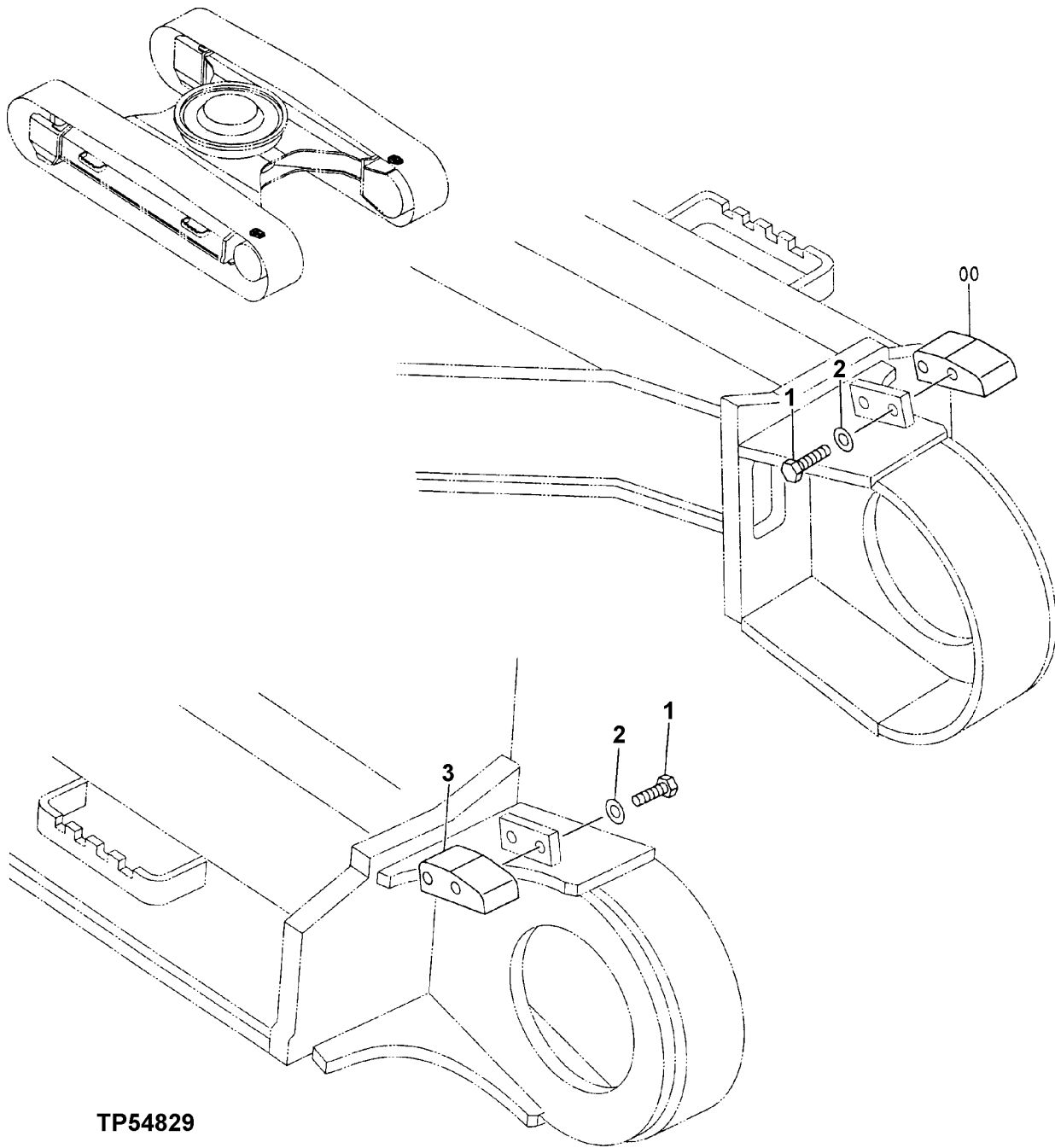
## WHEELS, TIRES, TRACKS

## TRACK GUARD

KEY	PART NO.	PART NAME	QTY	SERIAL NO.	REMARKS
0	AT154841	COVER	2		
1	19M8232	CAP SCREW	8	M18 X 50	
2	12H236	LOCK WASHER	8	19.050 MM (3/4")	
3	AT154553	WASHER	8		

TP54829 -UN-29MAY97

TRACK LINK GUIDE



TP54829

WHEELS, TIRES, TRACKS

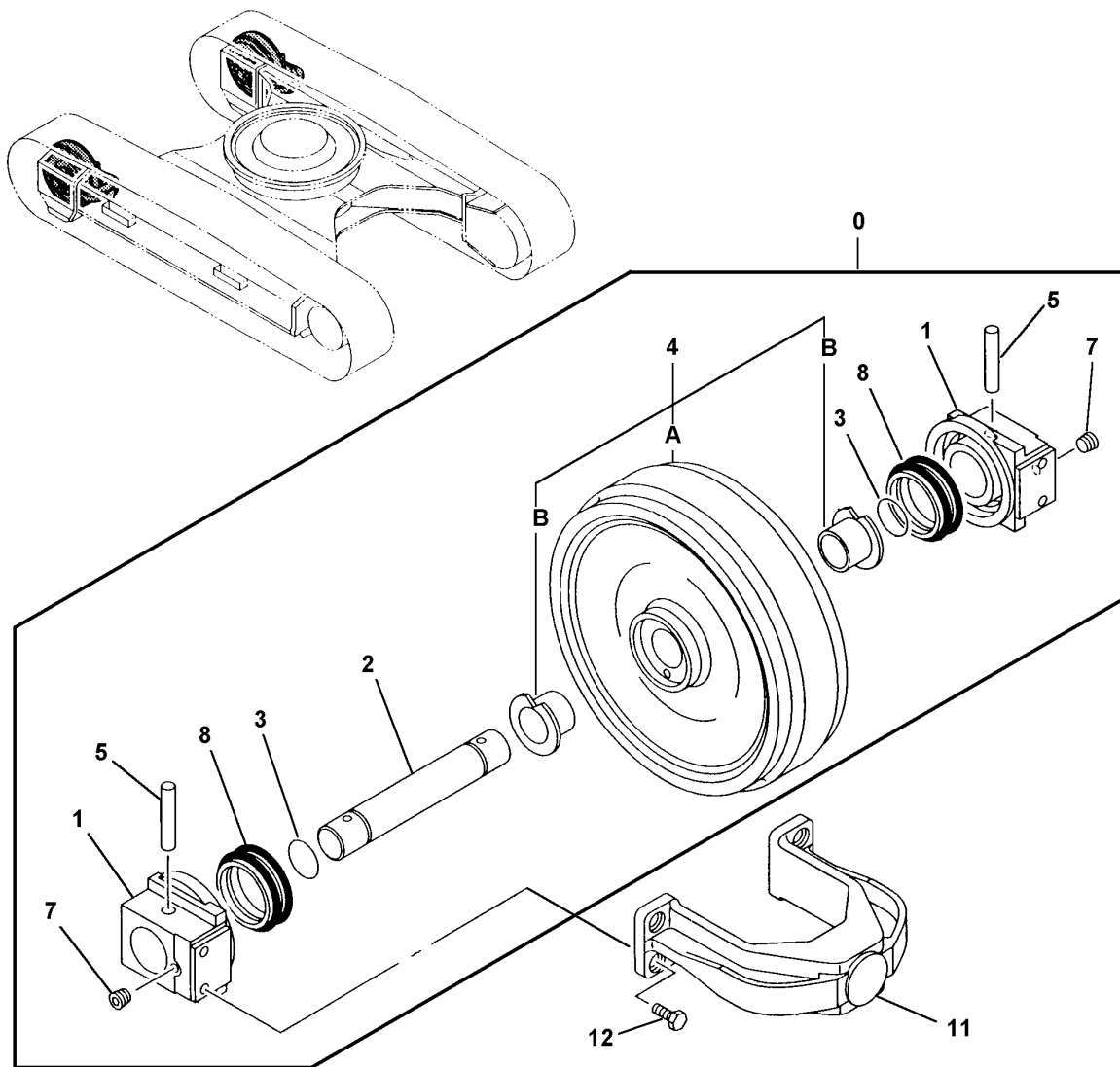
TRACK LINK GUIDE

KEY	PART NO.	PART NAME	QTY	SERIAL NO.	REMARKS
0	AT181147	RETAINER	1		
1	19M7719	CAP SCREW	4	M16 X 70	
2	24M7338	WASHER	4	17 X 30 X 3 MM (0.669" X 1.181" X 0.118")	
3	AT181148	RETAINER	1		



TP66769 -UN-22OCT99

FRONT IDLER



TP66769