

**TECHNICAL MANUAL
MAINTENANCE INSTRUCTIONS
DIRECT SUPPORT AND GENERAL SUPPORT**

**M977 SERIES, 8 x 8 HEAVY
EXPANDED MOBILITY
TACTICAL TRUCKS (HEMTT)**

MODEL	NSN
TRUCK, CARGO, WITH WINCH M977	2320-01-097-0260
TRUCK, CARGO, WITHOUT WINCH M977	2320-01-099-6426
TRUCK, TANK, FUEL, WITH WINCH M978	2320-01-097-0249
TRUCK, TANK, FUEL, WITHOUT WINCH M978	2320-01-100-7672
TRUCK, TRACTOR, WITH WINCH, WITHOUT CRANE M983	2320-01-097-0247
TRUCK, TRACTOR, WITH WINCH, WITH CRANE M983	2320-01-099-6421
TRUCK, WRECKER-RECOVERY M984	2320-01-097-0248
TRUCK, WRECKER-RECOVERY M984E1	2320-01-195-7641
TRUCK, CARGO, WITH WINCH M985	2320-01-097-0261
TRUCK, CARGO, WITHOUT WINCH M985	2320-01-100-7673
TRUCK, CARGO, WITH WINCH M985E1	2320-01-194-7032
TRUCK, CARGO, WITHOUT WINCH M985E1	2320-01-194-7031

Approved for public release; distribution is unlimited.

HEADQUARTERS, DEPARTMENT OF THE ARMY

**TABLE OF CONTENTS
PAGE i**

**M977 AND M985
CRANE MAINTENANCE
PAGE 17-1**

**POWER TAKEOFF (PTO)
AND HYDRAULIC PUMP
MAINTENANCE
PAGE 19-1**

**HYDRAULIC SYSTEM
MAINTENANCE
PAGE 20-1**

**ENGINE ARCTIC HEATER
KIT MAINTENANCE
PAGE 21-1**

**M978 TANKER
MAINTENANCE
PAGE 22-1**

**SPECIAL PURPOSE
KIT MAINTENANCE
PAGE 23-1**

**APPENDIX D
TORQUE LIMITS
PAGE D-1**

**ALPHABETICAL
INDEX
PAGE INDEX 1**

TECHNICAL MANUAL

**HEADQUARTERS
DEPARTMENT OF THE ARMY**
Washington, DC, 3 June 1987

No. 9-2320-279-34-3

MAINTENANCE INSTRUCTIONS
DIRECT SUPPORT AND GENERAL SUPPORT
M977 SERIES, 8 x 8 HEAVY EXPANDED MOBILITY
TACTICAL TRUCKS (HEMTT)

MODEL	NSN
TRUCK, CARGO, WITH WINCH, M977	2320-01-097-0260
TRUCK, CARGO, WITHOUT WINCH, M977	2320-01-099-6426
TRUCK, TANK, FUEL, WITH WINCH, M978	2320-01-097-0249
TRUCK, TANK, FUEL, WITHOUT WINCH, M978	2320-01-100-7672
TRUCK, TRACTOR, WITH WINCH, WITHOUT CRANE, M983	2320-01-097-0247
TRUCK, TRACTOR, WITH WINCH, WITH CRANE, M983	2320-01-099-6421
TRUCK, WRECKER-RECOVERY, M984	2320-01-097-0248
TRUCK, WRECKER-RECOVERY, M984E1	2320-01-195-7641
TRUCK, CARGO, WITH WINCH, M985	2320-01-097-0261
TRUCK, CARGO, WITHOUT WINCH, M985	2320-01-100-7673
TRUCK, CARGO, WITH WINCH, M985E1	2320-01-194-7032
TRUCK, CARGO, WITHOUT WINCH, M985E1	2320-01-194-7031

Approved for public release; distribution is unlimited.

REPORTING ERRORS AND RECOMMENDING IMPROVEMENTS

You can help improve this publication. If you find any mistakes or if you know of a way to improve the procedures, please let us know. Submit your DA Form 2028 (Recommended Changes to Equipment Technical Publications), through the Internet, on the Army Electronic Product Support (AEPS) Web site. The Internet address is <http://aeprs.ria.army.mil>. If you need a password, scroll down and click on "ACCESS REQUEST FORM." The DA Form 2028 is located in the ONLINE FORMS PROCESSING section of the AEPS. Fill out the form and click on SUBMIT. Using this form on the AEPS will enable us to respond quicker to your comments and better manage the DA Form 2028 program. You may also mail, fax, or e-mail your letter or DA Form 2028 direct to: AMSTA-LC-CI/TECH PUBS, TACOM-RI, 1 Rock Island Arsenal, Rock Island, IL 61299-7630. The e-mail address is TACOM-TECH-PUBS@ria.army.mil. The fax number is DSN 793-0726 or Commercial (309) 782-0726.

M983 with crane and M985E1 without winch are no longer in the fleet. Ignore all references to these vehicles. The M984E1 and M984A1 are the same vehicle. All references to M984E1 shall be interpreted as the M984A1 model.

TABLE OF CONTENTS

	Page
CHAPTER 17 M977, M984E1, AND M985 CRANE MAINTENANCE	17-1
Section I Introduction	17-2
Section II Crane, Subframe, and Swing Drive	17-2.1
Section III Boom, Mast, and Extensions	17-50.14
Section IV Cylinders	17-68
Section V Hoist	17-91
Section VI Crane Control Systems	17-117
Section VII Outriggers	17-153

	Page
CHAPTER 18 Deleted	
CHAPTER 19 POWER TAKEOFF (PTO) AND HYDRAULIC PUMP MAINTENANCE	19-1
Section I Introduction	19-1
Section II Power Takeoff (PTO)	19-1
Section III Hydraulic Pump	19-12.11
CHAPTER 20 HYDRAULIC SYSTEM MAINTENANCE	20-1
Section I Introduction	20-1
Section II Hydraulic Hand Pump	20-1
Section III Hydraulic Control Valves	20-5
■ CHAPTER 21 ARCTIC HEATER KIT MAINTENANCE	21-1
Section I Introduction	21-1
■ Section II Arctic Heater Kit	21-1
CHAPTER 22 M978 TANKER MAINTENANCE	22-1
Section I Introduction	22-1
Section II Service and Inspection	22-2
Section III Pump, Pump Motor, and Auxiliary Pump	22-10
Section IV Flow Meter	22-31
Section V Air Eliminator	22-44
Section VI Valves..	22-47
Section VII Fuel Service Nozzle	22-105
CHAPTER 23 SPECIAL PURPOSE KIT INSTALLATION	23-1
Section I Introduction	23-1
Section II Arctic Heater Kit	23-1
Section III Armament Equipment	23-25
Section IV Radio	23-33
Section V Chemical, Biological, and Radiological (CBR) Equipment	23-40
APPENDIXES	
A REFERENCES	A-1
B ILLUSTRATED LIST OF MANUFACTURED ITEMS	B-1
C EXPENDABLE SUPPLIES AND MATERIALS LIST	C-1
D TORQUE LIMITS	D-1
INDEX	Index 1

LIST OF ILLUSTRATIONS

Figure	Title	Page
17-1	Hoist Hoses and Tubes (Left Side)	17-5
17-2	Hoist Hoses and Tubes (Right Side)	17-6
17-3	Telescoping Cylinders, Hoses, and Tubes.	17-7
17-4	Telescoping Cylinders, Hoses, and Tubes.	17-8
17-5	Boom Cylinders, Hoses, and Tubes	17-9
17-6	Boom Cylinders, Hoses, and Tubes	17-10
17-7	Mast Erection Cylinders, Hoses, and Tubes.	17-11
17-8	Swing Drive Hoses and Tubes.	17-12
17-9	Main Hydraulic Hoses and Tubes	17-13
17-10	Main Control Valve	17-15
17-11	Overload Solenoid (M977 Only)	17-16
17-12	Hoist Hoses and Tubes (Left Side)	17-16.4
17-13	Hoist Hoses and Tubes (Right Side)	17-16.5
17-14	Lift Cylinder	17-16.6
17-15	Swing Drive	17-16.7
17-16	Main Lines	17-16.8
17-17	Shutdown Valves	17-16.9
17-18	Shutdown Valves	17-16.10
17-19	Accumulator	17-16.11
17-20	Control Valve	17-16.12
17-21	Control Valve	17-16.13
17-22	Control Valve	17-16.14
17-23	Left Hand Valve	17-16.15
17-24	Outrigger Manifold	17-16.16
17-25	Outrigger Cylinders	17-16.17
18-1	Extensions No. 3 and No. 4 Hoses and Tubes (Hose Reel Side)	18-76
18-2	Extensions No. 3 and No. 4 Hoses and Tubes (Hose Reel Side)	18-77
18-3	Extensions No. 1 and No. 2 Hoses and Tubes (Hose Reel Side)	18-78
18-4	Extensions No. 1 and No. 2 Hoses and Tubes (Hoist Cable Tiedown Block Side).	18-79
18-5	Extensions No. 1 and No. 2 Hoses and Tubes	18-80
18-6	Hoist Hoses and Tubes (Hose Reel Side)	18-81
18-7	Hoist Hoses and Tubes (Hose Reel Side)	18-82
18-8	Hoist Hoses and Tubes (Hoist Cable Tiedown Block Side)	18-83
18-9	Inner Boom Hoses and Tubes	18-84
18-10	Unfolding Cylinders Hoses and Tubes	18-85
18-11	Main Hydraulic Tubes	18-86
18-12	Slewing System Tubes	18-87
18-13	Outrigger Control Tubes	18-88
18-14	Outrigger Hoses and Tubes	18-89
18-15	Main Control Valve Ports	18-90
22-1	Tanker External Components	22-5
22-2	Tanker Filter and Manual Dispensing Components	22-6
22-3	Tanker Dispensing Components-Valves	22-7
22-4	Tanker Loading and Unloading Components	22-8
22-5	Tanker Gages, Air, and Electrical Components	22-9
B-1	Lifting Eyes (PN 2BH944)	B-2
B-2	Shims	B-2
B-3	Detent Ball Compression Tool (Heavy-Duty Winch) (PN IPP161)	B-3
B-4	Crane Hoist Drive Unit Pressure Plate Removal/Instaliation Tool (M983)	B-3
B-5	Arctic Heater Test Set	B-4
B-6	Hydraulic Hand Pump Tool (M983) (PN 2CS30)	B-6
B-7	Hydraulic Hand Pump Tool (M983) (PN 2CS31)	B-7
B-8	V5 Air Actuated Valve Spring Compression Tool (M978) (PN 2SK886)	B-9
B-9	UnloaderBoreBushing Tool	B-10
B-10	Air compressor Cylinder Head Removal Tool (PN 2AH762)	B-10
B-11	Spanner Socket	B-10
B-12	Hoses and Hose Assemblies	B-14
B-13	Locking Strips	B-17
B-14	Locking Channel	B-18
B-15	Harness Wire	B-18
FO-1	Hydraulic Schematic	FP-1
FO-2	Crane Wiring Diagrams	FP-23
FO-3	Crane Electrical Schematic	FP-29

LIST OF TABLES

Number	Title	Page
17-1	Hoist Hoses and Tubes (Left Side)	17-5
17-2	Hoist Hoses and Tubes (Right Side)	17-6
17-3	Telescoping Cylinders, Hoses, and Tubes	17-7
17-4	Telescoping Cylinders, Hoses, and Tubes	17-8
17-5	Boom Cylinders, Hoses, and Tubes	17-9
17-6	Boom Cylinders, Hoses, and Tubes	17-10
17-7	Mast Erection Cylinders, Hoses, and Tubes	17-11
17-8	Swing Drive Hoses and Tubes	17-12
17-9	Main Hydraulic Hoses and Tubes	17-13
17-10	Main Control Valve	17-14
17-11	Overload Solenoid (M977 Only)	17-16
17-12	Hoist Hoses and Tubes (Left Side)	17-16.3
17-13	Hoist Hoses and Tubes (Right Side)	17-16.5
17-14	Lift Cylinder	17-16.6
17-15	Swing Drive	17-16.7
17-16	Main Lines	17-16.8
17-17	Shutdown Valves	17-16.9
17-18	Shutdown Valves	17-16.10
17-19	Accumulator	17-16.11
17-20	Control Valve	17-16.12
17-21	Control Valve	17-16.13
17-22	Control Valve	17-16.14
17-23	Left Hand Valve	17-16.15
17-24	Outrigger Manifold	17-16.16
17-25	Outrigger Cylinders	17-16.17
18-1	Extensions No. 3 and No. 4 Hoses and Tubes (Hose Reel Side)	18-76
18-2	Extensions No. 3 and No. 4 Hoses and Tubes (Hose Reel Side)	18-77
18-3	Extensions No. 1 and No. 2 Hoses and Tubes (Hose Reel Side)	18-78
18-4	Extensions No. 1 and No. 2 Hoses and Tubes (Hoist Cable Tiedown Block Side)	18-79
18-5	Extensions No. 1 and No. 2 Hoses and Tubes	18-80
18-6	Hoist Hoses and Tubes (Hose Reel Side)	18-81
18-7	Hoist Hoses and Tubes (Hose Reel Side)	18-82
18-8	Hoist Hoses and Tubes (Hoist Cable Tiedown Block Side)	18-83
18-9	Inner Boom Hoses and Tubes	18-84
18-10	Unfolding Cylinders Hoses and Tubes	18-85
18-11	Main Hydraulic Tubes	18-86
18-12	Slewing System Tubes	18-87
18-13	Outrigger Control Tubes	18-88
18-14	Outrigger Hoses and Tubes	18-89
18-15	Main Control Valve Ports	18-90
B-1	Hoses and Hose Assemblies	B-14
B-2	Locking Strips	B-17
B-3	Locking Channel	B-18
B-4	Harness Assembly	B-18
B-5	M1977-CBT Components	B-21
D-1	Torque Limits for Dry Fasteners	D-2
D-2	Torque Limits for Wet Fasteners	D-3
D-3	Dry Torque Limits for M983 Crane (Metric)	D-4

CHAPTER 17

M977, M985, and M984E1 CRANE MAINTENANCE

Contents	Para	Page
General	17-1	17-2
Hydraulic Hoses, Tubes, and Fittings Removal/Installation	17-2	17-2.1
Hydraulic Hoses, Tubes, and Fittings Removal/Installation (M984E1)	17-2.1	17-16
Crane Removal/Installation	17-3	17-17
Crane Removal/Installation	17-3.1	17-20
Subframe Removal/Installation	17-4	17-20.5
Turntable and Bearing Removal/Installation	17-5	17-22
Turntable and Bearing Removal/Installation (M984E1)	17-5.1	17-26
Turntable Stop Removal/Installation (M984E1)	17-5.2	17-26.3
Swing Drive Valve Removal/Repair/Installation	17-6	17-26.4
Swing Drive Valve Removal/Repair/Installation (M984E1)	17-6.1	17-28.1
Swing Drive Motor Removal/Repair/Installation	17-7	17-29
Swing Drive Motor Removal/Repair/Installation (M984E1)	17-7.1	17-34.1
Swing Drive Brake Removal/Repair/Installation	17-8	17-35
Swing Drive Brake Removal/Repair/Installation (M984E1)	17-8.1	17-38.1
Swing Drive Removal/Repair/Installation	17-9	17-39
Swing Drive Removal/Repair/Installation (M984E1)	17-9.1	17-50.3
Boom Removal/Installation	17-10	17-50.14
Boom Removal/Installation (M984E1)	17-10.1	17-56
Mast and Bushings Removal/Installation	17-11	17-56.4
Mast and Bushings Removal/Installation (M984E1)	17-11.1	17-58.1
Extension No. 1 and Wear Pads Removal/Installation	17-12	17-59
Extension No. 1 and Wear Pads Removal/Installation (M984E1)	17-12.1	17-62.1
Extension No. 2 and Wear Pads Removal/Installation	17-13	17-63
Extension No. 2 and Wear Pads Removal/Installation (M984E1)	17-13.1	17-68
Erection Cylinder Removal/Installation (M977, M985)	17-14	17-68.4
Erection Cylinder Removal/Installation (M984E1)	17-14.1	17-72
Erection Cylinder Repair	17-15	17-72.3
Lift Cylinder Removal/Installation	17-16	17-76
Lift Cylinder Removal/Installation (M984E1)	17-16.1	17-78.1
Lift Cylinder Repair	17-17	17-79
Extension No. 1 and No. 2 Cylinder and Wear Pads Removal/Installation	17-18	17-83
Extension No. 1 and No. 2 Cylinder and Wear Pads Removal/Installation (M984E1) ..	17-18.1	17-86
Extension Cylinder Repair	17-19	17-86.2
Extension Cylinder Repair (M984E1)	17-19.1	17-90.1
Tension Cylinder Removal/Repair/Installation (M984E1)	17-19.2	17-90.6
Hoist Assembly and Pivot Bushings Removal/Installation	17-20	17-91
Hoist Cable Follower Repair (M977, M985)	17-20.1	17-92.1
Hoist Cable Guide Removal/Installation (M977, M985)	17-20.2	17-92.8
Hoist Drive Motor Control Valve Removal/Repair/Installation	17-21	17-93
Hoist Motor Valve Assembly Removal/Repair/Installation (M984E1)	17-21.1	17-96.1
Hoist Drive Motor Removal/Repair/Installation	17-22	17-96.6
Hoist Drive Motor Removal/Repair/Installation (M984E1)	17-22.1	17-100
Hoist Assembly Repair	17-23	17-100.5
Hoist Brake Removal/Repair/Installation	17-24	17-106
Hoist Brake Removal/Repair/Installation (M984E1)	17-24.1	17-114
Hoist Adjustment (M977 and M985)	17-25	17-114.7
Hoist Adjustment (M984E1)	17-25.1	17-116.1
Eight Bank Valve Body and Mounting Bracket Removal/Installation	17-26	17-117
Eight Bank Valve Body Mounting Bracket Removal/Installation	17-27	17-120
Eight Bank Valve Body Repair	17-28	17-123
Right Hand Control Valves Mounting Bracket Removal/Installation (M984E1)	17-28.1	17-138
Left Hand Control Valve Body Removal/Repair/Installation (M984E1)	17-28.2	17-138.1

Contents	Para	Page
Right Hand Rear Control Valve Body Removal/Repair/Installation (M984E1)	17-28.3	17-138.6
Right Hand Front Control Valve Body Removal/Repair/Installation (M984E1)	17-28.4	17-138.12
Solenoid Removal/Installation	17-29	17-138.25
Solenoid Removal/Installation (M984E1)	17-29.1	17-140
Accumulator Removal/Repair/Charging/Installation	17-30	17-140.2
Main Hydraulic Pressure Adjustment	17-31	17-144
Main Hydraulic Pressure Adjustment (M984E1)	17-31.1	17-146
Lift Down and Shut Down Solenoids Removal/Repair/Installation	17-32	17-146.2
Lift Down and Shut Down Solenoids Removal/Repair/Installation (M984E1)	17-32.1	17-150
Overload Sensor Switch Adjustment	17-33	17-150.5
Overload Sensor Switches Adjustment (M984E1)	17-33.1	17-152.1
Outrigger Removal/Installation	17-34	17-153
Outrigger Leg Cylinder Removal/Installation	17-35	17-155
Outrigger Leg Cylinder Repair	17-36	17-157
Outrigger Leg Cylinder Removal/Installation (M984E1)	17-36.1	17-161
Outrigger Leg Cylinder Repair (M984E1)	17-36.2	17-162
Outrigger Extensions Removal/Installation	17-37	17-162.4
Outrigger Extension Cylinder Removal/Installation	17-38	17-165
Outrigger Outer Beam and Extension Cylinder Removal/Installation (M984E1)	17-38.1	17-168
Outrigger Inner Beam Removal/Installation (M984E1)	17-38.2	17-170.5
Outrigger Extension Cylinder Repair	17-39	17-170.7
Outrigger Inner Beam Extension Cylinder Removal/Installation (M984E1)	17-40	17-172
Outrigger Inner and Outer Beam Cylinder Repair (M984E1)	17-41	17-174
Crane Cylinder Test	17-42	17-177

Section I. INTRODUCTION

17-1. GENERAL. This chapter contains maintenance instructions for removing, installing, and repairing the M977 and M985 crane components at the direct support and general support maintenance level. The subassemblies and parts which must be removed before the crane components can be removed are referenced to other paragraphs or chapters of this manual or TM 9-2320-279-20.

Section II. CRANE, SUBFRAME, AND SWING DRIVE

M977, M985, and M984E1 Crane Maintenance Instructions

17-2. HYDRAULIC HOSES, TUBES, AND FITTINGS REMOVAL/INSTALLATION.

This task covers:

- | | |
|--|--|
| <ul style="list-style-type: none"> a. Disconnect Quick Couplings b. Connect Quick Couplings c. Disconnect Hydraulic Hoses and Tubes d. Connect Hydraulic Hoses and Tubes e. Type 1 Clamp Removal f. Type 1 Clamp Installation g. Type 2 Clamp Removal h. Type 2 Clamp Installation | <ul style="list-style-type: none"> i. Type 3 Clamp and Bracket Removal j. Type 3 Clamp and Bracket Installation k. Type 4 Clamp Removal l. Type 4 Clamp Installation m. Type 5 Clamp Removal n. Type 5 Clamp Installation o. Hydraulic Hose and Tube Removal/Installation p. Follow-on Maintenance |
|--|--|

INITIAL SETUP

Models

M977, M985

Test Equipment

None

Special Tools

None

Supplies

Tags, identification, Item 60, Appendix C

Personnel Required

MOS 63W, Wheel vehicle repairer

References

None

Equipment Condition

TM or Para

TM 9-2320-279-10 Crane in operating position and supported by suitable lifting device.

TM 9-2320-279-10 Shut off engine.

Special Environmental Conditions

None

General Safety Instructions

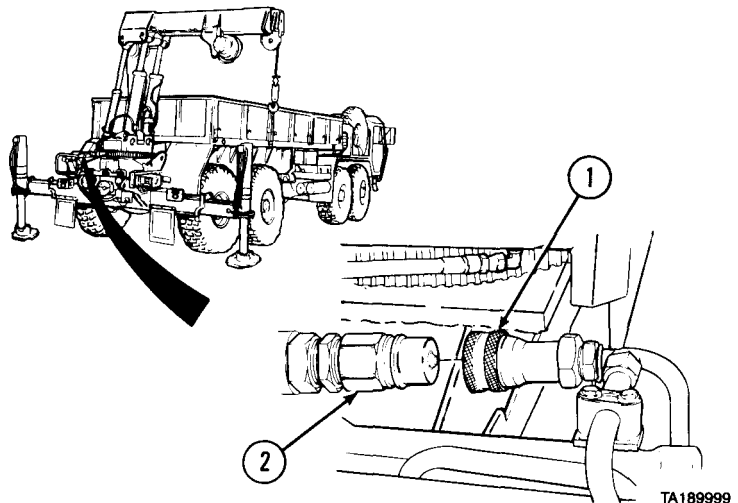
None

Level of Maintenance

Direct Support

NOTE

- Subparagraphs a through n show all typical connections and clamps used on the M977 and M985 cranes.
- This procedure is for reference only to show location of hoses, tubes, and fittings used on the M977 and M985 cranes. It will never be necessary to remove all hydraulic hoses at one time. Individual procedures will indicate the area where hoses are to be removed and installed.



a. *Disconnect Quick Couplings.* Push ring (1) away from hose fitting (2) and pull hose free.

b. *Connect Quick Couplings.* Push ring (1) away from hose fitting (2) and push hose in until seated. Release ring (1) while holding pressure on hose fitting (2).

M977, M985, and M984E1 Crane Maintenance Instructions (Cont)

NOTE

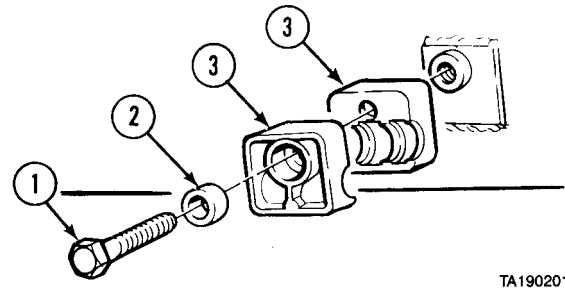
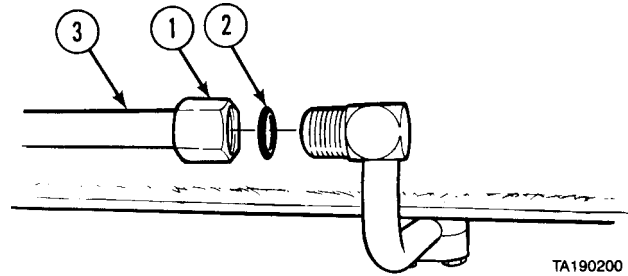
Some hoses and tubes will not have preformed packings.

c. *Disconnect Hydraulic Hoses and Tubes.* Loosen fitting (1). Remove preformed packing (2) and hose (3).

d. *Connect Hydraulic Hoses and Tubes.* Connect fitting (1) with preformed packing (2) and tighten.

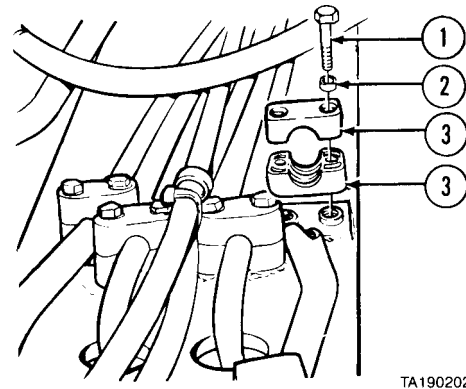
e. *Type 1 Clamp Removal.* Remove screw (1), spacer (2), and clamps (3).

f. *Type 1 Clamp Installation.* Install clamps (3) and spacer (2) with screw (1).



g. *Type 2 Clamp Removal.* Remove two screws (1), spacers (2), and clamps (3).

h. *Type 2 Clamp Installation.* Install clamps (3) and spacers (2) with two screws (1).



i. *Type 3 Clamp and Bracket Removal.* Remove nut (1), lockwasher (2), washer (3), clamp (4), and bracket (5) from stud (6).

j. *Type 3 Clamp and Bracket Installation.* Install bracket (5) and clamp (4) on stud (6) with washer (3), lockwasher (2), and nut (1).

