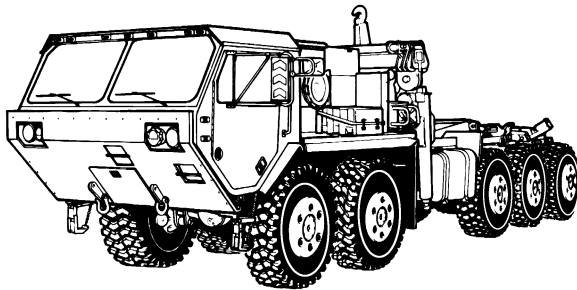


## TECHNICAL MANUAL UNIT MAINTENANCE VOLUME IV

## PALLETIZED LOAD SYSTEM



**MODEL M1074/M1075**

**NSN 2320-01-304-2277**

**NSN 2320-01-304-2278**

**DISTRIBUTION RESTRICTION**  
Approved for public release;  
distribution is unlimited.

AXLES TROUBLESHOOTING	2-2975
SUSPENSION TROUBLESHOOTING	2-3019
WHEELS AND TIRES TROUBLESHOOTING	2-3025
ARCTIC KIT WATER PUMP TROUBLESHOOTING	2-3038
INTERFACE TROUBLESHOOTING	2-3055
CONTAINER HANDLING UNIT (CHU) TROUBLESHOOTING	2-3136
ENGINE MAINTENANCE	3-1
FUEL SYSTEM MAINTENANCE	4-1
EXHAUST SYSTEM MAINTENANCE	5-1
COOLING SYSTEM MAINTENANCE	6-1
ELECTRICAL MAINTENANCE	7-1
TRANSMISSION MAINTENANCE	8-1
TRANSFER CASE MAINTENANCE	9-1
DRIVESHAFT MAINTENANCE	10-1
AXLES MAINTENANCE	11-1
BRAKE MAINTENANCE	12-1
MAINTENANCE ALLOCATION CHART	B-1
MANDATORY REPLACEMENT PARTS	F-1

# Unit Maintenance Manual PALLETIZED LOAD SYSTEM

MODEL M1074/M1075  
NSN 2320-01-304-2277  
NSN 2320-01-304-2278

Current as of 01 August 1999

## REPORTING OF ERRORS AND RECOMMENDING IMPROVEMENTS

You can help improve this publication. If you find any mistakes or if you know of a way to improve the procedures, please let us know. Submit your DA Form 2028 (Recommended Changes to Publications and Blank Forms), through the Internet, on the Army Electronic Product Support (AEPS) website. The Internet address is <http://aeps.ria.army.mil>. If you need a password, scroll down and click on "ACCESS REQUEST FORM." The DA Form 2028 is located in the ONLINE FORMS PROCESSING section of the AEPS. Fill out the form and click on SUBMIT. Using this form on the AEPS will enable us to respond quicker to your comments and better manage the DA Form 2028 program. You may also mail, fax or email your letter, DA Form 2028, or DA Form 2028-2, located at the back of this manual direct to: Commander, U.S. Army Tank-automotive and Armaments Command, ATTN: AMSTA-AC-NML, Rock Island, IL 61299-7630. The email address is [amsta-ac-nml@ria.army.mil](mailto:amsta-ac-nml@ria.army.mil). The fax number is DSN 793-0726 or Commercial (309) 782-0726. A reply will be furnished to you.

## TABLE OF CONTENTS

	Page
CHAPTER 2    VEHICLE MAINTENANCE (CONT).	
Section IV    Troubleshooting .....	2-97
Section VI    Maintenance Procedures .....	2-3210
CHAPTER 3    ENGINE MAINTENANCE .....	3-1
CHAPTER 4    FUEL SYSTEM MAINTENANCE .....	4-1
CHAPTER 5    EXHAUST SYSTEM MAINTENANCE .....	5-1
CHAPTER 6    COOLING SYSTEM MAINTENANCE .....	6-1
CHAPTER 7    ELECTRICAL SYSTEM MAINTENANCE .....	7-1
CHAPTER 8    TRANSMISSION MAINTENANCE .....	8-1
CHAPTER 9    TRANSFER CASE MAINTENANCE .....	9-1

\* This manual supersedes TM 9-2320-364-20-4, 1 April 1998.

	<b>Page</b>
CHAPTER 10	10-1
DRIVESHAFT AND UNIVERSAL JOINT MAINTENANCE	..... 10-1
CHAPTER 11	11-1
AXLES MAINTENANCE	..... 11-1
CHAPTER 12	12-1
BRAKE MAINTENANCE	..... 12-1
<b>APPENDIXES</b>	
A	A-1
REFERENCES	..... A-1
B	B-1
MAINTENANCE ALLOCATION CHART	..... B-1
C	C-1
EXPENDABLE/DURABLE SUPPLIES AND MATERIALS LIST	..... C-1
D	D-1
ILLUSTRATED LIST OF MANUFACTURED ITEMS	..... D-1
E	E-1
TORQUE LIMITS	..... E-1
F	F-1
MANDATORY REPLACEMENT PARTS	..... F-1
G	G-1
TOOL IDENTIFICATION LIST	..... G-1
INDEX	INDEX-1
INDEX	..... INDEX-1
SCHEMATICS	SCHMTC-1
SCHEMATICS	..... SCHMTC-1
Section I	145 Amp Alternator and DDEC II Engine
Section II	200 Amp Alternator and DDEC III Engine

## HOW TO USE THIS MANUAL

This manual is designed to help maintain the Model M1074/M1075 Palletized Load System (PLS) truck. Listed below are some special features included in this manual to help locate and use the needed information:

- A front cover table of contents is provided for quick reference to chapters and sections that will be used often.
- **WARNING**, **CAUTION**, and **NOTE** headings, subject headings, and other essential information are printed in bold type making them easier to see.
- The maintenance tasks describe what must be done to the truck before starting the task (Equipment Condition), and what must be done to return the vehicle to operating condition after the task is finished (Follow-On Maintenance).
- The Appendixes are located at the end of the manual. They contain a reference guide to other manuals, the Maintenance Allocation Chart (MAC), a list of expendable supplies and materials, and other material for maintaining the PLS truck.
- In addition to text, there are exploded-view illustrations showing how to take a component off and put it back on. Cleaning and inspection procedures are also included as required.
- Chapter 2 of this manual covers Unit level Preventive Maintenance Checks and Services (PMCS) and basic troubleshooting, as well as general maintenance.
- Chapters 3 through 12 of this manual cover Unit Maintenance for each PLS truck system.

Follow these guidelines when using this manual:

- Read all **WARNINGS** and **CAUTIONS** before performing any procedure.
- The equipment conditions found in the maintenance procedures are of a general nature and the mechanic may be able to perform only certain steps within a procedure to accomplish the equipment condition.

**2-33. AXLES TROUBLESHOOTING.**

This paragraph covers Axles System Troubleshooting. The Axles System Fault Index, Table 2-61, lists faults for the axles system of the PLS truck. Refer to wiring and air schematics, Figures 2-72 and 2-73, when performing tests and corrective actions.

**Table 2-61. Axles System Fault Index**

Fault No.	Description	Page
1.	Axle Differential(s) Unusually Noisy When Operating .....	2-2978
2.	Differential Side To Side Lockup Will Not Engage With CTIS In Emergency With Transfer Case In Low .....	2-2982
3.	Interaxle Front To Rear Lockup Will Not Engage With CTIS In Mud, Sand And Snow .....	2-3004

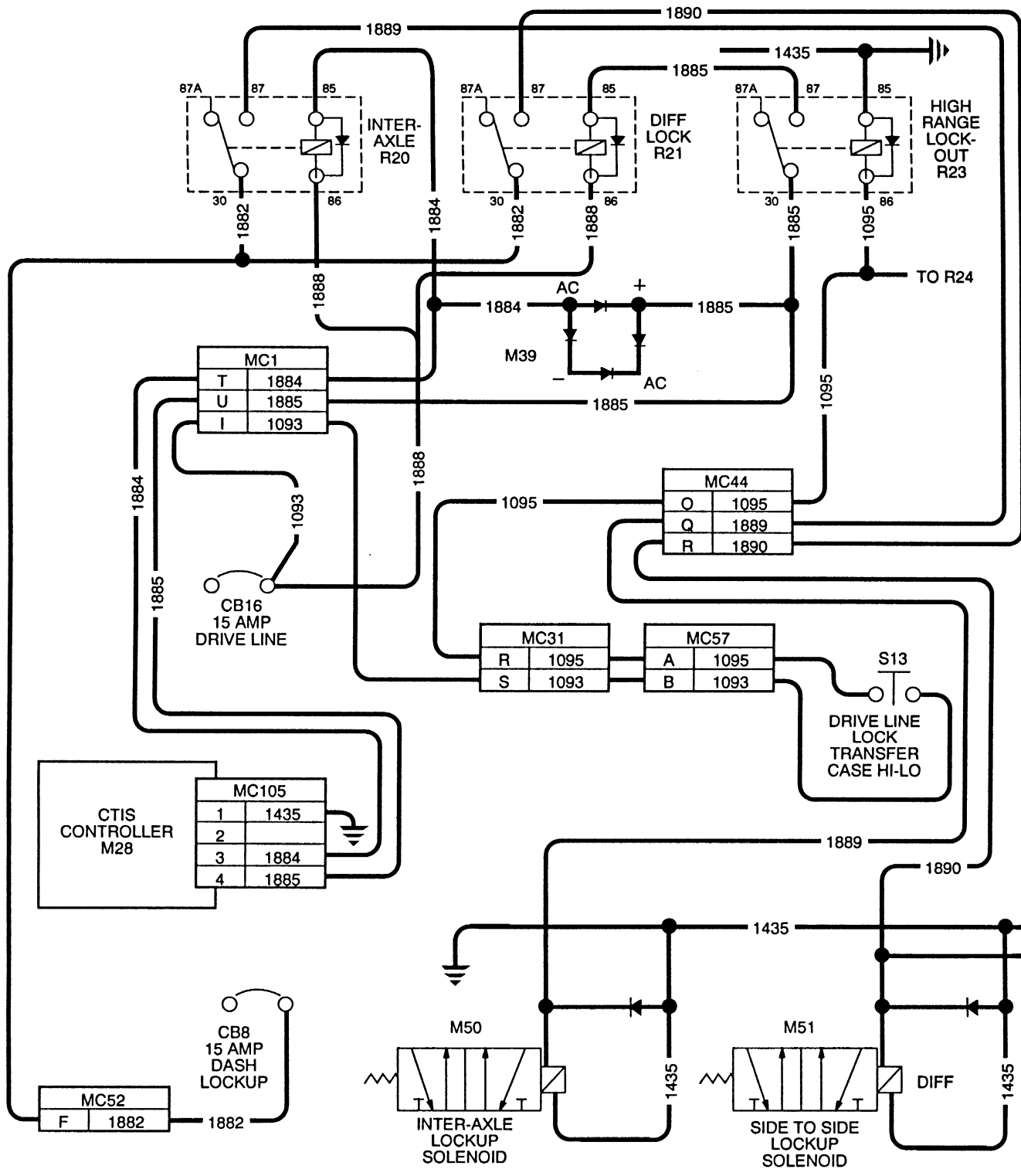


Figure 2-72. Interaxle/Differential Lockup Wiring Schematic

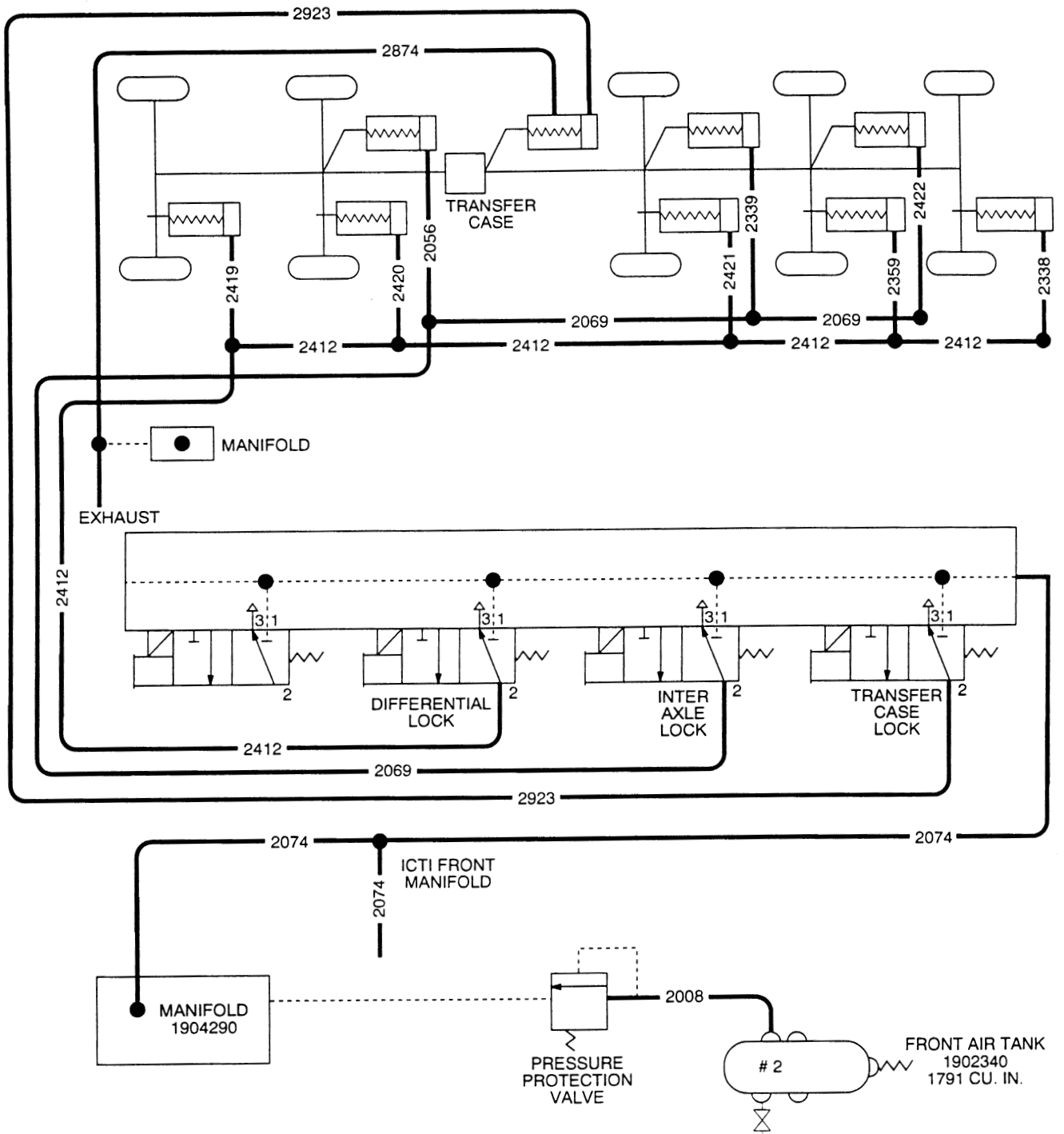


Figure 2-73. Interaxle/Differential Lockup Air Schematic