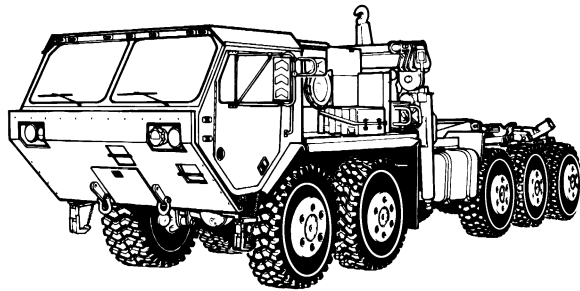


TECHNICAL MANUAL

DIRECT SUPPORT AND GENERAL SUPPORT MAINTENANCE VOLUME III

PALLETIZED LOAD SYSTEM



MODEL M1074/M1075

NSN 2320-01-304-2277

NSN 2320-01-304-2278

FRAME MAINTENANCE	13-1
SPRINGS AND SHOCKS MAINTENANCE	14-1
CAB ACCESSORY MAINTENANCE	15-1
MATERIAL HANDLING CRANE, SELF-RECOVERY WINCH AND LOAD HANDLING SYSTEM MAINTENANCE	16-1
HYDRAULIC SYSTEM MAINTENANCE	17-1
SPECIAL PURPOSE KITS MAINTENANCE	18-1
CBR EQUIPMENT MAINTENANCE	19-1
REFERENCES	A-1
EXPENDABLE SUPPLIES AND MATERIALS	B-1
MANUFACTURED ITEMS	C-1
TORQUE LIMITS	D-1
MANDATORY REPLACEMENT PARTS	E-1
TOOL IDENTIFICATION LIST	F-1

DISTRIBUTION RESTRICTION
Approved for public release;
distribution is unlimited.

TECHNICAL MANUAL

No. 9-2320-364-34

**HEADQUARTERS
DEPARTMENT OF THE ARMY**
Washington, D.C. 01 August 1999

Direct Support and General Support Maintenance Manual**PALLETIZED LOAD SYSTEM**

**MODEL M1074/M1075
NSN 2320-01-304-2277
NSN 2320-01-304-2278**

Current as of 01 August 1999

REPORTING OF ERRORS AND RECOMMENDING IMPROVEMENTS

You can help improve this publication. If you find any mistakes or if you know of a way to improve the procedures, please let us know. Submit your DA Form 2028 (Recommended Changes to Publications and Blank Forms), through the Internet, on the Army Electronic Product Support (AEPS) website. The Internet address is <http://aeprs.ria.army.mil>. If you need a password, scroll down and click on "ACCESS REQUEST FORM." The DA Form 2028 is located in the ONLINE FORMS PROCESSING section of the AEPS. Fill out the form and click on SUBMIT. Using this form on the AEPS will enable us to respond quicker to your comments and better manage the DA Form 2028 program. You may also mail, fax or email your letter, DA Form 2028, or DA Form 2028-2, located at the back of this manual direct to: Commander, U.S. Army Tank-automotive and Armaments Command, ATTN: AMSTA-AC-NML, Rock Island, IL 61299-7630. The email address is amsta-ac-nml@ria.army.mil. The fax number is DSN 793-0726 or Commercial (309) 782-0726. A reply will be furnished to you.

TABLE OF CONTENTS

		Page
CHAPTER 13	FRAME MAINTENANCE	13-1
CHAPTER 14	SPRINGS AND SHOCKS MAINTENANCE	14-1
CHAPTER 15	CAB ACCESSORY MAINTENANCE	15-1
CHAPTER 16	MATERIAL HANDLING CRANE, SELF-RECOVERY WINCH, AND LOAD HANDLING SYSTEM MAINTENANCE	16-1
CHAPTER 17	HYDRAULIC SYSTEM MAINTENANCE	17-1
CHAPTER 18	SPECIAL PURPOSE KITS MAINTENANCE	18-1
CHAPTER 19	CHEMICAL, BIOLOGICAL, AND RADIOLOGICAL (CBR) EQUIPMENT MAINTENANCE	19-1

* This manual supersedes TM 9-2320-364-34-3, 31 March 1994.

TABLE OF CONTENTS (CONT).

APPENDIX A	REFERENCES	A-1
APPENDIX B	EXPENDABLE/DURABLE SUPPLIES AND MATERIALS LIST	B-1
APPENDIX C	ILLUSTRATED LIST OF MANUFACTURED ITEMS	C-1
APPENDIX D	TORQUE LIMITS	D-1
APPENDIX E	MANDATORY REPLACEMENT PARTS	E-1
APPENDIX F	TOOL IDENTIFICATION LIST	F-1
INDEX	INDEX-1
SCHEMATICS	SCHMTC-1
Section I	145 Amp Alternator and DDEC II Engine	
Section II	200 Amp Alternator and DDEC III Engine	

HOW TO USE THIS MANUAL

This manual is designed to help maintain the Model M1074/M1075 Palletized Load System (PLS) truck. Listed below are some special features included in this manual to help locate and use the needed information:

- A front cover table of contents is provided for quick reference to chapters and sections that will be used often.
- Warning, caution, and note headings, subject headings, and other essential information are printed in bold type making them easier to see.
- The maintenance tasks describe what must be done to the truck before starting the task (Equipment Condition), and what must be done to return the vehicle to operating condition after the task is finished (Follow-On Maintenance).
- The Appendixes are located at the end of the manual. They contain a reference guide to other manuals, a list of expendable supplies and materials, and other material for maintaining the PLS truck.
- In addition to text, there are exploded-view illustrations showing how to take a component off and put it back on. Cleaning and inspection procedures are also included as required.
- Chapters 13 through 19 of this manual cover Direct Support Maintenance for each PLS truck system.

Follow these guidelines when using this manual:

- Read all WARNINGS and CAUTIONS before performing any procedure.
- The equipment conditions found in the maintenance procedures are of a general nature and the mechanic may be able to perform only certain steps within a procedure to accomplish the equipment condition.

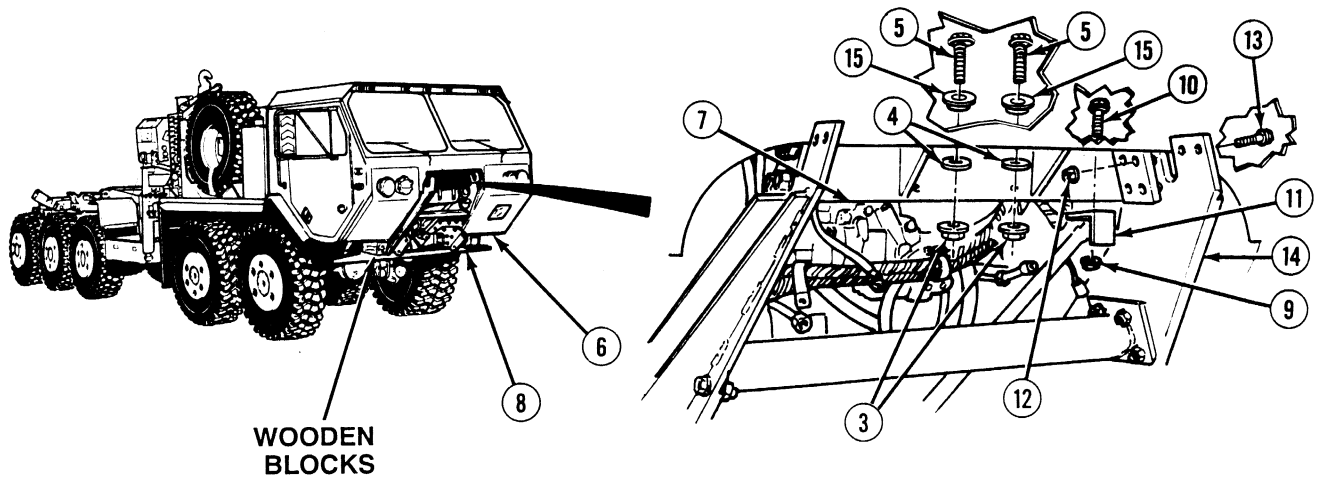
CHAPTER 13

FRAME MAINTENANCE

Para	Contents	Page
13-1	Direct Support Frame Maintenance Introduction	13-1
13-2	Front Cab Support Replacement	13-2
13-3	Front Tow Eye And Cross Brace Replacement	13-6
13-4	Rear Cab Support Replacement	13-10
13-5	Front Crossmember Replacement	13-12
13-6	Front Tandem Crossmember/Gusset Replacement	13-15
13-7	Intermediate Crossmember No. 1 Replacement	13-26
13-8	Intermediate Crossmember No. 2 Replacement	13-31
13-9	Intermediate Crossmember No. 3 Replacement	13-34
13-10	Rear Tandem Crossmember/Gusset Replacement	13-35
13-11	Rear Crossmember Replacement	13-47
13-12	Left Side Power Module Frame Replacement	13-52
13-13	Right Side Power Module Frame Replacement	13-67

13-1. DIRECT SUPPORT FRAME MAINTENANCE INTRODUCTION.

This chapter contains maintenance instructions for replacing frame components as authorized by the Maintenance Allocation Chart (MAC) at the Direct Support Maintenance level.

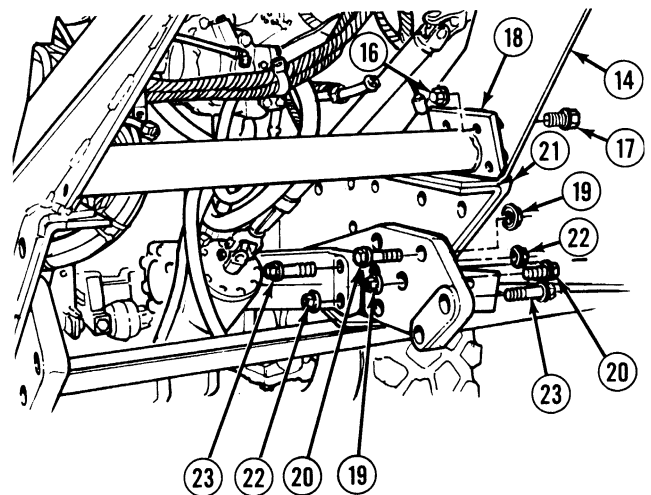


- (2) Remove two locknuts (3) and washers (4) from screws (5). Discard locknuts.
- (3) Remove two screws (5) from inside of cab (6) and cab mounting bracket (7).

WARNING

Cab weighs 1,700 lbs (772 kg). Attach suitable lifting device prior to removal of cab support to prevent possible injury to personnel.

- (4) Using lifting device, support front of cab (6) and install wooden blocks between bottom of cab (6) and skid plate crossmember (8).
- (5) Remove two locknuts (9), screws (10) and bracket (11) from cab mounting bracket (7). Discard locknuts.
- (6) With the aid of an assistant, remove eight locknuts (12), screws (13) and cab mounting bracket (7) from right and left side brackets (14). Discard locknuts.
- (7) Remove two mounts (15) from cab mounting bracket (7).
- (8) With the aid of an assistant, remove eight locknuts (16), screws (17) and crosstube (18) from left and right side brackets (14). Discard locknuts.
- (9) With the aid of an assistant, remove ten locknuts (19) and screws (20) from right and left side bracket (14) and frame (21). Discard locknuts.



13-2. FRONT CAB SUPPORT REPLACEMENT (CONT).

NOTE

Cab may need to be shifted from side to side to remove bottom screws from side brackets.

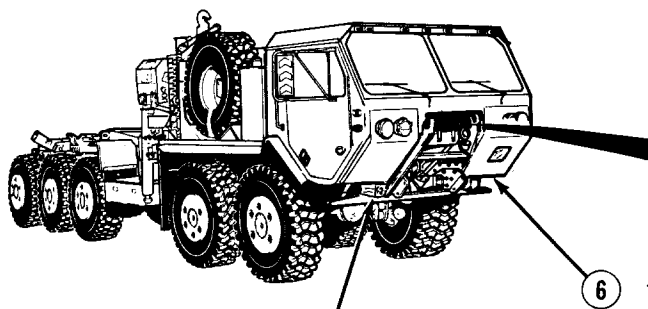
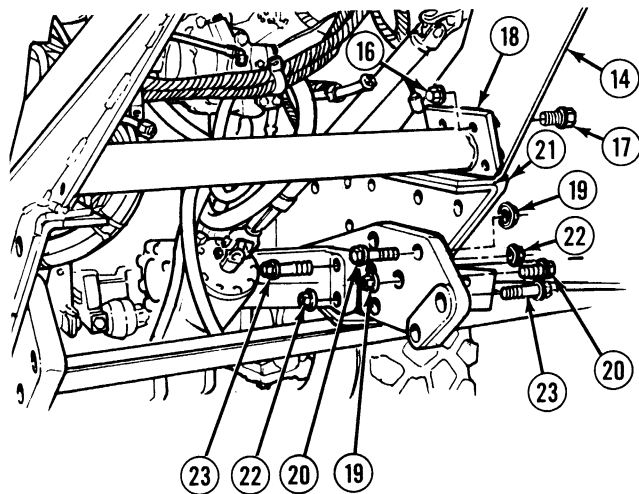
- (10) With the aid of an assistant, remove four locknuts (22), screws (23) and right and left side brackets (14) from frame (21). Discard locknuts.

b. Installation.

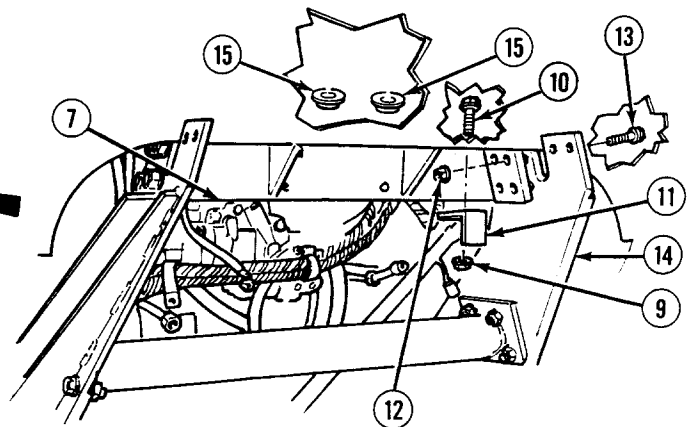
NOTE

Cab may need to be shifted from side to side to install bottom screws from side brackets.

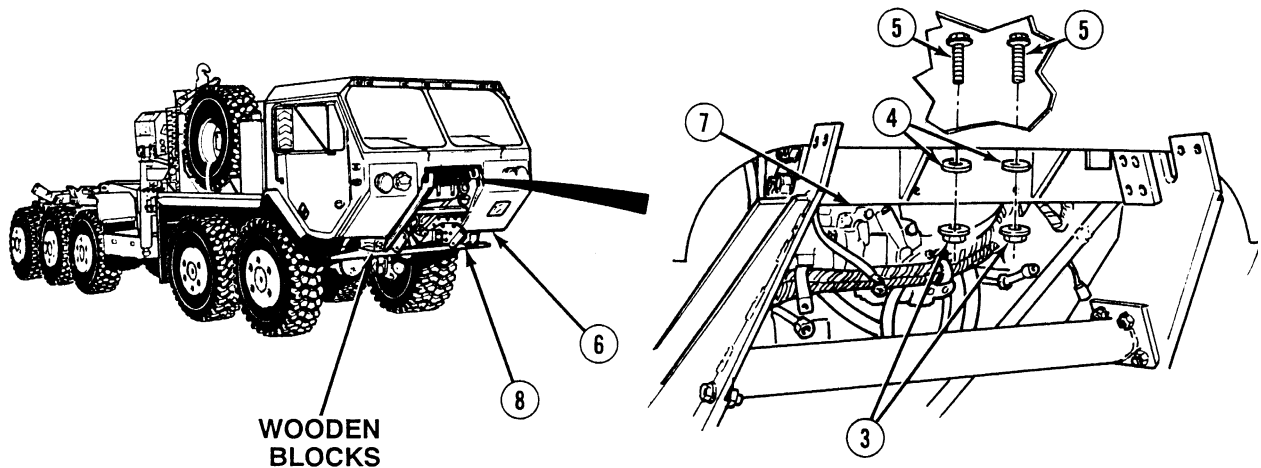
- (1) With the aid of an assistant, position right and left side brackets (14) on frame (21) with four screws (23) and locknuts (22).
- (2) With the aid of an assistant, install ten screws (20) in right and left side brackets (14) and frame (21) with ten locknuts (19).
- (3) Tighten four locknuts (22) on screws (23).
- (4) With the aid of an assistant, install crosstube (18) between right and left side brackets (14) with eight screws (17) and locknuts (16).



**WOODEN
BLOCKS**



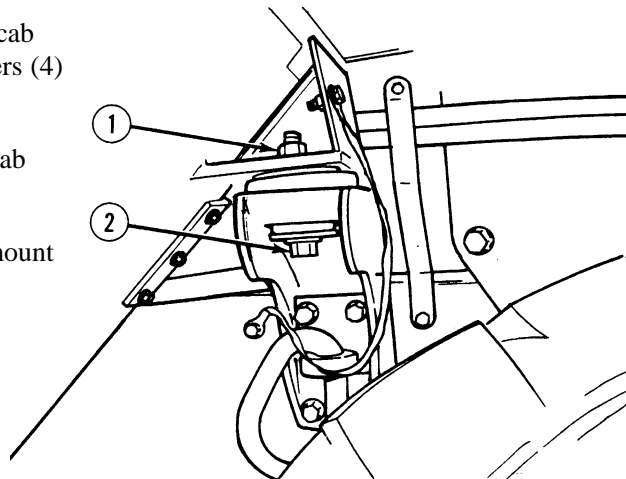
- (5) Apply soap solution to two mounts (15) and install on cab mounting bracket (7).
- (6) Install bracket (11) on cab mounting bracket (7) with two screws (10) and locknuts (9).
- (7) With the aid of an assistant, install cab mounting bracket (7) between right and left side brackets (14) with eight screws (13) and locknuts (12).



WARNING

Cab weighs 1,700 lbs (772 kg). Attach suitable lifting device prior to installation of cab support to prevent possible injury to personnel.

- (8) Remove wooden blocks from between bottom of cab (6) and skid plate crossmember (8).
- (9) Lower cab (6) on cab mounting bracket (7).
- (10) Install two screws (5) in cab (6) and cab mounting bracket (7) with two washers (4) and locknuts (3).
- (11) Remove two locknuts (1) from rear cab mount screws (2). Discard locknuts.
- (12) Install two locknuts (1) on rear cab mount screws (2).



c. Follow-On Maintenance:

- Install Air Reservoir No. 1, (TM 9-2320-364-20).
- Install front blackout light, (TM 9-2320-364-20).
- Install electric horn, (TM 9-2320-364-20).
- Install skid plate structure, (TM 9-2320-364-20).
- Install machine gun mount, if equipped, (TM 9-2320-364-20).
- Connect batteries, (TM 9-2320-364-20).
- Remove wheel chocks, (TM 9-2320-364-10).

END OF TASK

13-3. FRONT TOW EYE AND CROSS BRACE REPLACEMENT.

This task covers:

- a. Removal
- b. Installation
- c. Follow-On Maintenance

INITIAL SETUP

Tools and Special Tools

- Tool Kit, General Mechanic's
(Item 240, Appendix F)
- Wrench, Combination 1 1/8 in.
(Item 255, Appendix F)
- Wrench Set, Socket 3/4 in. Drive
(Item 274, Appendix F)

Materials/Parts

- Tags, Identification (Item 72, Appendix B)
- Locknut (18) (Item 167, Appendix E)

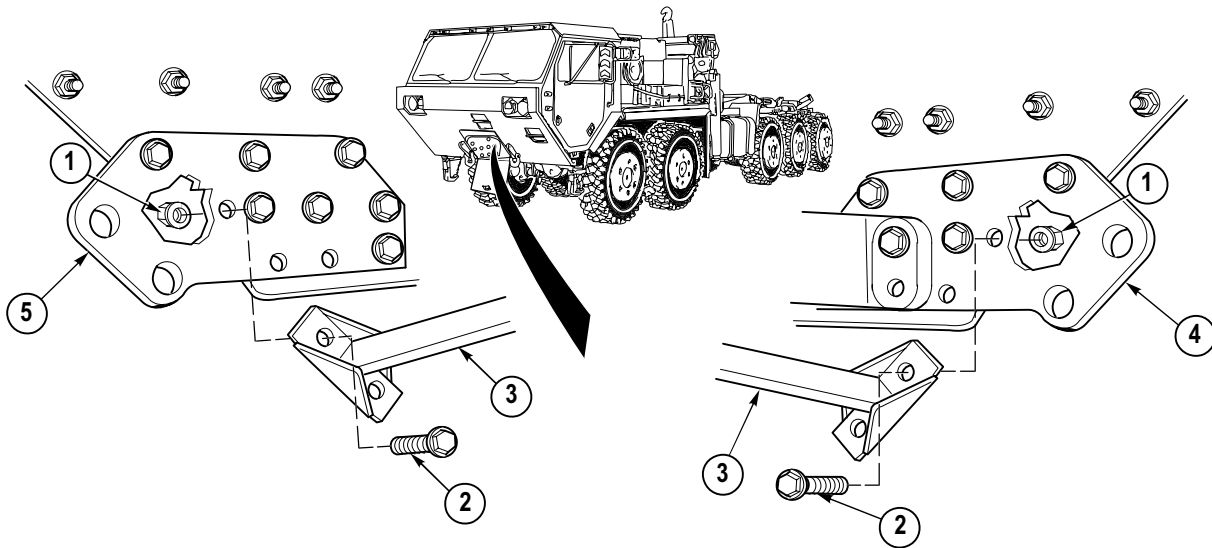
Personnel Required

Two

Equipment Condition

- Wheels chocked, (TM 9-2320-364-10)
- Front self recovery winch guide removed,
(if equipped), (TM 9-2320-364-20)
- Skid plate crossmember removed,
(TM 9-2320-364-20)

a. Removal.



NOTE

Tag and mark all screws prior to removal.

- (1) Remove two locknuts (1), screws (2) and cross brace (3) from left tow eye (4) and right tow eye (5). Discard locknuts.