

TECHNICAL MANUAL

UNIT MAINTENANCE MANUAL

FOR
CARRIER, PERSONNEL, FULL TRACKED, ARMORED M113A3
2350-01-219-7577 (EIC AEY)

CARRIER, COMMAND POST, LIGHT TRACKED M577A3
2350-01-369-6085 (EIC AE7)

CARRIER, ANTI-TANK (TOW), FULL TRACKED, ARMORED M901A3
2350-01-369-7253 (EIC AFD)

CARRIER, FIRE SUPPORT PERSONNEL, FULL TRACKED, ARMORED
M981A3
2350-01-369-6079 (EIC AFB)

CARRIER, SMOKE GENERATOR, FULL TRACKED M1059A3
2350-01-369-6083 (EIC AFA)

CARRIER, MORTAR, 120-MM M121, SELF-PROPELLED M1064A3
2350-01-369-6082 (EIC AE8)

CARRIER, STANDARDIZED INTEGRATED COMMAND POST SYSTEM
(SICPS) M1068A3
2350-01-369-6086 (EIC AFC)

CARRIER, MECHANIZED SMOKE OBSCURANT M58
2350-01-418-6654 (EIC 5CG)

SUPERSEDURE NOTICE — This manual supersedes TM 9-2350-277-20 dated 24 July 1994, including all changes.

DISTRIBUTION STATEMENT A — Approved for public release; distribution is unlimited.

HEADQUARTERS, DEPARTMENT OF THE ARMY

2 January 2001

HEADQUARTERS
DEPARTMENT OF THE ARMY
WASHINGTON, D.C., 02 January 2001

TECHNICAL MANUAL**UNIT MAINTENANCE MANUAL**

CARRIER, PERSONNEL, FULL TRACKED, ARMORED M113A3
NSN 2350-01-219-7577
(EIC AEY)

CARRIER, COMMAND POST, LIGHT TRACKED M577A3
NSN 2350-01-369-6085
(EIC AE7)

CARRIER, ANTI-TANK (TOW), FULL TRACKED, ARMORED M901A3
NSN 2350-01-369-7253
(EIC AFD)

CARRIER, FIRE SUPPORT PERSONNEL, FULL TRACKED, ARMORED M981A3
NSN 2350-01-369-6079
(EIC AFB)

CARRIER, SMOKE GENERATOR, FULL TRACKED M1059A3
NSN 2350-01-369-6083
(EIC AFA)

CARRIER, MORTAR, 120-MM M121, SELF-PROPELLED M1064A3
NSN 2350-01-369-6082
(EIC AE8)

CARRIER, STANDARDIZED INTEGRATED COMMAND POST SYSTEM (SICPS) M1068A3
NSN 2350-01-369-6086
(EIC AFC)

CARRIER, MECHANIZED SMOKE OBSCURANT M58
NSN 2350-01-418-6654
(EIC 5CG)

REPORTING ERRORS AND RECOMMENDING IMPROVEMENTS

You can help improve this publication. If you find any mistakes or if you know of a way to improve the procedures, please let us know. Submit your DA Form 2028-2 (Recommended Changes to Equipment Technical Publications), through the Internet, on the Army Electronic Product Support (AEPS) website. The internet address is <http://aeeps.ria.army.mil>. If you need a password, scroll down and click on "ACCESS REQUEST FORM". The DA 2028 is located in the ONLINE FORMS PROCESSING section of the AEPS. Fill out the form and click on SUBMIT. Using this form on the AEPS will enable us to respond quicker to your comments and better manage the DA Form 2028 program. You may also mail, fax, or E-mail your letter, DA Form 2028 or DA Form 2028-2 direct to: Technical Publication Information Office, TACOM-RI, 1 Rock Island Arsenal, Rock Island, IL 61299-7630. The email address is TACOM-TECH-PUBS@ria.army.mil. The fax number is DSN 793-0726 or Commercial (309)782-0726.

SUPERSEDURE NOTICE — This manual supersedes TM 9-2350-277-20 dated 24 July 1994, including all changes.

DISTRIBUTION STATEMENT A — Approved for public release; distribution is unlimited.

TABLE OF CONTENTS

WP Sequence No.

Volume 1

WARNING SUMMARY

HOW TO USE THIS MANUAL

CHAPTER 1 — UNIT INTRODUCTORY INFORMATION WITH THEORY OF OPERATION

GENERAL INFORMATION.....0001 00
 EQUIPMENT DESCRIPTION.....0002 00
 THEORY OF OPERATION.....0003 00
 REPAIR PARTS, SPECIAL TOOLS, TMDE, AND SUPPORT EQUIPMENT.....0004 00

CHAPTER 2 — UNIT TROUBLESHOOTING PROCEDURES

INTRODUCTION TO HOW TO USE TROUBLESHOOTING.....0005 00
 MALFUNCTION/SYMPATOM INDEX WP.....0006 00
 ENGINE CHARGING SYSTEM SCHEMATIC (ALL EXCEPT M981A3 ONLY).....0007 00
 ENGINE CHARGING SYSTEM SCHEMATIC (M981A3 ONLY).....0008 00
 ENGINE FUEL SYSTEM SCHEMATIC (ALL EXCEPT M577A3 AND M1068A3).....0009 00
 ENGINE FUEL SYSTEM SCHEMATIC (M577A3 AND M1068A3 ONLY).....0010 00
 ENGINE STARTER CIRCUIT SCHEMATIC (ALL EXCEPT M981A3).....0011 00
 ENGINE STARTER CIRCUIT SCHEMATIC (M981A3 ONLY).....0012 00
 ENGINE AIR BOX HEATER SCHEMATIC.....0013 00
 ENGINE OVERHEATS.....0014 00
 ENGINE OVERCOOLS.....0015 00
 ENGINE DOES NOT CRANK.....0016 00
 ENGINE DOES NOT START (COLD WEATHER ONLY).....0017 00
 WAIT INDICATOR FLASHES DURING START ATTEMPTS (PREGLOW OR
 AFTERGLOW).....0018 00
 WAIT INDICATOR LIGHT DOESN'T LIGHT.....0019 00
 ENGINE CRANKS SLOWLY.....0020 00
 ENGINE CRANKS BUT WILL NOT START.....0021 00
 ENGINE CRANKS BUT WON'T START BELOW 40° (AIR BOX HEATER IS USED).....0022 00
 ENGINE CRANKS BUT WON'T START BELOW 40°F (GLOW PLUGS ARE USED).....0023 00
 ENGINE RUNS ROUGH, STALLS, OR DOESN'T PUT OUT FULL POWER.....0024 00
 GENERATOR MALFUNCTIONS AS INDICATED BY BATTERY/GENERATOR
 INDICATOR.....0025 00
 ENGINE OIL LOW PRESSURE INDICATOR COMES ON.....0026 00

TABLE OF CONTENTS (cont)

	<u>WP Sequence No.</u>
ELECTRICAL SCHEMATIC (ALL EXCEPT M981A3).....	0027 00
ELECTRICAL SCHEMATIC (M981A3 ONLY).....	0028 00
NO EXTERIOR LIGHTS OPERATE.....	0029 00
BLACKOUT DRIVE LIGHT DOESN'T WORK.....	0030 00
SERVICE HEADLIGHTS DON'T WORK.....	0031 00
INFRARED HEADLIGHT(S) DON'T WORK.....	0032 00
SERVICE AND/OR BLACK OUT STOP LIGHTS MALFUNCTION.....	0033 00
BLACKOUT MARKER LIGHT(S) DON'T WORK.....	0034 00
SERVICE TAILLIGHT DOESN'T WORK.....	0035 00
TRAILER LIGHTS DON'T WORK.....	0036 00
HORN DOES NOT WORK.....	0037 00
INSTRUMENT PANEL AND/OR TRANS CONTROLLER ILLUMINATION LIGHTS MALFUNCTION.....	0038 00
DOME LIGHT(S) DO NOT WORK.....	0039 00
DOME LIGHT MALFUNCTION (M577A3 ONLY).....	0040 00
BLACKOUT DOME LIGHTS DO NOT WORK (M1068A3 ONLY).....	0041 00
RIGHT REAR UTILITY OUTLET/ADMITTANCE BUZZER WORKS IMPROPERLY (M577A3 AND M1068A3 ONLY).....	0042 00
LEFT REAR UTILITY OUTLET/BLOWER DOES NOT WORK (M577A3 AND M1068A3 ONLY).....	0043 00
RADIO(S) DON'T WORK.....	0044 00
SMOKE GRENADE LAUNCHER(S) MALFUNCTION (M113A3, M901A3, M981A3, AND M1059A3 ONLY).....	0045 00
INDICATORS SCHEMATIC (ALL EXCEPT M981A3).....	0046 00
INDICATORS SCHEMATIC (M981A3 ONLY).....	0047 00
MASTER SWITCH ON INDICATOR DOESN'T LIGHT.....	0048 00
FUEL LEVEL INDICATOR MALFUNCTIONS.....	0049 00
HIGH BEAM INDICATOR LIGHT DOESN'T WORK.....	0050 00
BATTERY/GENERATOR INDICATOR MALFUNCTIONS.....	0051 00
PARKING BRAKE INDICATOR MALFUNCTIONS.....	0052 00
COOLANT TEMP INDICATOR MALFUNCTIONS.....	0053 00
STEERING LOCKED INDICATOR MALFUNCTIONS.....	0054 00
ENGINE OIL LOW PRESSURE INDICATOR MALFUNCTIONS.....	0055 00
TRANSMISSION OIL LOW PRESSURE INDICATOR MALFUNCTIONS.....	0056 00
TRANS OIL HI TEMP INDICATOR MALFUNCTIONS.....	0057 00
ENGINE COOLANT LOW LEVEL INDICATOR MALFUNCTIONS.....	0058 00
TRANS FILTER CLOGGED INDICATOR MALFUNCTIONS.....	0059 00
TRANSMISSION SYSTEM SCHEMATIC.....	0060 00
CARRIER MOVES WITH TRANSMISSION IN SL.....	0061 00
CARRIER DOES NOT MOVE IN ANY SHIFT LEVER POSITION.....	0062 00
CARRIER DRIFTS OR DOES NOT STEER.....	0063 00
SERVICE AND/OR PARKING BRAKE WON'T HOLD CARRIER.....	0064 00

TABLE OF CONTENTS (cont)

	<u>WP Sequence No.</u>
TRANSMISSION WON'T UPSHIFT OR SHIFTS ERRATICALLY IN 1-4 POSITION.....	0065 00
TRANSMISSION DOES NOT DOWNSHIFT IN 1-4 POSITION.....	0066 00
TRANSMISSION DOES NOT HOLD 1ST POSITION.....	0067 00
TRANSMISSION DOES NOT HOLD 2ND POSITION.....	0068 00
TRANSMISSION DOES NOT HOLD 3RD POSITION.....	0069 00
TRANSMISSION DOES NOT REVERSE.....	0070 00
TRANSMISSION DOES NOT PIVOT STEER.....	0071 00
TRANSMISSION HIGH TEMP INDICATOR COMES ON.....	0072 00
TRANSMISSION LOW LUBE INDICATOR COMES ON.....	0073 00
STEERING LOCK SCHEMATIC (SOLENOID-ACTIVATED LOCK).....	0074 00
STEERING LOCK SCHEMATIC (CABLE-ACTIVATED LOCK).....	0075 00
SOLENOID-ACTIVATED STEERING LOCK MALFUNCTIONS.....	0076 00
CABLE-ACTIVATED STEERING LOCK MALFUNCTIONS.....	0077 00
BILGE PUMP SCHEMATIC (ALL EXCEPT M981A3).....	0078 00
BILGE PUMP SCHEMATIC (M981A3 ONLY).....	0079 00
FRONT AND/OR REAR BILGE PUMP(S) AND/OR LIGHTS DON'T WORK.....	0080 00
RAMP SCHEMATIC.....	0081 00
RAMP WILL NOT LOWER.....	0082 00
RAMP OPERATION IS SLOW OR SLUGGISH.....	0083 00
RAMP WILL NOT RAISE OR FREE FALLS.....	0084 00
PERSONNEL HEATER SCHEMATIC.....	0085 00
PERSONNEL HEATER MALFUNCTIONS.....	0086 00
COOLANT HEATER SCHEMATIC (ALL EXCEPT M981A3).....	0087 00
COOLANT HEATER SCHEMATIC (M981A3 ONLY).....	0088 00
COOLANT HEATER MALFUNCTIONS.....	0089 00
POWER CONTROL ENCLOSURE A1 DC INPUT/OUTPUT INOPERATIVE (M1068A3 ONLY).....	0090 00
NO AC POWER FROM TENT INTERFACE PANEL A5 (M1068A3 ONLY).....	0091 00
NO DC POWER FROM TENT INTERFACE PANEL A5 (M1068A3 ONLY).....	0092 00
NO POWER FROM ROADSIDE AC POWER EXTENSION BOX A6 (M1068A3 ONLY).....	0093 00
NO POWER FROM CURBSIDE AC POWER EXTENSION BOX A7 (M1068A3 ONLY).....	0094 00
NO POWER FROM DC POWER EXTENSION BOX A9 (ALL EXCEPT JACK J23) (M1068A3 ONLY).....	0095 00
NO POWER FROM DC POWER EXTENSION BOX A9, JACK J23 (JTIDS) (M1068A3 ONLY).....	0096 00
NO DC POWER TO SINGLE POINT LAN GROUND BOX A15 (M1068A3 ONLY).....	0097 00
NO POWER FROM UPS POWER EXTENSION BOX A18 (M1068A3 ONLY).....	0098 00
NO POWER FROM CURBSIDE UPS POWER EXTENSION BOX A19 (M1068A3 ONLY).....	0099 00
NO AC/DC INPUT TO ATCCS UPS POWER BOX (M1068A3 ONLY).....	0100 00

TABLE OF CONTENTS (cont)

WP Sequence No.

IN BLACKOUT MODE, FLUORESCENT LIGHTS OPERATE INCORRECTLY
 (M1068A3 ONLY).....0101 00

FLUORESCENT LIGHTS DO NOT OPERATE (M1068A3 ONLY).....0102 00

VEHICLE BATTERIES DISCHARGE WITH EXTERNAL AC POWER APPLIED
 (M1068A3 ONLY).....0103 00

VEHICLE WILL NOT ACCEPT EXTERNAL AC POWER (M1068A3 ONLY).....0104 00

VEHICLE WILL NOT ACCEPT INVERTER AC POWER (M1068A3 ONLY).....0105 00

NO POWER TO DC CIRCUITS (M1068A3 ONLY).....0106 00

NO POWER TO AC CIRCUITS (M1068A3 ONLY).....0107 00

NO DC OUTPUT FROM DC POWER SUPPLY (M1068A3 ONLY).....0108 00

NO AC POWER FROM INVERTERS (M1068A3 ONLY).....0109 00

NO DATA OUTPUT FROM DATA PANEL A12 (M1068A3 ONLY).....0110 00

NO LAN OUTPUT FROM DATA PANEL A12 (M1068A3 ONLY).....0111 00

NO DATA OUTPUT FROM DATA PANEL A13 (M1068A3 ONLY).....0112 00

NO LAN OUTPUT FROM DATA PANEL A13 (M1068A3 ONLY).....0113 00

PHONE EXTENSION BOX A14 POST(S) INOPERATIVE (M1068A3 ONLY).....0114 00

SPEEDOMETER MALFUNCTIONS.....0115 00

TACHOMETER MALFUNCTIONS.....0116 00

■ DRIVER'S VISION ENHANCER (DVE) DISPLAY DOES NOT WORK (M58 ONLY).....0116 01

■ COMMANDER'S VISION ENHANCER (DVE) DISPLAY DOES NOT WORK (M58
 ONLY).....0116 02

HOOK UP/REMOVE STE/ICE TEST SET TO DCA 6.....0117 00

STE/ICE TEST 10 ENGINE RPM.....0118 00

STE/ICE TEST 24 FUEL SUPPLY PRESSURE.....0119 00

STE/ICE TEST 25 FUEL RETURN PRESSURE.....0120 00

STE/ICE TEST 26 FUEL FILTER PRESSURE DROP.....0121 00

STE/ICE TEST 30 TURBOCHARGER OUTLET PRESSURE.....0122 00

STE/ICE TEST 32 AIR BOX PRESSURE.....0123 00

STE/ICE TEST 67 BATTERY VOLTAGE.....0124 00

STE/ICE TEST 68 STARTER MOTOR VOLTAGE.....0125 00

STE/ICE TEST 69 STARTER NEGATIVE CABLE VOLTAGE DROP.....0126 00

STE/ICE TEST 70 STARTER SOLENOID VOLTAGE.....0127 00

STE/ICE TEST 71 STARTER CURRENT (AVERAGE).....0128 00

STE/ICE TEST 72 STARTER CURRENT (FIRST PEAK).....0129 00

STE/ICE TEST 73 BATTERY RESISTANCE AND STE/ICE TEST 75 BATTERY
 RESISTANCE CHANGE (PACK).....0130 00

STE/ICE TEST 74 STARTER CIRCUIT RESISTANCE.....0131 00

STE/ICE TEST 80 BATTERY CURRENT.....0132 00

STE/ICE TEST 82 GENERATOR OUTPUT VOLTAGE.....0133 00

STE/ICE TEST 83 GENERATOR FIELD VOLTAGE.....0134 00

STE/ICE TEST 84 GENERATOR NEGATIVE CABLE VOLTAGE DROP.....0135 00

STE/ICE SCHEMATIC (ALL EXCEPT M981A3).....0136 00

TABLE OF CONTENTS (cont)

	<u>WP Sequence No.</u>
STE/ICE SCHEMATIC (M981A3 ONLY).....	0137 00
STE/ICE BLANK DISPLAY DIAGNOSTIC TROUBLESHOOTING.....	0138 00
STE/ICE CONFIDENCE TEST DIAGNOSTIC TROUBLESHOOTING.....	0139 00
STE/ICE TEST 10, 11, 12 AND 13 DIAGNOSTIC TROUBLESHOOTING.....	0140 00
DCA BATTERY VOLTAGE DIAGNOSTIC TROUBLESHOOTING.....	0141 00
DCA CURRENT SHUNT DIAGNOSTIC TROUBLESHOOTING.....	0142 00
STE/ICE TEST 24 FUEL SUPPLY PRESSURE DIAGNOSTIC TROUBLESHOOTING.....	0143 00
STE/ICE TEST 25 FUEL RETURN PRESSURE DIAGNOSTIC TROUBLESHOOTING.....	0144 00
STE/ICE TEST 26 FUEL FILTER PRESSURE DROP DIAGNOSTIC TROUBLESHOOTING.....	0145 00
STE/ICE TEST 30 TURBOCHARGER OUTLET PRESSURE DIAGNOSTIC TROUBLESHOOTING.....	0146 00
STE/ICE TEST 32 AIR BOX PRESSURE DIAGNOSTIC TROUBLESHOOTING.....	0147 00
STE/ICE TEST 68 STARTER MOTOR VOLTAGE DIAGNOSTIC TROUBLESHOOTING.....	0148 00
STE/ICE TEST 69 STARTER NEGATIVE CABLE VOLTAGE DROP DIAGNOSTIC TROUBLESHOOTING.....	0149 00
STE/ICE TEST 70 STARTER SOLENOID VOLTAGE DIAGNOSTIC TROUBLESHOOTING.....	0150 00
STE/ICE TEST 82 GENERATOR OUTPUT VOLTAGE DIAGNOSTIC TROUBLESHOOTING.....	0151 00
STE/ICE TEST 83 GENERATOR FIELD VOLTAGE DIAGNOSTIC TROUBLESHOOTING.....	0152 00
STE/ICE TEST 84 GENERATOR NEGATIVE CABLE VOLTAGE DROP DIAGNOSTIC TROUBLESHOOTING.....	0153 00

Volume 2

CHAPTER 3 — UNIT MAINTENANCE INSTRUCTIONS FOR CARRIER

SERVICE UPON RECEIPT.....	0154 00
PREVENTIVE MAINTENANCE CHECKS AND SERVICES (PMCS), INCLUDING LUBRICATION INSTRUCTIONS.....	0155 00

CHAPTER 4 — UNIT MAINTENANCE INSTRUCTIONS FOR ENGINE

REMOVE/INSTALL POWER PLANT ASSEMBLY.....	0156 00
BLOCK POWER PLANT.....	0157 00
REPLACE ENGINE MOUNTS	0158 00
REPLACE LEFT AIR BOX DRAIN CHECK VALVE AND TUBES.....	0159 00
REPLACE RIGHT AIR BOX DRAIN CHECK VALVE AND TUBES.....	0160 00
REPLACE ENGINE LIFTING BRACKET.....	0161 00
REPLACE ENGINE OIL FILLER CAP.....	0162 00
REPLACE ENGINE OIL SAMPLING VALVE AND HOSE.....	0163 00
REPLACE OIL GAUGE ROD AND TUBE.....	0164 00

TABLE OF CONTENTS (cont)

WP Sequence No.

REPLACE OIL FILTER ELEMENT.....	0165 00
 CHAPTER 5 — UNIT MAINTENANCE INSTRUCTIONS FOR FUEL SYSTEM	
REPLACE ENGINE FUEL PUMP.....	0166 00
SERVICE AIR CLEANER FILTER ELEMENT.....	0167 00
REPLACE AIR CLEANER AND ELBOW.....	0168 00
REPAIR AIR CLEANER ASSEMBLY.....	0169 00
REPAIR AIR CLEANER RETAINER.....	0170 00
REPLACE AIR CLEANER RESTRICTION INDICATOR.....	0171 00
REPLACE AIR CLEANER RESTRICTION INDICATOR HOSE.....	0172 00
REMOVE/INSTALL AIR INTAKE ELBOW.....	0173 00
REPLACE GRILL AIR INTAKE ELBOW AND HOSE.....	0174 00
REPLACE EXHAUST EVACUATOR VALVE AND CONNECTOR.....	0175 00
CLEAN FUEL CAP VENT AND FILTER SCREEN.....	0176 00
DRAIN TANKS (ALL EXCEPT M577A3 AND M1068A3).....	0177 00
DRAIN FUEL TANKS (M577A3 AND M1068A3 ONLY).....	0178 00
REPLACE EXTERNAL FUEL TANKS (ALL EXCEPT M577A3 AND M1068A3).....	0179 00
REPLACE FUEL TANKS (M577A3 AND M1068A3 ONLY).....	0180 00
TEMPORARY FUEL TANK REPAIR (M577A3 AND M1068A3 ONLY).....	0181 00
REPLACE FUEL TANK FILLER COVER AND LOCK (ALL EXCEPT M577A3 AND M1068A3).....	0182 00
REPLACE FUEL TANK FILLER COVER AND LOCK (M577A3 AND M1068A3 ONLY).....	0183 00
REPLACE FILLER CAP AND STRAINER PARTS (ALL EXCEPT M577A3 AND M1068A3).....	0184 00
REPLACE FILLER CAP AND STRAINER PARTS (M577A3 AND M1068A3 ONLY).....	0185 00
REPLACE FUEL FILLER AND STRAINER PARTS (M577A3 AND M1068A3 ONLY).....	0186 00
REPLACE FUEL TANK ACCESS COVERS AND DRAIN PLUGS (ALL EXCEPT M577A3 AND M1068A3).....	0187 00
REPLACE FUEL TANK ACCESS COVERS (M577A3 AND M1068A3 ONLY).....	0188 00
REPLACE FUEL TANK FILLER FLANGE (M577A3 AND M1068A3 ONLY).....	0189 00
REPLACE FUEL QUANTITY TRANSMITTER (ALL EXCEPT M577A3 AND M1068A3).....	0190 00
REPLACE FUEL QUANTITY TRANSMITTER (M577A3 AND M1068A3 ONLY).....	0191 00
REPLACE FUEL SUPPLY HOSES, TUBES, AND FITTINGS (M113A3, M901A3, M981A3, M1059A3, AND M58 ONLY).....	0192 00
REPLACE FUEL SUPPLY HOSES, TUBES AND FITTINGS (M577A3 AND M1068A3 ONLY).....	0193 00
REPLACE FUEL SUPPLY HOSES, TUBES, AND FITTINGS (M1064A3 ONLY).....	0194 00
REPLACE FUEL RETURN HOSES, TUBES, AND FITTINGS (M113A3, M901A3, M981A3, M1059A3, AND M58 ONLY).....	0195 00
REPLACE FUEL RETURN HOSES, TUBES, AND FITTINGS (M577A3 AND M1068A3 ONLY).....	0196 00

TABLE OF CONTENTS (cont)

	<u>WP Sequence No.</u>
REPLACE FUEL RETURN HOSES, TUBES, AND FITTINGS (M1064A3 ONLY).....	0197 00
REPLACE FUEL VENT HOSES, TUBES, AND FITTINGS (M577A3 AND M1068A3 ONLY).....	0198 00
REPLACE FUEL VALVE MOUNTING BLOCKS (ALL EXCEPT M577A3 AND M1068A3).....	0199 00
REPLACE ENGINE FUEL SUPPLY HOSE.....	0200 00
REPLACE ENGINE FUEL RETURN HOSE.....	0201 00
REPLACE PRIMARY AND SECONDARY FUEL FILTER ELEMENTS.....	0202 00
REPLACE PRIMARY AND SECONDARY FUEL FILTERS AND BRACKET.....	0203 00
REPLACE AIR BOX HEATER IGNITION WIRE.....	0204 00
REPLACE AIR BOX HEATER WIRING HARNESS.....	0205 00
REPLACE AIR BOX HEATER LOWER FUEL LINE.....	0206 00
REPLACE AIR HEATER IGNITER.....	0207 00
REPLACE AIR BOX IGNITION COIL.....	0208 00
REPLACE GLOW PLUG HARNESS AND GLOW PLUGS.....	0209 00
REPLACE GLOW PLUG CONTROLLER.....	0210 00
REPLACE GLOW PLUG POWER HARNESS.....	0211 00
REPLACE GLOW PLUG CONTROLLER MOUNTING BRACKET.....	0212 00
ADJUST THROTTLE VALVE (TV) MODULATOR.....	0213 00
ADJUST ACCELERATOR LINKAGE.....	0214 00
REPLACE LOWER ACCELERATOR PEDAL.....	0215 00
REPLACE UPPER ACCELERATOR PEDAL ASSEMBLY.....	0216 00
REPLACE FUEL CONTROL SHAFT AND LINKAGE.....	0217 00
REPLACE THROTTLE VALVE (TV) MODULATOR AND LEVER.....	0218 00
REPLACE HAND THROTTLE CONTROL CABLE ASSEMBLY.....	0219 00
REPLACE FUEL CUTOFF CONTROL CABLE ASSEMBLY.....	0220 00
 CHAPTER 6 — UNIT MAINTENANCE INSTRUCTIONS FOR EXHAUST SYSTEM	
REPLACE ENGINE EXHAUST ELBOWS AND DOUBLE FLEX JOINT.....	0221 00
REPAIR DOUBLE FLEX EXHAUST JOINT.....	0222 00
REPLACE MUFFLER EXTENSION AND CAP.....	0223 00
REPLACE EXHAUST MUFFLER AND BRACKET.....	0224 00
REPLACE ENGINE LEFT/RIGHT EXHAUST ELBOWS.....	0225 00
REPLACE LEFT/RIGHT TURBO EXHAUST PIPE HEAT SHIELD.....	0226 00
 CHAPTER 7 — UNIT MAINTENANCE INSTRUCTIONS FOR COOLING SYSTEM	
DRAIN AND FILL COOLING SYSTEM.....	0227 00
CLEAN RADIATOR.....	0228 00
REPLACE RADIATOR AND PARTS.....	0229 00
REPLACE AUXILIARY TANK.....	0230 00
REPLACE THERMOSTATIC FAN SPEED SWITCH.....	0231 00
REPLACE UPPER COOLANT HOSE AND TUBE.....	0232 00

TABLE OF CONTENTS (cont)

	<u>WP Sequence No.</u>
REPLACE RADIATOR OUTLET TUBE AND HOSES.....	0233 00
REPLACE BALANCE HOSE.....	0234 00
REPLACE DRAIN COCK AND HOSE.....	0235 00
REPLACE COOLANT AIR SEPARATOR.....	0236 00
REPLACE THERMOSTAT/COVER.....	0237 00
REPLACE THERMOSTAT TUBE/HOSES.....	0238 00
ADJUST COOLANT PUMP BELTS.....	0239 00
REPLACE COOLANT PUMP IDLER PULLEY/BELTS.....	0240 00
REPLACE ENGINE COOLANT PUMP.....	0241 00
ADJUST VENTILATING FAN DRIVE BELT.....	0242 00
REPLACE VENTILATING FAN DRIVE BELT.....	0243 00
REPLACE VENTILATING FAN DRIVE PULLEY.....	0244 00
REPLACE FLAT PULLEYS AND BEARINGS.....	0245 00
REPLACE IDLER ARM AND SPRING TENSIONER.....	0246 00
REPLACE VENTILATING FAN ASSEMBLY.....	0247 00
REPLACE FAN DRIVE SHAFT AND BEARING HOUSING.....	0248 00
REPLACE FAN AND GENERATOR VARIABLE SPEED DRIVE.....	0249 00
REPLACE HOSES FROM THERMOSTAT TO VARIABLE SPEED DRIVE.....	0250 00
REPLACE TRANSMISSION OIL SUPPLY AND RETURN HOSES.....	0251 00

Volume 3

CHAPTER 8 — UNIT MAINTENANCE INSTRUCTIONS FOR ELECTRICAL SYSTEM

ADJUST GENERATOR DRIVE BELT.....	0252 00
REPLACE GENERATOR DRIVE BELT.....	0253 00
REPLACE GENERATOR TURNBUCKLE PARTS.....	0254 00
REPLACE GENERATOR/BRACKET.....	0255 00
ADJUST VOLTAGE REGULATOR.....	0256 00
REPLACE REGULATOR ASSEMBLY.....	0257 00
REPLACE STARTER RELAY SWITCH.....	0258 00
REPLACE STARTER.....	0259 00
REPLACE MASTER SWITCH PANEL ASSEMBLY (M113A3, M901A3, M1059A3, M1064A3, AND M58 ONLY).....	0260 00
REPLACE MASTER SWITCH PANEL ASSEMBLY (M577A3 AND M1068A3 ONLY).....	0261 00
REPLACE MASTER SWITCH (M113A3, M901A3, M1059A3, M1064A3, AND M58 ONLY).....	0262 00
REPLACE AUXILIARY POWER (SLAVE) RECEPTACLE (M113A3, M901A3, M1059A3, M1064A3, AND M58 ONLY).....	0263 00
REPLACE NATO AUXILIARY POWER (SLAVE) RECEPTACLE (M577A3 AND M1068A3 ONLY).....	0264 00
REPLACE UTILITY OUTLET RECEPTACLE (ALL EXCEPT M981A3).....	0265 00
REPLACE MASTER SWITCH TO DISTRIBUTION BOX LEAD (CIRCUIT 49) (M113A3, M901A3, M1059A3, M1064A3, AND M58 ONLY).....	0266 00

TABLE OF CONTENTS (cont)

WP Sequence No.

REPLACE MASTER SWITCH TO DISTRIBUTION BOX LEAD (CIRCUIT 49) (M577A3 AND M1068A3 ONLY).....	0267 00
REPLACE MASTER SWITCH TO AUXILIARY POWER RECEPTACLE LEAD (CIRCUIT 50) (M113A3, M901A3, M1059A3, M1064A3, AND M58).....	0268 00
REPLACE DISTRIBUTION BOX (M113A3, M901A3, M1059A3, M1064A3, AND M58 ONLY).....	0269 00
REPAIR DISTRIBUTION BOX (M113A3, M901A3, M1059A3, M1064A3, AND M58 ONLY).....	0270 00
REPLACE DISTRIBUTION BOX ASSEMBLY (M577A3 AND M1068A3 ONLY).....	0271 00
REPLACE DISTRIBUTION BOX ASSEMBLY (M901A3 ONLY).....	0272 00
REPLACE/REPAIR DISTRIBUTION BOX (M981A3 ONLY).....	0273 00
REPLACE DISTRIBUTION BOX CATCH AND STRIKE (M981A3 ONLY).....	0274 00
REPLACE BILGE PUMP CIRCUIT BREAKERS (ALL EXCEPT M981A3).....	0275 00
REPLACE REAR UTILITY RECEPTACLE CIRCUIT BREAKERS (M577A3 AND M1068A3 ONLY).....	0276 00
REPLACE FUEL SELECTOR SWITCH (M577A3 AND M1068A3 ONLY).....	0277 00
REPLACE BLOWER SWITCH (M577A3 AND M1068A3 ONLY).....	0278 00
REPLACE INSTRUMENT PANEL ASSEMBLY (ALL EXCEPT M58).....	0279 00
REPLACE INSTRUMENT PANEL ASSEMBLY (M58 ONLY).....	0279 01
REPLACE CIRCUIT BREAKER.....	0280 00
REPLACE FUEL SELECT SWITCH TO GAUGE LEAD (ALL EXCEPT M577A3 AND M1068A3).....	0281 00
REPLACE INSTRUMENT PANEL ON-OFF SWITCHES.....	0282 00
REPLACE MAIN LIGHT SWITCH.....	0283 00
REPLACE ENGINE START SWITCH.....	0284 00
REPLACE INSTRUMENT PANEL GAUGES.....	0285 00
REPLACE PANEL LIGHTS AND INDICATOR LIGHTS.....	0286 00
REPLACE INSTRUMENT PANEL WARNING LIGHTS.....	0287 00
REPLACE INSTRUMENT WARNING LIGHT PANEL.....	0288 00
REPLACE INSTRUMENT PANEL BATTERY-GENERATOR GAUGE WIRING HARNES (ALL EXCEPT M981A3).....	0289 00
REPLACE INSTRUMENT PANEL SPECIAL PURPOSE CABLE.....	0290 00
■ REPLACE WARNING LIGHT PANEL ASSEMBLY (ALL EXCEPT M58).....	0291 00
■ REPLACE WARNING LIGHT PANEL (ALL EXCEPT M58).....	0292 00
■ REPLACE HORN SWITCH (ALL EXCEPT M58).....	0293 00
■ REPLACE HORN SWITCH (M58 ONLY).....	0293 01
■ REPLACE WARNING PANEL LIGHTS (ALL EXCEPT M58).....	0294 00
■ REPLACE WARNING PANEL LIGHTS (M58 ONLY).....	0294 01
■ REPLACE INSTRUMENT PANEL MOUNTS AND GROUND LEAD (ALL EXCEPT M58).....	0295 00
■ REPLACE INSTRUMENT PANEL MOUNTS AND GROUND LEAD (M58 ONLY).....	0295 01
REPLACE TELEPOSTS AND COVER.....	0296 00
REPLACE SOLID STATE INFRARED POWER SUPPLY.....	0297 00

TABLE OF CONTENTS (cont)

	<u>WP Sequence No.</u>
REPLACE STOP LIGHT-TAIL LIGHT AND GUARDS (ALL EXCEPT M577A3 AND M1068A3).....	0298 00
REPLACE LEFT STOP LIGHT-TAIL LIGHT (M577A3 AND M1068A3 ONLY).....	0299 00
REPAIR LEFT STOP LIGHT-TAIL LIGHT.....	0300 00
REPLACE RIGHT STOP LIGHT-TAIL LIGHT (M577A3 ONLY).....	0301 00
REPAIR RIGHT STOP LIGHT-TAIL LIGHT.....	0302 00
REPLACE SERVICE AND INFRARED HEADLIGHTS.....	0303 00
REPAIR SERVICE AND INFRARED HEADLIGHTS.....	0304 00
REPLACE BLACKOUT HEADLIGHT.....	0305 00
REPAIR BLACKOUT HEADLIGHT.....	0306 00
REPLACE BLACKOUT MARKER LIGHT.....	0307 00
REPAIR BLACKOUT MARKER LIGHT.....	0308 00
REPLACE DOME LIGHT (ALL EXCEPT M577A3 AND M1068A3).....	0309 00
REPAIR DOME LIGHT (ALL EXCEPT M577A3 AND M1068A3).....	0310 00
REPLACE DOME LIGHT (M577A3 AND M1068A3 ONLY).....	0311 00
REPAIR DOME LIGHT AND MOUNT (M577A3 AND M1068A3 ONLY).....	0312 00
REPLACE DOME LIGHT LENS (ALL EXCEPT M577A3 AND M1068A3).....	0313 00
REPLACE FRONT DOME LIGHT SWITCH (M577A3 AND M1068A3 ONLY).....	0314 00
REPLACE REAR DOME LIGHT SWITCH (M577A3 AND M1068A3 ONLY).....	0315 00
REPLACE DOME LIGHT CIRCUIT BREAKER (M577A3 AND M1068A3 ONLY).....	0316 00
REPLACE DOME BLACKOUT LIGHT BYPASS SWITCH (M577A3 AND M1068A3 ONLY).....	0317 00
REPLACE TENT LIGHT ASSEMBLY (M577A3 AND M1068A3 ONLY).....	0318 00
REPLACE UTILITY LIGHT (M981A3 ONLY).....	0319 00
REPLACE ENGINE OIL LOW PRESSURE TRANSMITTER AND HARDWARE.....	0320 00
REPLACE COOLANT TEMPERATURE TRANSMITTER.....	0321 00
REPLACE TRANSMISSION OIL HIGH TEMPERATURE SWITCH.....	0322 00
REPLACE GENERATOR FIELD PRESSURE SWITCH.....	0323 00
REPLACE FUEL SUPPLY PRESSURE TRANSDUCER.....	0324 00
REPLACE FUEL RETURN PRESSURE TRANSDUCER.....	0325 00
REPLACE TURBO OUTLET PRESSURE TRANSDUCER.....	0326 00
REPLACE AIR BOX PRESSURE TRANSDUCER.....	0327 00
REPLACE FUEL FILTER DIFFERENTIAL PRESSURE SWITCH.....	0328 00
REPLACE AUXILIARY TANK FLUID LEVEL DETECTOR.....	0329 00
REPLACE STEERING LOCK SWITCH.....	0330 00
REPLACE PARKING BRAKE SWITCH/BRACKET.....	0331 00
REPLACE STOP SWITCH.....	0332 00
REPLACE HEADLIGHT HIGH BEAM SELECTOR SWITCH.....	0333 00
REPLACE ADMITTANCE BUZZER AND SWITCH (M577A3 AND M1068A3 ONLY).....	0334 00
REPLACE RAMP DOOR SWITCH AND MOUNT (M577A3 AND M1068A3 ONLY).....	0335 00
REPLACE HORN AND GROUND LEAD.....	0336 00

TABLE OF CONTENTS (cont)

WP Sequence No.

DISCONNECT/CONNECT BATTERY GROUND STRAP (M113A3, M901A3, M1059A3, M1064A3, AND M58 ONLY).....0337 00

DISCONNECT/CONNECT BATTERY GROUND LEAD (M577A3 AND M1068A3 ONLY).....0338 00

DISCONNECT/CONNECT BATTERY GROUND LEAD (M981A3 ONLY).....0339 00

REPLACE BATTERY LEADS AND TERMINALS (M113A3, M901A3, AND M1059A3 ONLY).....0340 00

REPLACE BATTERY LEADS AND TERMINALS (M577A3 AND M1068A3 ONLY).....0341 00

REPLACE BATTERY LEADS AND TERMINALS (M981A3 ONLY).....0342 00

REPLACE BATTERY LEADS AND TERMINALS (LEFT SIDE) (M1064A3 ONLY).....0343 00

REPLACE BATTERY LEADS AND TERMINALS (RIGHT SIDE) (M1064A3 ONLY).....0344 00

REPLACE BATTERY LEADS AND TERMINALS (M58 ONLY).....0345 00

REPLACE BATTERIES AND RETAINERS (M113A3, M901A3, AND M1059A3 ONLY).....0346 00

REPLACE BATTERIES AND RETAINERS (M577A3 AND M1068A3 ONLY).....0347 00

REPLACE BATTERIES AND BATTERY BOX (M981A3 AND M58 ONLY).....0348 00

■ REPLACE BATTERIES AND RETAINERS (M1064A3 ONLY)0349 00

REPAIR BATTERY BOX (M113A3, M901A3, AND M1059A3 ONLY).....0350 00

REPAIR BATTERY BOX (M577A3 AND M1068A3 ONLY).....0351 00

REPAIR BATTERY BOX ACCESS COVER (M577A3 AND M1068A3 ONLY).....0352 00

REPAIR BATTERY DRAWER (M1064A3 ONLY).....0353 00

REPAIR BATTERY BOX (RIGHT SIDE) (M1064A3).....0354 00

REPLACE BATTERY BOX VENT FITTING (M981A3 AND M58 ONLY).....0355 00

REPLACE BATTERY TO MASTER SWITCH LEAD (CIRCUIT 6) (M113A3, M901A3, AND M1059A3 ONLY).....0356 00

REPLACE BATTERY TO MASTER SWITCH LEAD (CIRCUIT 6) (M577A3 AND M1068A3 ONLY).....0357 00

REPLACE BATTERY TO MASTER SWITCH LEAD (CIRCUIT 6) (M1064A3 ONLY)0358 00

REPLACE ENGINE WIRING HARNESS.....0359 00

REPLACE TRANSMISSION WIRING HARNESS0360 00

REPLACE TRANSMISSION CONTROLLER WIRING HARNESS.....0361 00

REPLACE REAR MAIN WIRING HARNESS (M113A3, M901A3, M981A3, M1059A3, AND M58).....0362 00

REPLACE REAR MAIN WIRING HARNESS (M577A3 ONLY).....0363 00

REPLACE REAR MAIN WIRING HARNESS (M1064A3 ONLY).....0364 00

REPLACE REAR MAIN WIRING HARNESS (M1068A3 ONLY).....0365 00

REPLACE SMOKE GRENADE LAUNCHER WIRING HARNESS (M113A3, M901A3, M981A3, M1059A3, AND M58 ONLY).....0366 00

■ REPLACE STEERING LOCK SWITCH WIRING HARNESS (ALL EXCEPT M58).....0367 00

■ REPLACE STEERING LOCK SWITCH WIRING HARNESS (M58 ONLY).....0367 01

REPLACE DRIVER’S NIGHT VISION (DNV) (AN/VVS-2) POWER SUPPLY CABLE ASSEMBLY (ALL EXCEPT M58).....0368 00

REPLACE BATTERY-TO-RADIO WIRING HARNESS (LEFT SIDE) (M113A3, M901A3, AND M1059A3 ONLY).....0369 00

TABLE OF CONTENTS (cont)

WP Sequence No.

REPLACE BATTERY-TO-RADIO WIRING HARNESS (RIGHT SIDE) (M113A3 ONLY).....	0370 00
REPLACE BATTERY-TO-RADIO WIRING HARNESS (CKT 48) (M981A3 ONLY).....	0371 00
REPLACE CAPACITOR COVER (M981A3 ONLY).....	0372 00
REPLACE RIGHT HEADLIGHT WIRING HARNESS.....	0373 00
REPLACE WARNING PANEL WIRING HARNESS.....	0374 00
REPLACE TRAILER HARNESS.....	0375 00
REPLACE RADIAC WIRE HARNESS (M113A3, M577A3, AND M1068A3 ONLY).....	0376 00
REPLACE UTILITY OUTLET LEAD ASSEMBLY (M577A3 AND M1068A3 ONLY).....	0377 00
REPLACE REAR UTILITY OUTLET RECEPTACLES (M577A3 AND M1068A3 ONLY).....	0378 00
REPLACE AUXILIARY POWER (SLAVE) RECEPTACLE GROUND LEAD (M113A3, M901A3, M1059A3, M1064A3, AND M58 ONLY).....	0379 00
REPLACE MASTER SWITCH PANEL DOME LIGHTS LEAD ASSEMBLY (M577A3 AND M1068A3 ONLY).....	0380 00
REPAIR INTERVEHICLE POWER CABLE (M577A3 AND M1068A3 ONLY).....	0381 00
REPAIR WIRING HARNESS.....	0382 00
REPLACE VENTILATION FAN (M577A3 AND M1068A3 ONLY).....	0383 00
 CHAPTER 9 — UNIT MAINTENANCE INSTRUCTIONS FOR TRANSMISSION	
REPLACE TRANSMISSION OIL DRAIN TUBES AND BRACKET.....	0384 00
REPLACE TRANSMISSION MOUNTS.....	038500
REPLACE TRANSMISSION RANGE CONTROLLER/BRACKET (USED WITH SOLENOID-ACTIVATED STEERING LOCK).....	0386 00
REPLACE TRANSMISSION RANGE CONTROLLER/BRACKET (USED WITH CABLE-ACTIVATED STEERING LOCK).....	0387 00
REPLACE TRANSMISSION RANGE CONTROLLER LAMP.....	0388 00
REPLACE TRANSMISSION RANGE CONTROLLER SWITCH.....	0389 00
ADJUST TOW START CONTROL CABLE ASSEMBLY.....	0390 00
REPLACE TOW START CONTROL ASSEMBLY AND BEARING.....	0391 00
REPLACE TOW START CONTROL ASSEMBLY COVER.....	0392 00
ADJUST TRANSMISSION STEERING.....	0393 00
ADJUST TRANSMISSION BRAKES.....	0394 00
REPLACE TRANSMISSION OIL LEVEL DIPSTICK, FILLER TUBE, AND ADAPTER (X200-4 ONLY).....	0395 00
REPLACE TRANSMISSION OIL LEVEL DIPSTICK, FILLER TUBE, AND ADAPTER (X200-4A ONLY).....	0396 00
REPLACE GOVERNOR ASSEMBLY.....	0397 00
REPLACE TRANSMISSION OIL AND OIL FILTER ELEMENT.....	0398 00
REPLACE TRANSMISSION OIL COOLER HOSES, FITTINGS, AND MOUNTING.....	0399 00
REPLACE TRANSMISSION OIL SAMPLING VALVE AND PRESSURE SWITCH.....	0400 00
REPLACE DIFFERENTIAL PRESSURE SWITCH AND BYPASS PLUG.....	0401 00
 CHAPTER 10 — UNIT MAINTENANCE INSTRUCTIONS FOR TRANSFER AND FINAL DRIVE ASSEMBLIES	

TABLE OF CONTENTS (cont)

	<u>WP Sequence No.</u>
REPLACE FINAL DRIVE FILLER TUBE AND DIPSTICK.....	0402 00
REPLACE FINAL DRIVE.....	0403 00
REPLACE FINAL DRIVE DIFFERENTIAL OIL SEAL.....	0404 00
 CHAPTER 11 — UNIT MAINTENANCE INSTRUCTIONS FOR PROPELLER SHAFTS AND UNIVERSAL JOINTS	
REPLACE PROPELLER SHAFT AND UNIVERSAL JOINTS.....	0405 00
 CHAPTER 12 — UNIT MAINTENANCE INSTRUCTIONS FOR BRAKES	
CHECK TRANSMISSION BRAKE ADJUSTMENT.....	0406 00
ADJUST SERVICE BRAKE CONTROL LINKAGE.....	0407 00
ADJUST PARKING BRAKE	0408 00
REPLACE UPPER AND LOWER SERVICE BRAKE PEDAL.....	0409 00
REPLACE SERVICE BRAKE CONTROL LINKAGE	0410 00
REPLACE PARKING BRAKE CONTROL CABLE ASSEMBLY.....	0411 00
REPLACE PARKING BRAKE CONTROL LEVER ASSEMBLY	0412 00
 Volume 4	
 CHAPTER 13 — UNIT MAINTENANCE INSTRUCTIONS FOR WHEELS AND TRACKS	
REPLACE TORSION BAR.....	0413 00
REPLACE TORSION BAR ANCHOR.....	0414 00
REPLACE ROAD WHEEL SUPPORT ARM, BEARINGS, AND SEALS.....	0415 00
REPLACE ROAD WHEEL HUB.....	0416 00
REPLACE IDLER WHEEL ARM ASSEMBLY.....	0417 00
REPLACE IDLER WHEEL ARM BEARINGS AND SEALS.....	0418 00
REPLACE TRACK TENSION ADJUSTER AND MOUNT.....	0419 00
REPLACE DRIVE SPROCKET AND CARRIER ASSEMBLY.....	0420 00
REPAIR DRIVE SPROCKET CARRIER ASSEMBLY.....	0421 00
REPLACE TRACK.....	0422 00
REPLACE TRACK SHOE ASSEMBLY.....	0423 00
REPLACE TRACK SHOE PAD.....	0424 00
REPLACE IDLER WHEEL.....	0425 00
REPLACE ROAD WHEEL.....	0426 00
 CHAPTER 14 — UNIT MAINTENANCE INSTRUCTIONS FOR STEERING	
ADJUST STEERING WHEEL LINKAGE.....	0427 00
REPLACE STEERING LOCK SOLENOID, BRACKET, LINKS, AND PINS (SOLENOID-ACTIVATED LOCK).....	0428 00
REPLACE PUSH-PULL CONTROL ASSEMBLY, BRACKET, LINKS, AND PINS (CABLE-ACTIVATED LOCK).....	0429 00
REPLACE STEERING WHEEL LINKAGE.....	0430 00
REPLACE QUICK RELEASE PIN AND LANYARD.....	0431 00

TABLE OF CONTENTS (cont)

	<u>WP Sequence No.</u>
REPLACE STEERING SUPPORT, BRACKETS, AND SHAFT.....	0432 00
CHAPTER 15 — UNIT MAINTENANCE INSTRUCTIONS FOR TOWING ATTACHMENTS	
REPLACE TOWING PINTLE.....	0433 00
REPAIR TOWING PINTLE.....	0434 00
CHAPTER 16 — UNIT MAINTENANCE INSTRUCTIONS FOR SHOCK ABSORBERS	
REPLACE SHOCK ABSORBER.....	0435 00
REPLACE SHOCK ABSORBER MOUNT.....	0436 00
REPLACE SHOCK ABSORBER PIN.....	0437 00
CHAPTER 17 — UNIT MAINTENANCE INSTRUCTIONS FOR HULL	
REPLACE TRACK SHROUD AND COVERS.....	0438 00
REPAIR/REPLACE POWER PLANT REAR ACCESS PANELS.....	0439 00
REMOVE/INSTALL FAN DRIVE PULLEY ACCESS COVER.....	0440 00
REPLACE DRIVER'S POWER PLANT ACCESS PANEL.....	0441 00
REPAIR PAMPHLET BAG MOUNTING.....	0442 00
REPLACE TOWING HOOK AND EYE.....	0443 00
REPLACE LIFTING EYE.....	0444 00
REPLACE REAR TIEDOWN PLATES.....	0445 00
REPLACE HEADLIGHT GUARD.....	0446 00
REPLACE LEFT FRONT ARMOR PLATE.....	0447 00
REPLACE RIGHT FRONT ARMOR PLATE.....	0448 00
REPLACE HULL FRONT ACCESS COVER.....	0449 00
REPLACE POWER PLANT BOTTOM ACCESS COVER.....	0450 00
REPLACE HULL DRAIN PLUG.....	0451 00
REPLACE FINAL DRIVE HULL DRAIN PLUGS.....	0452 00
REPLACE DRIVER'S COMPARTMENT FLOOR PLATES.....	0453 00
REPLACE REAR COMPARTMENT AIR VENTILATOR.....	0454 00
REPLACE SMOKE GRENADE LAUNCHER GUARD, PLATE, AND BASE (M113A3, M901A3, M981A3, AND M1059A3 ONLY).....	0455 00
REPLACE WATER BARRIER (M113A3, M577A3, AND M1068A3 ONLY).....	0456 00
REPLACE WATER BARRIER LOOP AND STRAP (M113A3, M577A3, AND M1068A3 ONLY).....	0457 00
REPLACE TRIM VANE.....	0458 00
REPAIR TRIM VANE (ALL EXCEPT M58).....	0459 00
REPAIR TRIM VANE (M58 ONLY).....	0460 00
REPAIR TRIM VANE CONTROL LINKAGE.....	0461 00
REPLACE TRIM VANE RELEASE.....	0462 00
REPAIR TRIM VANE RELEASE.....	0463 00
RAISE AND LOWER POWER PLANT GRILLE.....	0464 00
REMOVE/INSTALL POWER PLANT GRILLE.....	0465 00
REPLACE COMBAT FILLER COVER AND LOCK.....	0466 00

TABLE OF CONTENTS (cont)

	<u>WP Sequence No.</u>
REPLACE POWER PLANT GRILL SUPPORT ARM.....	0467 00
REPLACE POWER PLANT GRILL SCREEN.....	0468 00
REPLACE RADIATOR ACCESS DOOR.....	0469 00
REPLACE POWER PLANT DOOR (M113A3 ONLY).....	0470 00
REPLACE POWER PLANT DOOR (ALL EXCEPT M113A3).....	0471 00
REPAIR POWER PLANT DOOR.....	0472 00
REPLACE POWER PLANT DOOR COMBAT LOCK.....	0473 00
REPLACE CARGO HATCH HOLD-OPEN HOOK AND BUMPERS (M113A3, M901A3, M981A3, AND M1059A3 ONLY).....	0474 00
REPLACE CARGO HATCH INTERIOR LATCH (M113A3, M901A3, M981A3, AND M1059A3 ONLY).....	0475 00
REPAIR CARGO HATCH LATCH (M901A3 ONLY).....	0476 00
REPLACE CARGO HATCH SUPPORT (M901A3 ONLY).....	0477 00
REPLACE CARGO HATCH SEALS (M113A3, M901A3, M981A3, AND M1059A3 ONLY).....	0478 00
REPLACE CARGO HATCH COVER (M113A3, M901A3, M981A3, AND M1059A3 ONLY).....	0479 00
REPLACE MORTAR HATCH EXTERIOR CATCHES AND BUMPERS (M1064A3 ONLY).....	0480 00
REPLACE MORTAR HATCH INTERIOR RELEASE MECHANISMS (M1064A3 ONLY).....	0481 00
REPLACE MORTAR HATCH COVERS (M1064A3 ONLY).....	0482 00
REPLACE HOPPER HATCH LOCK ASSEMBLY (M58 ONLY).....	0483 00
REPLACE HOPPER HATCH (M58 ONLY).....	0484 00
REPLACE TURBINE ACCESS DOOR (M58 ONLY).....	0485 00
REPLACE TURBINE ACCESS DOOR GASKET (M58 ONLY).....	0486 00
REPLACE TURBINE ACCESS DOOR HINGES (M58 ONLY).....	0487 00
REPLACE COMMANDER'S CUPOLA CUSHIONING PAD AND HANDLE (M113A3, M1059A3, M58, AND M1064A3 ONLY).....	0488 00
REPLACE COMMANDER'S CUPOLA AZIMUTH LOCK (M113A3, M1059A3, M58 AND M1064A3 ONLY).....	0489 00
REPLACE COMMANDER'S CUPOLA VISION BLOCK LOCKS AND SEALS (M113A3 AND M1059A3, M58 ONLY).....	0490 00
REPLACE COMMANDER'S CUPOLA VISION BLOCK LOCKS AND SEALS (M1064A3 ONLY).....	0491 00
REPLACE COMMANDER'S CUPOLA BRAKE ASSEMBLY (M113A3, M1059A3, M58, AND M1064A3 ONLY).....	0492 00
REPLACE COMMANDER'S CUPOLA COVER (M113A3, M1059A3, M58, AND M1064A3 ONLY).....	0493 00
REPLACE COMMANDER'S CUPOLA HOLD-OPEN HOOK AND BUMPER (M113A3, M1059A3, M58, AND M1064A3 ONLY).....	0494 00
REPLACE COMMANDER'S CUPOLA SAFETY PIN STOWAGE BLOCK (M113A3, M1059A3, M58, AND M1064A3 ONLY).....	0495 00
REPLACE COMMANDER'S CUPOLA INTERIOR LATCH (M113A3, M1059A3, M58, AND M1064A3 ONLY).....	0496 00

TABLE OF CONTENTS (cont)

	<u>WP Sequence No.</u>
REPLACE COMMANDER'S CUPOLA MACHINE GUN MOUNT (M113A3, M1059A3, M58, AND M1064A3 ONLY).....	0497 00
REPAIR COMMANDER'S CUPOLA MACHINE GUN MOUNT (M113A3, M1059A3, M58, AND M1064A3 ONLY).....	0498 00
REPLACE COMMANDER'S CUPOLA MACHINE GUN MOUNT STOPS (M1059A3 ONLY).....	0499 00
REPLACE COMMANDER'S HATCH CUSHIONING PAD AND HANDLE (M577A3 AND M1068A3 ONLY).....	0500 00
REPLACE COMMANDER'S HATCH HOOK AND BUMPER (M577A3 AND M1068A3 ONLY).....	0501 00
REPLACE COMMANDER'S HATCH INTERIOR LATCH (M577A3 AND M1068A3 ONLY).....	0502 00
REPLACE COMMANDER'S HATCH COVER (M577A3 AND M1068A3 ONLY)	0503 00
REPLACE RIGHT SIDE SPALL LINERS (M113A3 ONLY).....	0504 00
REPLACE LEFT SIDE SPALL LINERS (M113A3 ONLY).....	0505 00
REPAIR SPALL LINER QUICK RELEASE PINS AND PLATES (M113A3 ONLY).....	0506 00
REPLACE FORWARD SPALL LINER AND BRACKET (M113A3 ONLY).....	0507 00
REPLACE FORWARD UPPER RIGHT AND LEFT SIDE SPALL LINERS (M113A3 ONLY).....	0508 00
REPLACE SPALL LINER ON CARGO HATCH COVER (M113A3 ONLY).....	0509 00
REPLACE REAR UPPER HULL SPALL LINER (M113A3 ONLY).....	0510 00
REPLACE SPALL LINER ON RAMP DOOR (M113A3 ONLY).....	0511 00
REPLACE SPALL LINER ON RAMP (M113A3 ONLY).....	0512 00
RAISE/LOWER INOPERABLE/UNSAFE RAMP.....	0513 00
REPLACE RAMP SEAL.....	0514 00
REPLACE RAMP DRAIN PLUGS.....	0515 00
REPLACE RAMP BRACKET (M113A3, M577A3, AND M1068A3 ONLY).....	0516 00
REPLACE RAMP DOOR STOP BRACKET.....	0517 00
REPLACE RAMP DOOR HOOK AND SPRING.....	0518 00
REPLACE RAMP DOOR HANDLES AND SHAFT.....	0519 00
REPLACE RAMP DOOR SEAL.....	0520 00
ADJUST RAMP LOCK (M113A3, M901A3, M981A3, AND M1059A3 ONLY).....	0521 00
ADJUST RAMP LOCK (M577A3 AND M1068A3 ONLY).....	0522 00
ADJUST RAMP LOCK (M1064A3 ONLY).....	0523 00
REPLACE RAMP LOCK HANDLE AND ARMS (ALL EXCEPT M577A3 AND M1068A3).....	0524 00
REPLACE RAMP LOCK LEVER AND CABLE (M577A3 AND M1068A3 ONLY).....	0525 00
REPLACE RAMP LINKAGE (M113A3, M901A3, M981A3, AND M1059A3 ONLY).....	0526 00
REPLACE RAMP LINKAGE (M577A3 AND M1068A3 ONLY).....	0527 00
REPLACE RAMP LINKAGE (M1064A3 ONLY).....	0528 00
REPAIR HULL BY WELDING.....	0529 00
REPLACE DRIVER'S HATCH CUSHIONING PAD.....	0530 00

TABLE OF CONTENTS (cont)

WP Sequence No.

REPLACE DRIVER'S HATCH COVER AND EXTERIOR LOCK (ALL EXCEPT M901A3 AND M981A3).....	0531 00
REPLACE DRIVER'S HATCH HOLD-OPEN HOOK AND BUMPER (M113A3, M1059A3, M1064A3, AND M58 ONLY).....	0532 00
REPLACE DRIVER'S HATCH HOLD-OPEN HOOK AND BUMPER (M577A3 AND M1068A3 ONLY).....	0533 00
REPLACE DRIVER'S HATCH INTERIOR LOCK AND LATCH.....	0534 00
REPLACE DRIVER'S HATCH VISION BLOCK LOCKS AND SEALS.....	0535 00
REPLACE DRIVER'S HATCH AN/VVS-2 DRIVER'S NIGHT VISION GUARD (ALL EXCEPT M58).....	0536 00
■ REPLACE DRIVER'S HATCH NIGHT VISION GUARD (M58 ONLY).....	0536 01
REPLACE AN/VVS-2 DRIVER'S NIGHT VISION MOUNT (ALL EXCEPT M58).....	0537 00
■ REPLACE DRIVER'S HATCH NIGHT VISION MOUNT (M58 ONLY).....	0537 01
REPAIR DRIVER'S HATCH (M901A3 AND M981A3 ONLY).....	0538 00
REPLACE FLOOR PLATES (M113A3 AND M577A3 ONLY).....	0539 00
REPLACE FLOOR PLATES (M901A3 ONLY).....	0540 00
REPLACE FLOOR PLATES (M981A3 ONLY).....	0541 00
REPLACE FLOOR PLATES (M1059A3 ONLY).....	0542 00
REPLACE FLOOR PLATES (M1064A3 ONLY).....	0543 00
REPLACE FLOOR PLATES (M1068A3 ONLY).....	0544 00
REPLACE FLOOR PLATES (M58 ONLY).....	0545 00
REPLACE PERSONNEL SEATS, CUSHIONS, AND BELTS (M113A3 ONLY).....	0546 00
REPLACE PERSONNEL SEATS, CUSHIONS, AND BELTS (M577A3 ONLY).....	0547 00
REPLACE PERSONNEL SEAT, CUSHION, AND BELTS (M981A3 ONLY).....	0548 00
REPLACE PERSONNEL SEATS, BACKRESTS, CUSHIONS, AND BELTS (M1059A3 ONLY).....	0549 00
REPLACE PERSONNEL SEATS, BACKRESTS, CUSHIONS, AND BELTS (M1064A3 ONLY).....	0550 00
REPLACE DRIVER'S SEAT ASSEMBLY.....	0551 00
REPAIR DRIVER'S SEAT.....	0552 00
REPLACE DRIVER'S SEAT BACK ASSEMBLY.....	0553 00
REPAIR DRIVER'S SEAT BACK ASSEMBLY.....	0554 00
REPLACE DRIVER'S SEAT IMPACT ABSORBER.....	0555 00
REPLACE DRIVER'S SEAT POST ASSEMBLY.....	0556 00
REPAIR DRIVER'S SEAT POST ASSEMBLY.....	0557 00
REPLACE DRIVER'S FOOTREST.....	0558 00
REPLACE/REPAIR COMMANDER'S PLATFORM (M113A3, M1059A3, M1064A3, AND M58 ONLY).....	0559 00
REPLACE COMMANDER'S SEAT AND POST (M113A3, M1059A3, AND M58 ONLY).....	0560 00
REPLACE COMMANDER'S SEAT AND POST (M1064A3 ONLY).....	0561 00
REPAIR COMMANDER'S SEAT (M113A3, M1059A3, M1064A3, AND M58 ONLY).....	0562 00
REPLACE COMMANDER'S JUMP SEAT (M113A3 ONLY).....	0563 00

TABLE OF CONTENTS (cont)

	<u>WP Sequence No.</u>
REPLACE/REPAIR COMMANDER’S PLATFORM AND POST (M577A3 AND M1068A3 ONLY).....	0564 00
REPLACE COMMANDER’S SEAT (OBSERVATION PERISCOPE) (M901A3 AND M981A3 ONLY).....	0565 00
REPLACE/REPAIR COMMANDER’S SEAT (M1068A3 ONLY).....	0566 00
REPLACE/REPAIR OPERATOR’S SEAT (M1059A3 ONLY).....	0567 00
REPLACE/REPAIR RADIO OPERATOR’S SEAT (M981A3, M1068A3, AND M58 ONLY).....	0568 00
REPLACE WEBBING STRAPS.....	0569 00
REPLACE CUSHIONING PADS.....	0570 00
REPLACE TOOL BOX LOOPS.....	0571 00
REPLACE AN/VVS-2 DRIVER’S NIGHT VISION STOWAGE MOUNT (ALL EXCEPT M58).....	0572 00
REPLACE RIFLE BRACKETS.....	0573 00
REPLACE OIL CAN BRACKET.....	0574 00
REPLACE ANTENNA GUARDS (ALL EXCEPT M981A3).....	0575 00
REPLACE ANTENNA COVERS (ALL EXCEPT M981A3).....	0576 00
REPLACE LEFT BULKHEAD RADIO STOWAGE RACKS (M577A3 AND M1068A3 ONLY).....	0577 00
REPLACE LEFT TABLE (M577A3 ONLY).....	0578 00
REPLACE RIGHT FRONT RADIO STOWAGE RACK (M577A3 ONLY).....	0579 00
REPLACE MAP BOARD (M577A3 ONLY).....	0580 00
REPLACE RIGHT FORWARD TABLE (M577A3 ONLY).....	0581 00
REPLACE RIGHT REARWARD TABLE (M577A3 ONLY).....	0582 00
REPLACE M26 PERISCOPE/MOUNT (M901A3 AND M981A3 ONLY).....	0583 00
REPAIR M26 PERISCOPE MOUNT (M901A3 AND M981A3 ONLY).....	0584 00
REPLACE PERISCOPE MOUNTING BRACKET (M901A3 AND M981A3 ONLY).....	0585 00
REPLACE/REPAIR RAMP VISION PORT AND SHIELD (M901A3, M981A3, AND M58 ONLY).....	0586 00
REPLACE AMMUNITION STOWAGE RACK (M901A3 ONLY).....	0587 00
REPLACE MISSILE RACK (M901A3 ONLY).....	0588 00
REPLACE MISSILE RACK RETAINERS (M901A3 ONLY).....	0589 00
REPLACE LAUNCH TUBE STOWAGE BRACKET (M901A3 ONLY).....	0590 00
REPLACE TRAVERSING UNIT MOUNT AND SPACER (M901A3 ONLY).....	0591 00
REPLACE TRIPOD STOWAGE BRACKETS (M901A3 ONLY).....	0592 00
REPLACE VEHICLE ACCESS BOX (M901A3 AND M981A3 ONLY).....	0593 00
REPLACE SIDE ARMOR (M901A3 ONLY).....	0594 00
REPLACE LAUNCHER LOW-STOW STOWAGE BRACKET(M901A3 ONLY).....	0595 00
REPLACE LOW-STOW CUSHION BASE (M901A3 ONLY).....	0596 00
REPLACE/REPAIR ELECTRICAL EQUIPMENT RACK ASSEMBLY (M981A3 ONLY).....	0597 00
REPAIR SMALL ITEMS STORAGE DRAWER (M981A3 ONLY).....	0598 00
REPLACE/REPAIR BACKPACK STOWAGE RACK (M981A3 ONLY).....	0599 00

TABLE OF CONTENTS (cont)

	<u>WP Sequence No.</u>
REPLACE ANTENNA GUARD (M981A3 ONLY).....	0600 00
REPLACE ANTENNA COVERS (M981A3 ONLY).....	0601 00
REPLACE ANTENNA SUPPORT (M981A3 AND M58 ONLY).....	0602 00
REPLACE CABLE REEL HOLDER ASSEMBLY (M981A3 AND M1064A3 ONLY).....	0603 00
REPAIR CABLE REEL HOLDER ASSEMBLY (M981A3 AND M1064A3 ONLY).....	0604 00
REPAIR NONSKID SURFACES (M981A3 ONLY).....	0605 00
REPLACE HORIZONTAL AMMUNITION RACK (M1064A3 ONLY)	0606 00
REPAIR HORIZONTAL AMMUNITION RACK (M1064A3 ONLY).....	0607 00
REPLACE VERTICAL AMMUNITION RACK (M1064A3 ONLY).....	0608 00
REPLACE RADIO STOWAGE RACK (M1064A3 ONLY).....	0609 00
REPLACE GRENADE STOWAGE BOX (M1064A3 ONLY).....	0610 00
REPLACE PERISCOPE STOWAGE BOX (M1064A3 ONLY).....	0611 00
REPLACE RIFLE RACK (M1064A3 ONLY).....	0612 00
REPLACE SIGHT EXTENSION ARM STOWAGE BRACKETS (M1064A3 ONLY).....	0613 00
REPLACE WINDSHIELD STOWAGE BRACKET (M1064A3 ONLY).....	0614 00
REPLACE MORTAR BASE STOWAGE BRACKET (M1064A3 ONLY).....	0615 00
REPLACE LEFT SIDE RACK BASE (M1068A3 ONLY).....	0616 00
REPLACE PERSONNEL HEATER CONTROL BOX AND INTERCOM BOX BRACKET (M1068A3 ONLY).....	0617 00
REPLACE/REPAIR MAP BOARD (M1068A3 ONLY).....	0618 00
REPLACE MAP STORAGE BOX (M1068A3 ONLY).....	0619 00
REPAIR MAP STORAGE BOX (M1068A3 ONLY).....	0620 00
REPLACE RIGHT SIDE SHELF ASSEMBLY (M1068A3 ONLY).....	0621 00
REPLACE RIGHT SIDE RACK BASE (M1068A3 ONLY).....	0622 00
REPLACE RIGHT SIDE BASE EXTENSION (M1068A3 ONLY).....	0623 00
REPLACE RIGHT SIDE BASE EXTENSION SUPPORTS (M1068A3 ONLY).....	0624 00
REPLACE/REPAIR ANTENNA MAST BRACKET ASSEMBLY, TAILLIGHT WIRING HARNESS, AND BRACKET (M1068A3 ONLY).....	0625 00
REPLACE REAR EXTERNAL STOWAGE FRAME (M1068A3 ONLY).....	0626 00
REPLACE STOWAGE BRACKETS FOR W1, W2, AND NATO SLAVE CABLES (M1068A3 AND M577A3).....	0626 01

Volume 5

CHAPTER 18 — UNIT MAINTENANCE INSTRUCTIONS FOR HULL ACCESSORY ITEMS

REPLACE TENT AND TENT CLAMPS (M577A3 ONLY).....	0627 00
REPLACE TENT AND FRAME MOUNTS (M577A3 ONLY).....	0628 00
REPLACE BLACKOUT CURTAIN AND FRAME (M577A3 AND M1068A3 ONLY).....	0629 00
REPLACE/REPAIR DRIVER'S LEVEL INDICATOR (M901A3 AND M981A3 ONLY)	0630 00
REPLACE FRONT BILGE PUMP PIPES.....	0631 00
REPLACE FRONT BILGE PUMP AND STRAINER.....	0632 00
REPLACE FRONT BILGE VALVE.....	0633 00

TABLE OF CONTENTS (cont)

	<u>WP Sequence No.</u>
REPLACE REAR BILGE PUMP PIPES.....	.0634 00
REPLACE REAR BILGE PUMP AND STRAINER.....	.0635 00
STENCILS (M113A3 ONLY).....	.0636 00
STENCILS (M577A3 ONLY).....	.0637 00
STENCILS (M901A3 ONLY).....	.0638 00
STENCILS (M981A3 ONLY).....	.0639 00
STENCILS (M1059A3 ONLY).....	.0640 00
STENCILS (M1064A3 ONLY).....	.0641 00
STENCILS (M1068A3 ONLY).....	.0642 00
STENCILS (M58 ONLY).....	.0643 00
DATAPLATES, DECALS, AND MARKERS (ALL MODELS).....	.0644 00
DATAPLATES, DECALS, AND MARKERS (M113A3, M901A3, M981A3, M1059A3 ONLY).....	.0645 00
DATAPLATES, DECALS, AND MARKERS (M113A3, M901A3, M1059A3, M58 ONLY).....	.0646 00
DATAPLATES, DECALS, AND MARKERS (M113A3, M1059A3 ONLY).....	.0647 00
DATAPLATES, DECALS, AND MARKERS (M577A3, M1068A3 ONLY).....	.0648 00
DATAPLATES, DECALS, AND MARKERS (M901A3 ONLY).....	.0649 00
DATAPLATES, DECALS, AND MARKERS (M981A3 ONLY).....	.0650 00
DATAPLATES, DECALS, AND MARKERS (M1059A3 ONLY).....	.0651 00
DATAPLATES, DECALS, AND MARKERS (M1064A3 ONLY).....	.0652 00
DATAPLATES, DECALS, AND MARKERS (M58 ONLY).....	.0653 00
REPLACE DATAPLATES, STENCILS, MARKERS, AND DECALS.....	.0654 00
 CHAPTER 19 — UNIT MAINTENANCE INSTRUCTIONS FOR HYDRAULIC SYSTEM	
REPLACE RAMP HYDRAULIC PUMP.....	.0655 00
REPLACE RAMP CYLINDER.....	.0656 00
REPLACE WIRE ROPE AND PULLEYS (ALL EXCEPT M1064A3).....	.0657 00
REPLACE WIRE ROPE AND PULLEYS (M1064A3 ONLY).....	.0658 00
REPLACE RAMP CONTROL VALVE (WITH EXTERNAL RELIEF VALVE) AND FITTINGS.....	.0659 00
REPLACE RAMP CONTROL VALVE, EXTERNAL RELIEF VALVE, AND FITTINGS WITH RAMP CONTROL VALVE (INTERNAL RELIEF VALVE).....	.0660 00
REPLACE RAMP CONTROL VALVE (WITH INTERNAL RELIEF VALVE) AND FITTINGS.....	.0661 00
REPLACE SAFETY RELIEF VALVE, TUBE, HOSE, AND FITTINGS.....	.0662 00
REPLACE RAMP CONTROL VALVE HOSE AND ELBOW.....	.0663 00
REPLACE TUBE FROM RAMP CONTROL VALVE TO BULKHEAD.....	.0664 00
REPLACE HOSE FROM BULKHEAD CONNECTION TO RAMP CYLINDER.....	.0665 00
REPLACE RAMP CYLINDER BREATHER HOSE (ALL EXCEPT M1064A3).....	.0666 00
REPLACE RAMP CYLINDER BREATHER HOSE (M1064A3 ONLY).....	.0667 00
REPLACE POWER PLANT HYDRAULIC HOSES.....	.0668 00
SERVICE HYDRAULIC RESERVOIR.....	.0669 00

TABLE OF CONTENTS (cont)

	<u>WP Sequence No.</u>
SERVICE HYDRAULIC RESERVOIR BREATHER.....	0670 00
REPLACE HYDRAULIC RESERVOIR.....	0671 00
REPAIR HYDRAULIC RESERVOIR.....	0672 00
 CHAPTER 20 — UNIT MAINTENANCE INSTRUCTIONS FOR TOOLS AND TEST EQUIPMENT	
INSPECT POWER PLANT SLING.....	0673 00
 CHAPTER 21 — UNIT MAINTENANCE INSTRUCTIONS FOR AUXILIARY GENERATOR	
REPLACE GENERATOR SET ENCLOSURE (M577A3 AND M1068A3 ONLY).....	0674 00
REPLACE 5.0 KW AUXILIARY POWER UNIT (M577A3 AND M1068A3 ONLY).....	0675 00
REPLACE AUXILIARY POWER UNIT FUEL SHUTOFF VALVE (M577A3 AND M1068A3 ONLY).....	0676 00
REPLACE AUXILIARY POWER UNIT VALVE-TO-BULKHEAD FUEL SUPPLY HOSES (M577A3 AND M1068A3 ONLY).....	0677 00
REPLACE AUXILIARY POWER UNIT BULKHEAD-TO-HULL FUEL SUPPLY HOSES (M577A3 AND M1068A3 ONLY).....	0678 00
 CHAPTER 22 — UNIT MAINTENANCE INSTRUCTIONS FOR SPECIAL PURPOSE KITS	
BLEED AIR FROM PERSONNEL HEATER FUEL LINES.....	0679 00
SERVICE PERSONNEL HEATER FUEL FILTER.....	0680 00
SERVICE PERSONNEL HEATER FUEL PUMP.....	0681 00
REPLACE HEATER AIR INTAKE AND EXHAUST PIPES (ALL EXCEPT M1064A3).....	0682 00
REPLACE HEATER AIR INTAKE AND EXHAUST PIPES(M1064A3 ONLY).....	0683 00
REPLACE FUEL SHUT-OFF VALVE ASSEMBLY (M113A3, M981A3, M1059A3, AND M58 ONLY).....	0684 00
REPLACE HEATER/FILTER FUEL SUPPLY HOSES (M113A3, M981A3, M1059A3, AND M58 ONLY).....	0685 00
REPLACE PERSONNEL HEATER FUEL TUBE (ALL EXCEPT M1064A3).....	0686 00
REPLACE BULKHEAD CONNECTION TO PERSONNEL HEATER TUBE (M577A3 AND M1068A3 ONLY).....	0687 00
REPLACE PERSONNEL HEATER FUEL FILTER, HOSES, AND FITTINGS (M1064A3 ONLY).....	0688 00
REPLACE PERSONNEL HEATER FUEL PUMP HOSE (M113A3, M981A3, M1059A3, AND M58 ONLY).....	0689 00
REPLACE FUEL TANK TO FUEL PUMP HOSE (M577A3 AND M1068A3 ONLY).....	0690 00
REPLACE FUEL PUMP TO BULKHEAD CONNECTION HOSE (M113A3, M981A3, M1059A3, AND M58 ONLY).....	0691 00
REPLACE FUEL PUMP TO BULKHEAD CONNECTION HOSE (M577A3 AND M1068A3 ONLY).....	0692 00
REPLACE PERSONNEL HEATER FUEL PUMP TO BULKHEAD CONNECTION HOSE (M901A3 ONLY).....	0693 00
REPLACE FUEL PUMP HOSE TO HEATER FUEL SHUTOFF VALVE (M901A3 AND M1064A3 ONLY).....	0694 00
REPLACE PERSONNEL HEATER FUEL PUMP (M113A3, M1059A3, AND M58 ONLY).....	0695 00

TABLE OF CONTENTS (cont)

	<u>WP Sequence No.</u>
REPLACE PERSONNEL HEATER FUEL PUMP (M577A3 AND M1068A3 ONLY).....	0696 00
REPLACE HEATER FUEL PUMP (M1064A3 ONLY).....	0697 00
REPLACE PERSONNEL HEATER FUEL FILTER/BRACKET (M113A3, M1059A3, AND M58 ONLY).....	0698 00
REPLACE PERSONNEL HEATER FUEL FILTER/BRACKET (M981A3 ONLY).....	0699 00
REPLACE PERSONNEL HEATER FUEL FILTER, HOSE, TUBE, AND FITTINGS (M577A3, M901A3, AND M1068A3 ONLY).....	0700 00
REPLACE PERSONNEL HEATER CONTROL BOX.....	0701 00
REPAIR PERSONNEL HEATER CONTROL BOX.....	0702 00
REPLACE PERSONNEL HEATER ASSEMBLY (ALL EXCEPT M1064A3).....	0703 00
REPLACE PERSONNEL HEATER ASSEMBLY (M1064A3 ONLY).....	0704 00
REPAIR PERSONNEL HEATER ASSEMBLY.....	0705 00
REPLACE PERSONNEL HEATER DUCT AND HOSES.....	0706 00
REPAIR PERSONNEL HEATER DUCT.....	0707 00
SERVICE COOLANT HEATER FUEL FILTER.....	0708 00
SERVICE COOLANT HEATER FUEL PUMP.....	0709 00
DRAIN AND FILL ENGINE COOLANT HEATER SYSTEM.....	0710 00
REPLACE COOLANT HEATER FUEL PUMP HOSE.....	0711 00
REPLACE COOLANT HEATER FUEL INLET HOSE AND FITTINGS.....	0712 00
REPLACE COOLANT PUMP TO BATTERY BOX HOSES.....	0713 00
REPLACE ENGINE TO BATTERY BOX HOSE.....	0714 00
REPLACE COOLANT HEATER TO ENGINE ELBOW HOSE.....	0715 00
REPLACE COOLANT HEATER FILTER VALVE HOSE.....	0716 00
REPLACE ENGINE BLOCK FITTING AND HARDWARE.....	0717 00
REPLACE BATTERY BOX INSULATION AND HEAT EXCHANGER.....	0718 00
REPLACE BATTERY DRAWER INSULATION AND HEAT EXCHANGER (M1064A3 ONLY).....	0719 00
REPLACE COOLANT HEATER FUEL SHUTOFF VALVE.....	0720 00
REPLACE FUEL PUMP TEE TO ELBOW HOSE.....	0721 00
REPLACE BATTERY PLATE TO BATTERY PLATE HOSE.....	0722 00
REPLACE COOLANT HEATER FUEL PUMP.....	0723 00
REPLACE COOLANT HEATER EXHAUST ELBOW AND PIPES.....	0724 00
REPLACE HEATER TO SURGE TANK HOSE.....	0725 00
REPLACE FUEL FILTER.....	0726 00
ADJUST FLAME DETECTOR SWITCH.....	0727 00
REPLACE COOLANT HEATER AND PUMP UNIT.....	0728 00
REPLACE COOLANT HEATER.....	0729 00
REPLACE IGNITER.....	0730 00
REPLACE COOLANT HEATER PUMP.....	0731 00
REPLACE COOLANT HEATER AND COOLANT PUMP BRACKET.....	0732 00
REPLACE COOLANT PUMP TO HEATER WIRING HARNESS.....	0733 00
REPLACE FLAME DETECTOR SWITCH.....	0734 00

TABLE OF CONTENTS (cont)

	<u>WP Sequence No.</u>
REPLACE COOLANT HEATER WIRING HARNESS.....	0735 00
REPLACE COOLANT HEATER CONTROL BOX.....	0736 00
REPAIR COOLANT HEATER CONTROL BOX.....	0737 00
REPLACE NON-SKID PLATES (M1064A3 ONLY).....	0738 00
REPLACE DRIVER'S WINDSHIELD.....	0739 00
REPLACE DRIVER'S WINDSHIELD STOWAGE BAG, STRAPS, AND DECAL.....	0740 00
INITIAL INSTALLATION OF LITTER KIT (M113A3 ONLY).....	0741 00
REPLACE POST ASSEMBLY (M113A3 ONLY).....	0742 00
REPAIR POST ASSEMBLY (M113A3 ONLY).....	0743 00
REPLACE CHAIN ASSEMBLY (M113A3 ONLY).....	0744 00
REPAIR CHAIN ASSEMBLY (M113A3 ONLY).....	0745 00
REPLACE ARTILLERY COMMUNICATION INSIDE CABLE (M577A3 ONLY).....	0746 00
REPLACE COMMANDER'S CUPOLA ARMOR SHIELDS (M113A3 AND M1064A3 ONLY).....	0747 00
INSTALL ARMOR KIT (M113A3 ONLY).....	0748 00
REPLACE FRONT ARMOR (M113A3 ONLY).....	0749 00
REPLACE SIDE ARMOR/STOWAGE BOX (M113A3 ONLY).....	0750 00
REPLACE REAR ARMOR (M113A3 ONLY).....	0751 00
INSTALL/REMOVE MINE ARMOR KIT (M113A3 ONLY).....	0752 00
REPLACE FOG OIL TANK MODULE (M1059A3 ONLY).....	0753 00
REPLACE SMOKE GENERATOR BREATHER HOSE ASSEMBLY (M1059A3 ONLY).....	0754 00
REPLACE SMOKE GENERATOR ASSEMBLY AND SUPPORT BRACKET (M1059A3 ONLY).....	0755 00
REPLACE SMOKE GENERATOR CONTROL PANEL ASSEMBLY (M1059A3 ONLY).....	0756 00
REPLACE SMOKE GENERATOR SYSTEM POWER SUPPLY CABLE ASSEMBLY (M1059A3 ONLY).....	0757 00
REPLACE AIR COMPRESSOR ELECTRICAL CABLE ASSEMBLY (M1059A3 ONLY).....	0758 00
REPLACE FOG OIL PUMP ELECTRICAL CABLE ASSEMBLY.....	0759 00
REPLACE SMOKE GENERATOR INTERNAL CABLE ASSEMBLY (M1059A3 ONLY).....	0760 00
REPLACE ADAPTER ACCESS PLATE TO GENERATOR ELECTRICAL CABLE ASSEMBLY (M1059A3 ONLY).....	0761 00
REPLACE AIR COMPRESSOR ASSEMBLY (M1059A3 ONLY).....	0762 00
REPLACE FOG OIL PUMP ASSEMBLY (M1059A3 ONLY).....	0763 00
REPLACE SMOKE GENERATOR FUEL CAN LID ASSEMBLY (M1059A3 ONLY).....	0764 00
REPLACE SMOKE GENERATOR FUEL LINES AND GUARDS (M1059A3 ONLY).....	0765 00
REPLACE SMOKE GENERATOR ADAPTER ACCESS PLATE AND GASKET (M1059A3 ONLY).....	0766 00
REPLACE SMOKE GENERATOR COMPRESSOR RESERVOIR TO ADAPTER ACCESS PLATE AIR HOSE (M1059A3 ONLY).....	0767 00
REPLACE SMOKE GENERATOR ADAPTER ACCESS PLATE TO COVER ASSEMBLY AIR HOSE (M1059A3 ONLY).....	0768 00

TABLE OF CONTENTS (cont)

	<u>WP Sequence No.</u>
REPLACE FOG OIL TANK QUICK DISCONNECT TO ADAPTER ACCESS PLATE HOSE (M1059A3 ONLY).....	0769 00
REPLACE COVER ASSEMBLY FOG OIL QUICK DISCONNECT TO ADAPTER ACCESS PLATE HOSE (M1059A3 ONLY).....	0770 00
REPLACE SMOKE GENERATOR ARMOR (M1059A3 ONLY).....	0771 00
REPLACE SMOKE GENERATOR GLOW PLUG CABLE ASSEMBLIES (M1059A3 ONLY).....	0772 00
REPLACE/REPAIR SMOKE GENERATOR FUEL FILTER/WATER SEPARATOR (M1059A3 ONLY).....	0773 00
REPLACE M14 AIR PURIFIER AND FRAME (M113A3 ONLY).....	0774 00
REPLACE NBC AIR PURIFIER AND FRAME (M113A3 ONLY).....	0775 00
REPLACE M8A3/M13 AIR PURIFIER AND FRAME (M577A3 ONLY).....	0776 00
REPLACE M8A3 NBC AIR PURIFIER AND FRAME (M1059A3 ONLY).....	0777 00
REPLACE M8A3 AIR PURIFIER AND FRAME (M1059A3 ONLY).....	0778 00
REPLACE M13 AIR PURIFIER AND FRAME (M1068A3 ONLY).....	0779 00
REPLACE M8A3/M14 ORIFICE CONNECTOR ASSEMBLY, SUPPORT, AND QUICK COUPLING HALF (M113A3, M1059A3, AND M577A3 ONLY).....	0780 00
REPLACE M13 ORIFICE CONNECTOR ASSEMBLY, BRACKET, AND QUICK COUPLING HALF (M1068A3 ONLY).....	0781 00
REPLACE M3 NBC HEATER HOSES AND FITTINGS (M113A3 ONLY).....	0782 00
REPLACE M14 NBC HOSES AND BRACKETS (M113A3 AMBULANCE ONLY).....	0783 00
REPLACE M3 NBC HEATER HOSES AND FITTINGS (M113A3 AMBULANCE ONLY).....	0784 00
REPLACE M8A3 NBC HOSES AND BRACKETS (M577A3 ONLY).....	0785 00
REPLACE M13 NBC FILTERS AND HOSES (M577A3 ONLY).....	0786 00
REPLACE M8A3 NBC HOSES AND BRACKETS (M1059A3 ONLY).....	0787 00
REPLACE M3 NBC HOSES AND FITTINGS (M1059A3 ONLY).....	0788 00
REPLACE M13 NBC FILTERS AND HOSES (M1068A3 ONLY).....	0789 00
REPLACE M13 NBC HEATER HOSES (M1068A3 ONLY).....	0790 00
REPLACE M3 NBC HEATER CONTROL BOX, REGULATOR, AND BRACKET (M113A3 ONLY).....	0791 00
REPLACE M3 NBC HEATER CONTROL BOX (M577A3 ONLY).....	0792 00
REPLACE M3 NBC HEATER CONTROL BOX (M1068A3 ONLY).....	0793 00
REPLACE M3 NBC HEATERS AND CONTROLLERS (M113A3 ONLY).....	0794 00
REPLACE M3 NBC HEATERS AND CONTROLLERS (M113A3 AMBULANCES ONLY).....	0795 00
REPLACE M13 NBC HEATERS AND MOUNTS (M577A3 ONLY).....	0796 00
REPLACE M3 NBC HEATERS AND CONTROLLERS (M1059A3 ONLY).....	0797 00
REPLACE M13 NBC HEATERS (M1068A3 ONLY).....	0798 00
REPLACE M14 NBC CABLES AND SWITCH ASSEMBLY (M1059A3 ONLY).....	0799 00
REPLACE NBC CABLE TO HEATERS, AIR PURIFIER, AND SWITCH ASSEMBLY (M113A3 ONLY).....	0800 00
REPLACE M8A3 NBC CABLES, SWITCH ASSEMBLY, AND BRACKETS (M577A3 ONLY).....	0801 00

TABLE OF CONTENTS (cont)

WP Sequence No.

REPLACE NBC FILTER SWITCH ASSEMBLY (M113A3 AND M113A3 AMBULANCE ONLY).....	0802 00
REPLACE M13 NBC FILTER SWITCH AND MOUNT BRACKET (M577A3 ONLY).....	0803 00
REPLACE M8A3/M3 NBC FILTER SWITCH ASSEMBLY (M1059A3 ONLY).....	0804 00
REPLACE M13 NBC FILTER SWITCH (M1068A3 ONLY).....	0805 00
REPLACE M3 NBC HEATER WIRING HARNESS (M1059A3 ONLY).....	0806 00
REPLACE M14 NBC HEATER WIRING HARNESS (M113A3 AMBULANCE ONLY).....	0807 00
REPLACE M13 NBC HEATER WIRING HARNESS (M577A3 ONLY).....	0808 00
REPLACE M13 NBC HEATER WIRING HARNESS (M1068A3 ONLY).....	0809 00
REPLACE WATER/RATION HEATER POWER CABLE (M113A3 ONLY).....	0810 00
REPLACE WATER/RATION HEATER MOUNT BRACKET (M113A3 ONLY).....	0811 00
■ INSTALL TOW PINTLE EXTENDER KIT (M113A3 ONLY).....	0811 01
■ REPAIR TOW PINTLE EXTENDER ASSEMBLY (M113A3 ONLY).....	0811 02
 CHAPTER 23 — UNIT MAINTENANCE INSTRUCTIONS FOR SIGHTING MATERIEL (M901A3 AND M981A3 ONLY)	
SIGHTING MATERIEL (M901A3 AND M981A3).....	0812 00

Volume 6

CHAPTER 24 — UNIT MAINTENANCE INSTRUCTIONS FOR ELECTRICAL EQUIPMENT
(M1068A3 ONLY)

REPLACE APIU RACK MOUNT AND BRACKET (M1068A3 ONLY).....	0813 00
REPLACE RIGHT EQUIPMENT RACK BRACKETS AND MOUNTS (M1068A3 ONLY).....	0814 00
REPLACE A.C. POWER EXTENSION BOX A7 (M1068A3 ONLY).....	0815 00
REPLACE SIGNAL PATCH PANEL BOX A10 (M1068A3 ONLY).....	0816 00
REPLACE EXTERNAL COMMUNICATION BOX A11 (M1068A3 ONLY).....	0817 00
REPLACE EXTERNAL COMMUNICATION BOX A11 LID AND LATCHES (M1068A3 ONLY).....	0818 00
REPLACE CURBSIDE DATA PANEL ASSEMBLY A12 (M1068A3 ONLY).....	0819 00
REPLACE LAN GROUND BOX ASSEMBLY A15 (M1068A3 ONLY).....	0820 00
REPAIR LAN GROUND BOX ASSEMBLY A15 (M1068A3 ONLY).....	0821 00
REPLACE A.C. POWER EXTENSION BOX A19 (M1068A3 ONLY).....	0822 00
REPLACE/REPAIR PRINTER MOUNT (M1068A3 ONLY).....	0823 00
REPLACE/REPAIR POWER SUPPLY STORAGE BOX ASSEMBLY (M1068A3 ONLY).....	0824 00
REPLACE FLUORESCENT LIGHT ASSEMBLIES (M1068A3 ONLY).....	0825 00
REPLACE POWER CONTROL ENCLOSURE ASSEMBLY A1 (M1068A3 ONLY).....	0826 00
REPLACE POWER CONTROL ENCLOSURE AC AND DC METERS AND LIGHT INDICATORS (M1068A3 ONLY).....	0827 00
REPAIR POWER CONTROL ENCLOSURE FACEPLATE AND BRACKET (M1068A3 ONLY).....	0828 00
REPLACE POWER CONTROL ENCLOSURE CIRCUIT 44A LEAD (M1068A3 ONLY).....	0829 00

TABLE OF CONTENTS (cont)

WP Sequence No.

REPLACE INVERTER HOUSING A2 TERMINAL BLOCKS TB1 AND TB2 (M1068A3 ONLY).....	0830 00
REPLACE/REPAIR POWER DISTRIBUTION BOX A3 (M1068A3 ONLY).....	0831 00
REPLACE POWER ENTRY BOX ASSEMBLY A4 (M1068A3 ONLY).....	0832 00
REPLACE TENT INTERFACE PANEL BOX ASSEMBLY A5 (M1068A3 ONLY).....	0833 00
REPLACE AC POWER EXTENSION BOX A6 AND DC POWER EXTENSION BOX A9 AND MOUNT (M1068A3 ONLY).....	0834 00
REPLACE ROADSIDE DATA PANEL ASSEMBLY A13 AND BRACKET (M1068A3 ONLY).....	0835 00
REPLACE POWER EXTENSION BOX A18 AND BRACKET (M1068A3 ONLY).....	0836 00
REPLACE POWER DISTRIBUTION CABLE (W3) (M1068A3 ONLY).....	0837 00
REPLACE DC BATTERY CABLE (W4) (M1068A3 ONLY).....	0838 00
REPLACE/REPAIR INVERTER AC CABLE (W5) (M1068A3 ONLY).....	0839 00
REPLACE INVERTER DC CABLE (W6) (M1068A3 ONLY).....	0840 00
REPAIR CABLE ASSEMBLY (W4/W6) (M1068A3 ONLY).....	0841 00
REPLACE AC POWER EXTENSION CABLE (W7) (M1068A3 ONLY).....	0842 00
REPLACE AC POWER EXTENSION CABLE (W8) (M1068A3 ONLY).....	0843 00
REPLACE DC POWER EXTENSION CABLE (W10) (M1068A3 ONLY).....	0844 00
REPLACE AC LIGHT CABLE (W11) (M1068A3 ONLY).....	0845 00
REPLACE GROUND STRAP (W12) (M1068A3 ONLY).....	0846 00
REPLACE CASCADE REMOTE HARNESS (M1068A3 ONLY).....	0847 00
REPLACE HARNESS W32 (M1068A3 ONLY).....	0848 00
REPLACE CABLE W35, CABLE W28, AND CABLE ADAPTER (M1068A3 ONLY).....	0849 00
REPLACE CABLE W38, CABLE W29, AND CABLE ADAPTER (M1068A3 ONLY).....	0850 00
REPLACE SINGLE POINT LAN CABLE (W40) (M1068A3 ONLY).....	0851 00
REPLACE CABLES W42, W43, AND W251 (M1068A3 ONLY).....	0852 00
REPLACE CABLE W45 (M1068A3 ONLY).....	0853 00
REPLACE LAN A OR B CABLE (W103/W104) (M1068A3 ONLY).....	0854 00
REPLACE CABLE W124 (M1068A3 ONLY).....	0855 00
REPLACE CABLE W126 (M1068A3 ONLY).....	0856 00
REPLACE AC CABLE ASSEMBLY (W252) (M1068A3 ONLY).....	0857 00
 CHAPTER 25 — UNIT MAINTENANCE INSTRUCTIONS FOR GAUGES	
SERVICE SPEEDOMETER/TACHOMETER CABLE FLEXIBLE CORE.....	0858 00
REPLACE SPEEDOMETER.....	0859 00
REPLACE SPEEDOMETER CABLE AND ADAPTER.....	0860 00
REPAIR SPEEDOMETER CABLE.....	0861 00
REPLACE TACHOMETER.....	0862 00
REPLACE TACHOMETER ENGINE ADAPTER.....	0863 00
REPLACE TACHOMETER CABLE.....	0864 00
REPAIR TACHOMETER CABLE.....	0865 00
 CHAPTER 26 — UNIT MAINTENANCE INSTRUCTIONS FOR VENTILATING FANS AND BLOWERS (M901A3 AND M981A3 ONLY)	

TABLE OF CONTENTS (cont)

WP Sequence No.

REPLACE VENTILATING FAN ASSEMBLY (M901A3 AND M981A3 ONLY).....	0866 00
■ REPLACE DVE SENSOR SET ASSEMBLY POWER CABLE (M58 ONLY).....	0866 01
■ REPLACE DRIVER'S DISPLAY MOUNTING BRACKET (DVE) (M58 ONLY).....	0866 02
■ REPLACE AN/VAS-5 DRIVER'S VISION ENHANCER STOWAGE BRACKET (M58 ONLY).....	0866 03
■ REPLACE DRIVER'S VISION ENHANCER (DVE) AN/VAS-5 POWER SUPPLY CABLE (M58 ONLY).....	0866 04
■ REPLACE AN/VAS-5 DRIVER'S NIGHT VISION ENHANCER SENSOR SET ASSEMBLY ADAPTER (DVE) (M58 ONLY).....	0866 05
■ REPLACE COMMANDER'S DISPLAY MOUNTING BRACKET (DVE) (M58 ONLY)	0866 06

CHAPTER 27 — UNIT MAINTENANCE INSTRUCTIONS FOR PRECISION INSTRUMENTS AND SYSTEMS

REPLACE STE/ICE PULSE TACHOMETER.....	0867 00
REPLACE STE/ICE SHUNT GUARD (M113A3, M901A3, AND M1059A3 ONLY).....	0868 00
REPLACE STE/ICE SHUNT GUARD (M981A3 ONLY).....	0869 00
REPLACE STE/ICE SHUNT (M113A3, M901A3, AND M1059A3 ONLY).....	0870 00
REPLACE STE/ICE SHUNT (M577A3 AND M1068A3 ONLY).....	0871 00
REPLACE STE/ICE SHUNT (M981A3 ONLY).....	0872 00
REPLACE STE/ICE SHUNT (M1064A3 ONLY).....	0873 00
REPLACE STE/ICE DISTRIBUTION BOX (M113A3, M901A3, AND M1059A3 ONLY).....	0874 00
REPLACE STE/ICE DISTRIBUTION BOX (M577A3 AND M1068A3 ONLY).....	0875 00
REPLACE STE/ICE DISTRIBUTION BOX (M981A3 ONLY).....	0876 00
REPLACE STE/ICE DISTRIBUTION BOX (M1064A3 ONLY).....	0877 00
REPLACE STE/ICE CREW WIRING HARNESS (M113A3, M901A3, AND M1059A3 ONLY).....	0878 00
REPLACE STE/ICE CREW WIRING HARNESS (M577A3 AND M1068A3 ONLY).....	0879 00
REPLACE STE/ICE CREW WIRING HARNESS (M981A3 ONLY).....	0880 00
REPLACE STE/ICE CREW WIRING HARNESS (M1064A3 ONLY).....	0881 00
REPLACE STE/ICE ENGINE WIRING HARNESS.....	0882 00

CHAPTER 28 — UNIT MAINTENANCE INSTRUCTIONS FOR COMMUNICATION SYSTEM (M901A3 AND M58 ONLY)

COMMUNICATION CABLING DIAGRAM (M901A3 ONLY).....	0883 00
COMMUNICATION CABLING DIAGRAM (M58 ONLY).....	0884 00
REPLACE INTERCOMMUNICATIONS SET CONTROL (M901A3 AND M58 ONLY).....	0885 00
REPLACE ANTENNA (M901A3 ONLY).....	0886 00
REPLACE AS3916/VRC ANTENNA (M58 ONLY).....	0887 00
REPLACE INTERCOM AMPLIFIER (M901A3 AND M58 ONLY).....	0888 00
REPLACE TRANSIENT SUPPRESSOR (M901A3 ONLY).....	0889 00
REPLACE RADIO SET AND MOUNT (M901A3 ONLY)	0890 00
REPLACE RADIO RACK (M58 ONLY).....	0891 00

TABLE OF CONTENTS (cont)

	<u>WP Sequence No.</u>
REPLACE DRIVER’S INTERCOMMUNICATION SET CABLE (M58 ONLY).....	0892 00
REPLACE COMMANDER’S INTERCOMMUNICATION SET CABLE (M58 ONLY)	0893 00
REPLACE OPERATOR’S INTERCOMMUNICATION SET CABLE (M58 ONLY).....	0894 00
 CHAPTER 29 — UNIT MAINTENANCE INSTRUCTIONS FOR FIRE FIGHTING EQUIPMENT	
REPLACE PORTABLE FIRE EXTINGUISHER MOUNT (ALL EXCEPT M1068A3).....	0895 00
REPLACE FIRE EXTINGUISHER AND MOUNT (M1059A3 ONLY).....	0896 00
REPLACE/REPAIR PORTABLE FIRE EXTINGUISHER MOUNT (M1068A3 ONLY).....	0897 00
REPLACE FIXED FIRE EXTINGUISHER CYLINDER AND MOUNT	0898 00
REPLACE CYLINDER DISCHARGE TUBES	0899 00
REPLACE TURBINE CYLINDER DISCHARGE TUBES (M58 ONLY).....	0900 00
REPLACE EXTERNAL HANDLE SHIELD (M113A3, M901A3, M981A3, AND M1059A3 ONLY).....	0901 00
REPLACE EXTERNAL HANDLE SHIELD (M577A3 AND M1068A3 ONLY)	0902 00
REPLACE EXTERNAL HANDLE SHIELD (M1064A3 ONLY)	0903 00
REPLACE FIRE EXTINGUISHER CONTROL VALVE AND EXTERNAL HANDLE	0904 00
REPLACE EXTERNAL CABLE TUBE.....	0905 00
 CHAPTER 30 — UNIT MAINTENANCE INSTRUCTIONS FOR NUCLEAR, BIOLOGICAL, AND CHEMICAL (NBC) EQUIPMENT	
REPLACE M25/M25A1 VFM GAS FILTER (M981A3 ONLY).....	0906 00
REPLACE M25/M25A1 HOSE ASSEMBLY (M981A3 ONLY)	0907 00
REPLACE M25/M25A1 VFM ORIFICE CONNECTOR ASSEMBLY (M981A3 ONLY)	0908 00
REPLACE PRECLEANER/PARTICULATE FILTER ASSEMBLY (M981A3 ONLY)	0909 00
REPLACE VFM COUPLING (M981A3 ONLY).....	0910 00
REPLACE M25/M25A1 VFM HEATER (M981A3 ONLY).....	0911 00
REPLACE M25/M25A1 VFM HEATER BRACKETS (M981A3 ONLY).....	0912 00
REPLACE/REPAIR VFM POWER DISTRIBUTION PANEL ASSEMBLY (M981A3 ONLY).....	0913 00
REPLACE NBC AIR PURIFIER AND FRAME (M58 ONLY).....	0914 00
REMOVE/INSTALL NBC HOSE ASSEMBLIES (M58 ONLY)	0915 00
REPLACE NBC ORIFICE CONNECTOR ASSEMBLY, MOUNTING BRACKET, AND SWITCH (M58 ONL).....	0916 00
REMOVE/INSTALL NBC CABLE ASSEMBLY (M58 ONLY).....	0917 00
INSTALL/REMOVE CHEMICAL AGENT AUTOMATIC ALARM KIT (M113A3 ONLY).....	0918 00
REPLACE CHEMICAL ALARM JUNCTION BOX/POWER CABLE/ALARM CABLE (M113A3 ONLY)	0919 00
REPAIR CHEMICAL ALARM JUNCTION BOX (M113A3 ONLY)	0920 00
REPLACE/REPAIR CHEMICAL ALARM SPARE BATTERY BRACKET (M113A3 ONLY).....	0921 00
REPLACE CHEMICAL ALARM REFILL TRAY BRACKET (M113A3 ONLY).....	0922 00
REPLACE CHEMICAL ALARM M43 UNIT INTERFACE WIRING HARNESSSES (M113A3 ONLY).....	0923 00
 CHAPTER 31 — UNIT SUPPORTING INFORMATION	
REFERENCES.....	0924 00
MAINTENANCE ALLOCATION CHART (MAC).....	0925 00
COMMON TOOLS AND SUPPLEMENTS AND SPECIAL TOOLS/FIXTURES LIST	0926 00
FABRICATED TOOLS.....	0927 00
EXPENDABLE/DURABLE SUPPLIES AND MATERIALS LIST	0928 00

TABLE OF CONTENTS (cont)

	<u>WP Sequence No.</u>
M113A3 ELECTRICAL SCHEMATIC.....	FP-1
M577A3/M1068A3 ELECTRICAL SCHEMATIC	FP-15
M901A3 ELECTRICAL SCHEMATIC.....	FP-31
M981A3 ELECTRICAL SCHEMATIC.....	FP-47
M1059A3 ELECTRICAL SCHEMATIC.....	FP-63
M1064A3 ELECTRICAL SCHEMATIC.....	FP-77
M58 ELECTRICAL SCHEMATIC	FP-91
M1068A3 SCIPS ELECTRICAL EQUIPMENT SCHEMATIC.....	FP-107
M1068A3 SICPS POWER CONTROL ENCLOSURE A1 SCHEMATIC	FP-113
STE/ICE SCHEMATIC.....	FP-117
M113A3 NBC INSTALLATION WIRING DIAGRAM.....	FP-121

CHAPTER 18

UNIT MAINTENANCE INSTRUCTIONS
FOR HULL ACCESSORY ITEMS

WORK PACKAGE INDEX

<u>Title</u>	<u>Sequence No.</u>
REPLACE TENT AND TENT CLAMPS (M577A3 ONLY).....	0627 00
REPLACE TENT AND FRAME MOUNTS (M577A3 ONLY).....	0628 00
REPLACE BLACKOUT CURTAIN AND FRAME (M577A3 AND M1068A3 ONLY).....	0629 00
REPLACE/REPAIR DRIVER'S LEVEL INDICATOR (M901A3 AND M981A3 ONLY).....	0630 00
REPLACE FRONT BILGE PUMP PIPES.....	0631 00
REPLACE FRONT BILGE PUMP AND STRAINER.....	0632 00
REPLACE FRONT BILGE VALVE.....	0633 00
REPLACE REAR BILGE PUMP PIPES.....	0634 00
REPLACE REAR BILGE PUMP AND STRAINER.....	0635 00
STENCILS (M113A3 ONLY).....	0636 00
STENCILS (M577A3 ONLY).....	0637 00
STENCILS (M901A3 ONLY).....	0638 00
STENCILS (M981A3 ONLY).....	0639 00
STENCILS (M1059A3 ONLY).....	0640 00
STENCILS (M1064A3 ONLY).....	0641 00
STENCILS (M1068A3 ONLY).....	0642 00
STENCILS (M58 ONLY).....	0643 00
DATAPLATES, DECALS, AND MARKERS (ALL MODELS).....	0644 00
DATAPLATES, DECALS, AND MARKERS (M113A3, M901A3, M981A3, M1059A3 ONLY).....	0645 00
DATAPLATES, DECALS, AND MARKERS (M113A3, M901A3, M1059A3, M58 ONLY).....	0646 00
DATAPLATES, DECALS, AND MARKERS (M113A3, M1059A3 ONLY).....	0647 00
DATAPLATES, DECALS, AND MARKERS (M577A3, M1068A3 ONLY).....	0648 00
DATAPLATES, DECALS, AND MARKERS (M901A3 ONLY).....	0649 00
DATAPLATES, DECALS, AND MARKERS (M981A3 ONLY).....	0650 00
DATAPLATES, DECALS, AND MARKERS (M1059A3 ONLY).....	0651 00
DATAPLATES, DECALS, AND MARKERS (M1064A3 ONLY).....	0652 00
DATAPLATES, DECALS, AND MARKERS (M58 ONLY).....	0653 00
REPLACE DATAPLATES, STENCILS, MARKERS, AND DECALS.....	0654 00

REPLACE TENT AND TENT CLAMPS (M577A3 ONLY)

0627 00

THIS WORK PACKAGE COVERS:

Removal (page 0627 00-1).
 Installation (page 0627 00-2).

INITIAL SETUP:

Maintenance Level

Unit

References

See your -10

Tools and Special Tools

General Mechanic's Tool Kit (WP 0926 00, Item 65)

Equipment Condition

Engine stopped (see your -10)

Materials/Parts

Spring Pin (6)

Carrier blocked (see your -10)

Ramp lowered (see your -10)

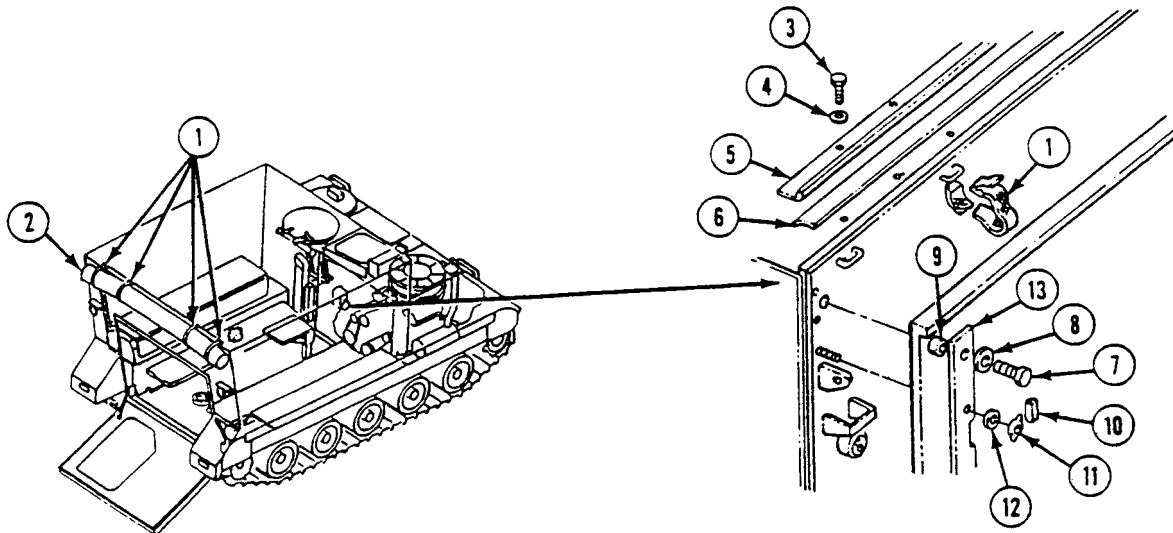
Personnel Required

Unit Mechanic

Helper

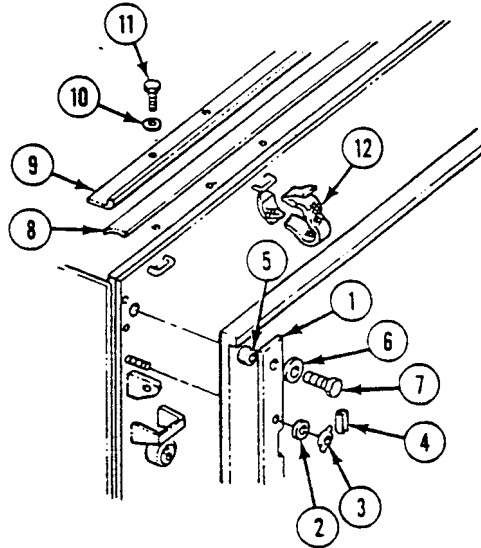
REMOVAL

1. Release four straps (1). Remove tent (2) and straps from hull top plate.
2. Remove nine screws (3), washers (4), retainer strip (5), and rubber strip (6) from hull top plate.
3. Remove two screws (7), washers (8), and spacers (9) from rear bulkhead.
4. Remove six spring pins (10), wing nuts (11), washers (12), and two retainer strips (13) from rear bulkhead. Discard spring pins.



INSTALLATION

1. Place two retainer strips (1) on rear bulkhead. Secure with six washers (2) and wing nuts (3). Secure wing nuts with six new spring pins (4).
2. Install two spacers (5), washers (6), and screws (7) in rear bulkhead.
3. Place rubber strip (8) and retainer strip (9) on hull top plate. Secure with nine washers (10) and screws (11).
4. Place tent on hull top plate. Secure with four straps (12).

**FOLLOW-THROUGH STEPS**

1. Start engine (see your -10).
2. Raise and lock ramp (see your -10).
3. Stop engine (see your -10).

END OF TASK

REPLACE TENT AND FRAME MOUNTS (M577A3 ONLY)

0628 00

THIS WORK PACKAGE COVERS:

Removal (page 0628 00-1).
 Installation (page 0628 00-3).

INITIAL SETUP:

Maintenance Level

Unit

Personnel Required

Unit Mechanic

Tools and Special Tools

General Mechanic's Tool Kit (WP 0926 00, Item 65)
 Torque wrench (WP 0926 00, Item 82)

References

See your -10

Materials/Parts

Cotter Pin (2)
 Locknut (4)

Equipment Condition

Engine stopped (see your -10)
 Carrier blocked (see your -10)
 Ramp lowered (see your -10)
 Tent frame removed from carrier (see your -10)

REMOVAL

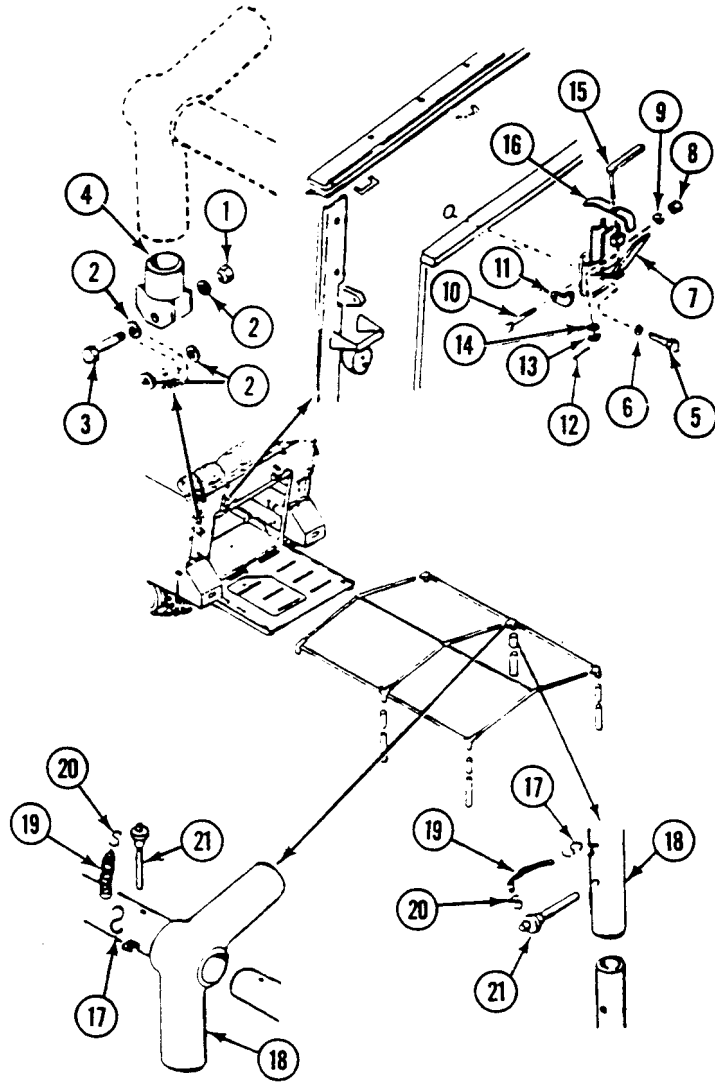
1. Remove two locknuts (1), eight washers (2), two screws (3), and two end fittings (4) from rear bulkhead lugs. Discard locknuts.
2. Remove four screws (5), washers (6), and two brackets (7) from rear bulkhead.
3. Remove two locknuts (8), washers (9), screws (10), and retainers (11) from brackets (7). Discard locknuts.
4. Remove two cotter pins (12), nuts (13), washers (14), hand screws (15), and clamps (16) from brackets (7). Discard cotter pins.

NOTE

There are six quick release pins and attaching chains on the frame assembly. Remove quick release pins and chains, as needed.

5. Open both ends of hook (17). Remove hook from bracket on frame (18) and from chain (19).

6. Open both ends of hook (20). Remove hook from chain (19) and quick release pin (21).

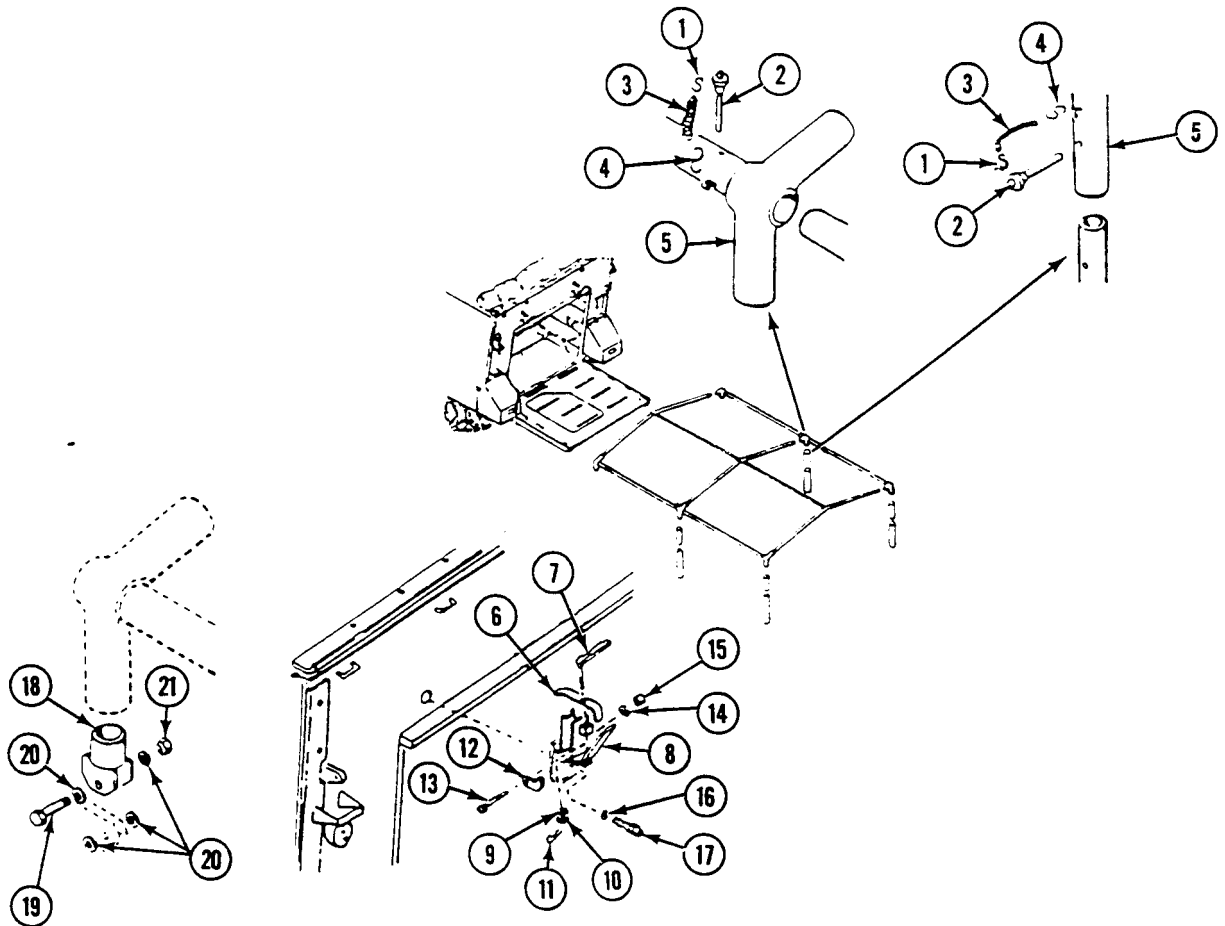


INSTALLATION

NOTE

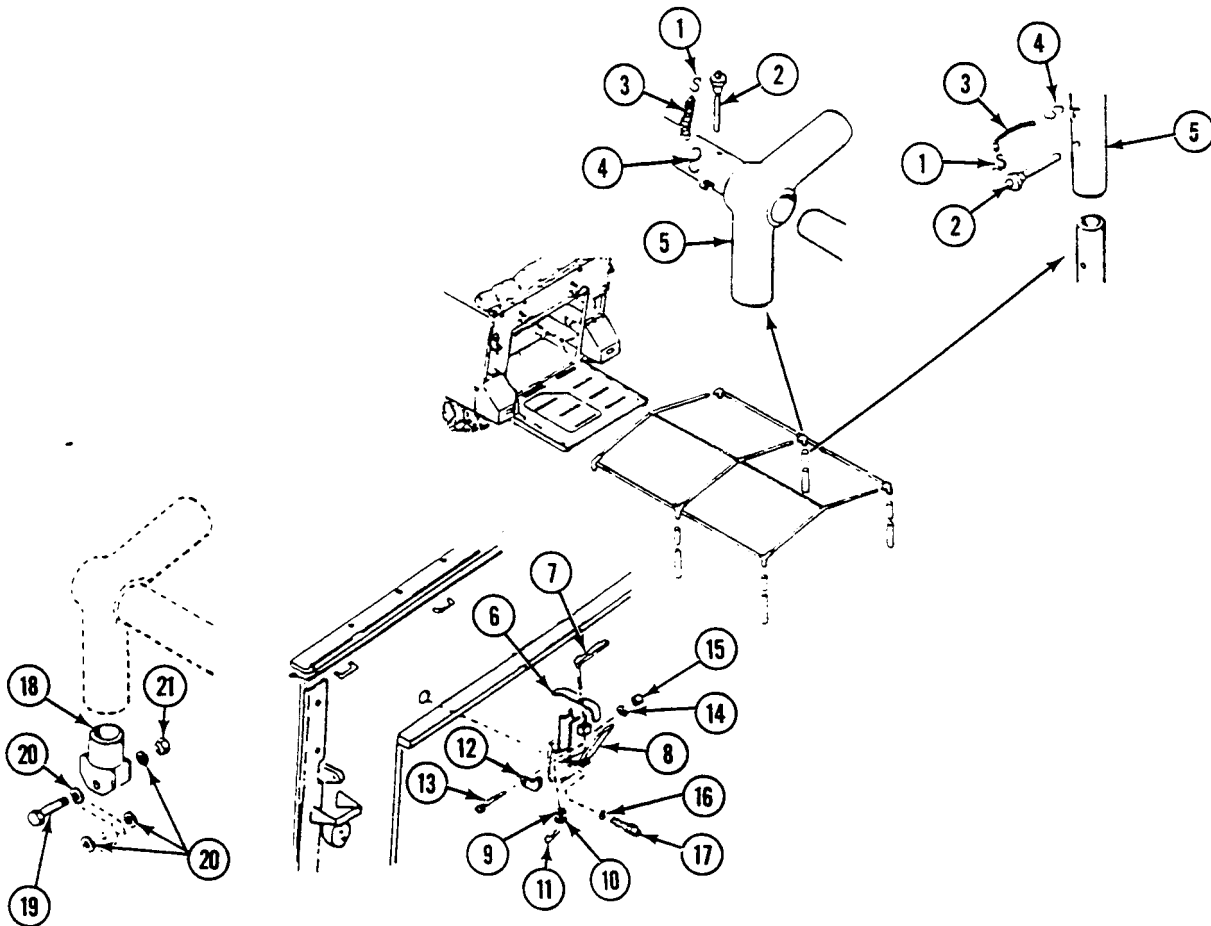
There are six quick release pins and attaching chains on the frame assembly. Install quick release pins and chains, as needed.

1. Install hook (1) on quick release pin (2) and chain (3). Squeeze both ends of hook to secure.
2. Install hook (4) on chain (3) and bracket on frame (5). Squeeze both ends of hook to secure.
3. Install two clamps (6) and hand screws (7) on brackets (8). Secure with two washers (9), nuts (10), and new cotter pins (11).
4. Install two retainers (12) on brackets (8). Secure with two screws (13), washers (14), and new locknuts (15).



REPLACE TENT AND FRAME MOUNTS (M577A3 ONLY) — Continued**0628 00**

5. Align two brackets (8) on rear bulkhead. Secure with four washers (16) and screws (17). TIGHTEN SCREWS TO 60-65 LB-FT (81-88 N·m) TORQUE.
6. Align two end fittings (18) with rear bulkhead lugs. Secure with two screws (19), eight washers (20), and two new locknuts (21).

**FOLLOW-THROUGH STEPS**

1. Install tent frame on carrier (see your -10).
2. Start engine (see your -10).
3. Raise and lock ramp (see your -10).
4. Stop engine (see your -10).

END OF TASK

REPLACE BLACKOUT CURTAIN AND FRAME (M577A3 AND M1068A3 ONLY)

0629 00

THIS WORK PACKAGE COVERS:

Removal (page 0629 00-1).
 Installation (page 0629 00-2).

INITIAL SETUP:

Maintenance Level

Unit

Personnel Required

Unit Mechanic

Tools and Special Tools

General Mechanic's Tool Kit (WP 0926 00, Item 65)

References

See your -10

Materials/Parts

Grommet
 Locknut
 Locknut (2)
 Locknut (6)

Equipment Condition

Engine stopped (see your -10)
 Carrier blocked (see your -10)
 Ramp lowered (see your -10)

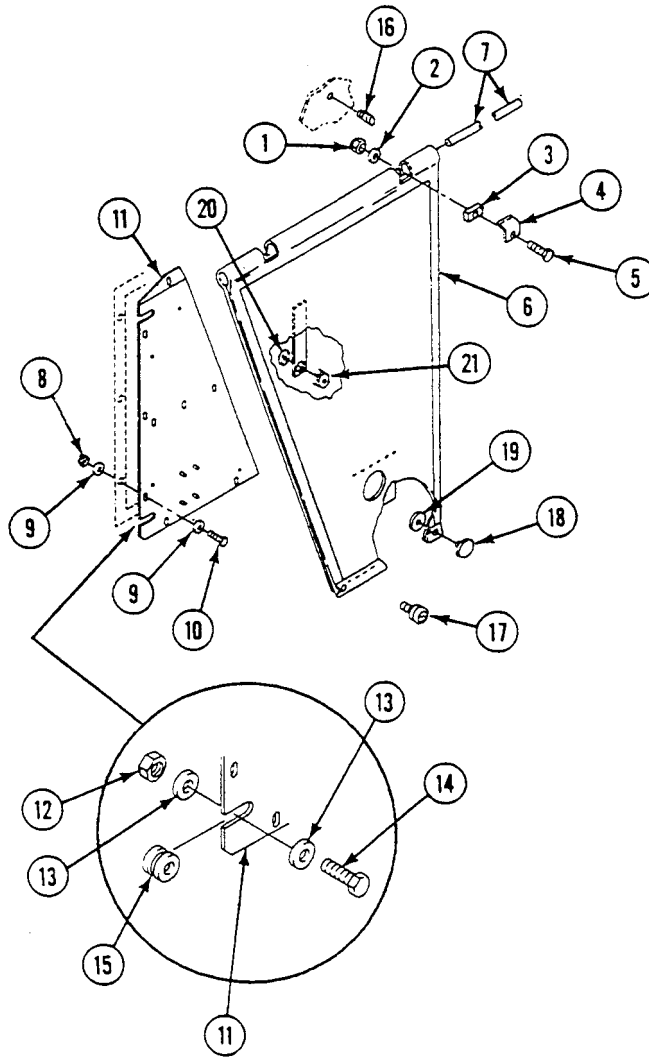
REMOVAL

1. Remove two locknuts (1), washers (2), blocks (3), clips (4), screws (5), and blackout curtain (6) from driver's compartment opening. Discard locknuts.
2. Remove rod (7) from curtain (6).
3. Remove six locknuts (8), twelve washers (9), six screws (10), and frame (11) from bulkhead and sponson. Discard locknuts.
4. Remove locknut (12), two washers (13), screw (14), and grommet (15) from frame (11). Discard grommet and locknut.
5. If damaged, remove two fasteners (16) from driver's compartment rear bulkhead.
6. Remove two studs (17) from lower frame and traverse beam in driver's compartment.
7. If needed, remove four buttons (18) and sockets (19) from curtain (6).

REPLACE BLACKOUT CURTAIN AND FRAME (M577A3 AND M1068A3 ONLY) —
Continued

0629 00

8. If needed, remove two eyelets (20) and washers (21) from curtain (6).


INSTALLATION

1. If removed, place two eyelets (1) on curtain (2). Secure with two washers (3).
2. If removed, place four buttons (4) on curtain (2). Secure with four sockets (5).
3. Install two studs (6) on lower frame and traverse beam in driver's compartment.
4. If removed, install two fasteners (7) on rear bulkhead in driver's compartment.
5. Install new grommet (8), screw (9), two washers (10), and new locknut (11) on frame (12).
6. Align frame (12) with bulkhead and sponson. Secure with six screws (13), twelve washers (14), and six new locknuts (15).
7. Install rod (16) in curtain (2).