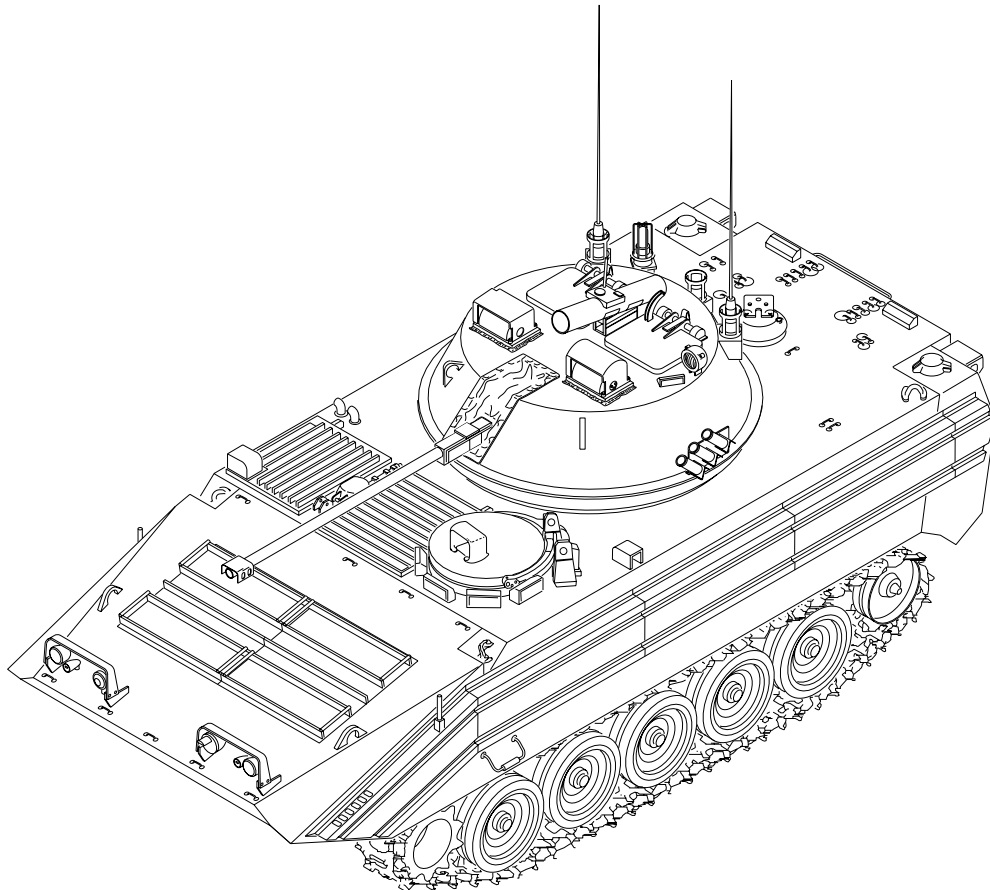


TECHNICAL MANUAL

UNIT MAINTENANCE MANUAL

FOR
OPPOSING FORCES SURROGATE VEHICLE (OSV)
M113A3/BMP-2
6920-01-420-4716 (EIC AUK)
HULL



DISTRIBUTION STATEMENT A — Approved for public release; distribution is unlimited.

HEADQUARTERS, DEPARTMENT OF THE ARMY

26 July 2001

HEADQUARTERS
DEPARTMENT OF THE ARMY
WASHINGTON, D.C., 26 JULY 2001

TECHNICAL MANUAL

UNIT MAINTENANCE MANUAL

OPPOSING FORCES SURROGATE VEHICLE (OSV)M113A3/BMP-2
NSN 6920-01-420-4716
(EIC AUK)
HULL

REPORTING ERRORS AND RECOMMENDING IMPROVEMENTS

You can help improve this publication. If you find any mistakes or if you know of a way to improve the procedures, please let us know. Submit your DA Form 2028 (Recommended Changes to Publications and Blank Forms), through the Internet, on the Army Electronic Product Support (AEPS) website. The Internet address is <http://aeprs.ria.army.mil>. If you need a password, scroll down and click on "ACCESS REQUEST FORM". The DA Form 2028 is located in the ONLINE FORMS PROCESSING section of the AEPS. Fill out the form and click on SUBMIT. Using this form on the AEPS will enable us to respond quicker to your comments and better manage the DA Form 2028 program. You may also mail, fax, or E-mail your letter or DA Form 2028 directly to: AMSTA-LC-CI/TECH PUBS, TACOM-RI, 1 Rock Island Arsenal, Rock Island, IL 61299-7630. The E-mail address is TACOM-TECH-PUBS@ria.army.mil. The fax number is DSN 793-0726 or Commercial (309) 782-0726.

DISTRIBUTION STATEMENT A — Approved for public release; distribution is unlimited.

TABLE OF CONTENTS

WP Sequence No.

Volume 1

WARNING SUMMARY

HOW TO USE THIS MANUAL

CHAPTER 1 — UNIT INTRODUCTORY INFORMATION WITH THEORY OF OPERATION

| | |
|---|---------|
| GENERAL INFORMATION..... | 0001 00 |
| EQUIPMENT DESCRIPTION AND DATA..... | 0002 00 |
| THEORY OF OPERATION..... | 0003 00 |
| REPAIR PARTS, SPECIAL TOOLS, TMDE, AND SUPPORT EQUIPMENT..... | 0004 00 |

CHAPTER 2 — UNIT TROUBLESHOOTING PROCEDURES

| | |
|--------------------------------------|---------|
| INTRODUCTION TO TROUBLESHOOTING..... | 0005 00 |
| MALFUNCTION/SYMPATOM INDEX WP..... | 0006 00 |
| ENGINE OVERHEATS..... | 0007 00 |

TABLE OF CONTENTS (cont)

| | <u>WP Sequence No.</u> |
|--|------------------------|
| ENGINE DOESN'T CRANK..... | 0008 00 |
| ENGINE DOES NOT START (COLD WEATHER ONLY)..... | 0009 00 |
| WAIT INDICATOR FLASHES DURING START ATTEMPTS (PREGLOW OR AFTERGLOW)..... | 0010 00 |
| WAIT INDICATOR LIGHT DOESN'T LIGHT..... | 0011 00 |
| ENGINE CRANKS SLOWLY..... | 0012 00 |
| ENGINE CRANKS BUT WILL NOT START..... | 0013 00 |
| ENGINE CRANKS BUT WON'T START BELOW 40°F (GLOW PLUGS ARE USED)..... | 0014 00 |
| ENGINE RUNS ROUGH, STALLS, OR DOES NOT PUT OUT FULL POWER..... | 0015 00 |
| GENERATOR MALFUNCTIONS AS INDICATED BY BATTERY/GENERATOR INDICATOR..... | 0016 00 |
| ENGINE OIL LOW PRESSURE INDICATOR COMES ON..... | 0017 00 |
| ENGINE OPERATES AT LESS THAN NORMAL TEMPERATURE..... | 0018 00 |
| ENGINE CHARGING SYSTEM SCHEMATIC..... | 0019 00 |
| ENGINE FUEL SYSTEM SCHEMATIC..... | 0020 00 |
| ENGINE STARTER CIRCUIT SCHEMATIC..... | 0021 00 |
| NO POWER TO TURRET..... | 0022 00 |
| NO EXTERIOR LIGHTS OPERATE..... | 0023 00 |
| BLACKOUT DRIVE LIGHT DOES NOT WORK..... | 0024 00 |
| SERVICE HEADLIGHTS DO NOT WORK..... | 0025 00 |
| SERVICE AND/OR BLACKOUT STOP LIGHTS MALFUNCTION..... | 0026 00 |
| BLACKOUT MARKER LIGHTS DO NOT WORK..... | 0027 00 |
| SERVICE TAILLIGHT(S) DO NOT WORK..... | 0028 00 |
| HORN DOES NOT WORK..... | 0029 00 |
| INSTRUMENT PANEL AND/OR TRANS CONTROLLER ILLUMINATION LIGHTS MALFUNCTION..... | 0030 00 |
| DOME LIGHT(S) DO NOT WORK..... | 0031 00 |
| ELECTRICAL INSTALLATION WIRING DIAGRAM..... | 0032 00 |
| MASTER SWITCH ON INDICATOR DOES NOT LIGHT..... | 0033 00 |
| FUEL LEVEL INDICATOR MALFUNCTIONS..... | 0034 00 |
| HIGH BEAM INDICATOR LIGHT DOES NOT WORK..... | 0035 00 |
| BATTERY/GENERATOR INDICATOR MALFUNCTIONS..... | 0036 00 |
| PARKING BRAKE INDICATOR MALFUNCTIONS..... | 0037 00 |
| COOLANT TEMP INDICATOR MALFUNCTIONS..... | 0038 00 |
| STEERING LOCKED INDICATOR MALFUNCTIONS..... | 0039 00 |
| ENGINE OIL LOW PRESSURE INDICATOR MALFUNCTIONS..... | 0040 00 |
| TRANSMISSION OIL LOW PRESSURE INDICATOR MALFUNCTIONS..... | 0041 00 |
| TRANS OIL HI TEMP INDICATOR MALFUNCTIONS..... | 0042 00 |
| ENGINE COOLANT LOW LEVEL INDICATOR MALFUNCTIONS..... | 0043 00 |
| TRANS FILTER CLOGGED INDICATOR MALFUNCTIONS..... | 0044 00 |
| INDICATORS SCHEMATIC..... | 0045 00 |
| DRIVER'S VENTILATION FAN DOES NOT BLOW AIR..... | 0046 00 |

TABLE OF CONTENTS (cont)

| | <u>WP Sequence No.</u> |
|---|------------------------|
| CREW VENTILATION FAN DOES NOT BLOW AIR..... | 0047 00 |
| VENTILATION FAN SCHEMATIC..... | 0048 00 |
| VEHICLE MOVES WITH TRANSMISSION IN SL..... | 0049 00 |
| VEHICLE DOES NOT MOVE IN ANY SHIFT LEVER POSITION..... | 0050 00 |
| VEHICLE DRIFTS OR DOES NOT STEER..... | 0051 00 |
| SERVICE AND/OR PARKING BRAKE WILL NOT HOLD VEHICLE..... | 0052 00 |
| TRANSMISSION WILL NOT UPSHIFT OR SHIFTS ERRATICALLY IN 1-4 POSITION..... | 0053 00 |
| TRANSMISSION DOES NOT DOWNSHIFT IN 1-4 POSITION..... | 0054 00 |
| TRANSMISSION DOES NOT HOLD 1ST POSITION..... | 0055 00 |
| TRANSMISSION DOES NOT HOLD 2ND POSITION..... | 0056 00 |
| TRANSMISSION DOES NOT HOLD 3RD POSITION..... | 0057 00 |
| TRANSMISSION DOES NOT REVERSE..... | 0058 00 |
| TRANSMISSION DOES NOT PIVOT STEER..... | 0059 00 |
| TRANSMISSION HIGH TEMP INDICATOR COMES ON..... | 0060 00 |
| TRANSMISSION OIL LOW PRESSURE INDICATOR COMES ON..... | 0061 00 |
| TRANSMISSION SYSTEM SCHEMATIC..... | 0062 00 |
| STEERING LOCK MALFUNCTIONS..... | 0063 00 |
| STEERING LOCK SCHEMATIC..... | 0064 00 |
| BILGE PUMP AND/OR LIGHT DON'T WORK..... | 0065 00 |
| BILGE PUMP SCHEMATIC..... | 0066 00 |
| PERSONNEL HEATER MALFUNCTIONS..... | 0067 00 |
| PERSONNEL HEATER SCHEMATIC..... | 0068 00 |
| SPEEDOMETER MALFUNCTIONS..... | 0069 00 |
| TACHOMETER MALFUNCTIONS..... | 0070 00 |
| HOOK UP/REMOVE STE/ICE TEST SET TO DCA 6..... | 0071 00 |
| STE/ICE TEST 10 ENGINE RPM..... | 0072 00 |
| STE/ICE TEST 24 FUEL SUPPLY PRESSURE..... | 0073 00 |
| STE/ICE TEST 25 FUEL RETURN PRESSURE..... | 0074 00 |
| STE/ICE TEST 32 AIR BOX PRESSURE..... | 0075 00 |
| STE/ICE TEST 67 BATTERY VOLTAGE..... | 0076 00 |
| STE/ICE TEST 68 STARTER MOTOR VOLTAGE..... | 0077 00 |
| STE/ICE TEST 69 STARTER NEGATIVE CABLE VOLTAGE DROP..... | 0078 00 |
| STE/ICE TEST 70 STARTER SOLENOID VOLTAGE..... | 0079 00 |
| STE/ICE TEST 71 STARTER CURRENT (AVERAGE)..... | 0080 00 |
| STE/ICE TEST 72 STARTER CURRENT (FIRST PEAK)..... | 0081 00 |
| STE/ICE TEST 73 BATTERY RESISTANCE AND STE/ICE TEST 75 BATTERY RESISTANCE CHANGE (PACK)..... | 0082 00 |
| STE/ICE TEST 74 STARTER CIRCUIT RESISTANCE..... | 0083 00 |
| STE/ICE TEST 80 BATTERY CURRENT..... | 0084 00 |
| STE/ICE TEST 82 GENERATOR OUTPUT VOLTAGE..... | 0085 00 |

TABLE OF CONTENTS (cont)

| | <u>WP Sequence No.</u> |
|--|------------------------|
| STE/ICE TEST 83 GENERATOR FIELD VOLTAGE..... | 0086 00 |
| STE/ICE TEST 84 GENERATOR NEGATIVE CABLE VOLTAGE DROP..... | 0087 00 |
| STE/ICE BLANK DISPLAY DIAGNOSTIC TROUBLESHOOTING..... | 0088 00 |
| STE/ICE CONFIDENCE TEST DIAGNOSTIC TROUBLESHOOTING..... | 0089 00 |
| STE/ICE TEST 10, 12 AND 13 DIAGNOSTIC TROUBLESHOOTING..... | 0090 00 |
| DCA BATTERY VOLTAGE DIAGNOSTIC TROUBLESHOOTING..... | 0091 00 |
| DCA CURRENT SHUNT DIAGNOSTIC TROUBLESHOOTING..... | 0092 00 |
| STE/ICE TEST 24 FUEL SUPPLY PRESSURE DIAGNOSTIC TROUBLESHOOTING..... | 0093 00 |
| STE/ICE TEST 25 FUEL RETURN PRESSURE DIAGNOSTIC TROUBLESHOOTING..... | 0094 00 |
| STE/ICE TEST 32 AIR BOX PRESSURE DIAGNOSTIC TROUBLESHOOTING..... | 0095 00 |
| STE/ICE TEST 68 STARTER MOTOR VOLTAGE DIAGNOSTIC TROUBLESHOOTING..... | 0096 00 |
| STE/ICE TEST 69 STARTER NEGATIVE CABLE VOLTAGE DROP DIAGNOSTIC TROUBLESHOOTING..... | 0097 00 |
| STE/ICE TEST 70 STARTER SOLENOID VOLTAGE DIAGNOSTIC TROUBLESHOOTING..... | 0098 00 |
| STE/ICE TEST 82 GENERATOR OUTPUT VOLTAGE DIAGNOSTIC TROUBLESHOOTING..... | 0099 00 |
| STE/ICE TEST 83 GENERATOR FIELD VOLTAGE DIAGNOSTIC TROUBLESHOOTING..... | 0100 00 |
| STE/ICE TEST 84 GENERATOR NEGATIVE CABLE VOLTAGE DROP DIAGNOSTIC TROUBLESHOOTING..... | 0101 00 |
| STE/ICE SCHEMATIC..... | 0102 00 |
| CHAPTER 3 — UNIT MAINTENANCE INSTRUCTIONS FOR VEHICLE HULL — GENERAL | |
| SERVICE UPON RECEIPT..... | 0103 00 |
| PREVENTIVE MAINTENANCE CHECKS AND SERVICES..... | 0104 00 |
| REPLACE DATAPLATES, STENCILS, MARKERS, AND DECALS..... | 0105 00 |
| CHAPTER 4 — UNIT MAINTENANCE INSTRUCTIONS FOR ENGINE | |
| REMOVE/INSTALL POWER PLANT ASSEMBLY..... | 0106 00 |
| BLOCK POWER PLANT..... | 0107 00 |
| REPLACE ENGINE MOUNTS..... | 0108 00 |
| REPLACE LEFT AIR BOX DRAIN CHECK VALVE AND TUBES..... | 0109 00 |
| REPLACE RIGHT AIR BOX DRAIN CHECK VALVE AND TUBES..... | 0110 00 |
| REPLACE ENGINE LIFTING BRACKET..... | 0111 00 |
| REPLACE ENGINE OIL FILLER CAP..... | 0112 00 |
| REPLACE ENGINE OIL SAMPLING VALVE AND HOSE..... | 0113 00 |
| REPLACE OIL GAUGE ROD AND TUBE..... | 0114 00 |
| REPLACE STARTER..... | 0115 00 |
| CHAPTER 5 — UNIT MAINTENANCE INSTRUCTIONS FOR FUEL SYSTEM | |
| REPLACE ENGINE FUEL PUMP..... | 0116 00 |

TABLE OF CONTENTS (cont)

| | <u>WP Sequence No.</u> |
|--|------------------------|
| REPLACE FUEL SUPPLY PRESSURE TRANSDUCER..... | 0117 00 |
| REPLACE FUEL RETURN PRESSURE TRANSDUCER..... | 0118 00 |
| REPLACE TURBO OUTLET PRESSURE TRANSDUCER..... | 0119 00 |
| REPLACE AIR BOX PRESSURE TRANSDUCER..... | 0120 00 |
| REPLACE FUEL FILTER DIFFERENTIAL PRESSURE SWITCH..... | 0121 00 |
| REPLACE AUXILIARY TANK FLUID LEVEL DETECTOR..... | 0122 00 |
| DRAIN TANKS..... | 0123 00 |
| REPLACE FUEL QUANTITY TRANSMITTER..... | 0124 00 |
| REPLACE FUEL SELECT SWITCH TO GAUGE LEAD..... | 0125 00 |
| REPLACE GLOW PLUG HARNESS AND GLOW PLUGS..... | 0126 00 |
| REPLACE GLOW PLUG CONTROLLER..... | 0127 00 |
| REPLACE GLOW PLUG POWER HARNESS..... | 0128 00 |
| REPLACE GLOW PLUG CONTROLLER MOUNTING BRACKET..... | 0129 00 |
| REPLACE ENGINE FUEL SUPPLY HOSE..... | 0130 00 |
| REPLACE ENGINE FUEL RETURN HOSE..... | 0131 00 |
| REPLACE PRIMARY AND SECONDARY FUEL FILTERS AND BRACKET..... | 0132 00 |
| REPLACE PRIMARY AND SECONDARY FUEL FILTER ELEMENTS..... | 0133 00 |
| REPLACE FUEL SUPPLY PRESSURE TRANSDUCER..... | 0134 00 |
| REPLACE FUEL RETURN PRESSURE TRANSDUCER..... | 0135 00 |
| REPLACE FUEL FILTER DIFFERENTIAL PRESSURE SWITCH..... | 0136 00 |
| REPLACE GOVERNOR ASSEMBLY..... | 0137 00 |
| CHAPTER 6 — UNIT MAINTENANCE INSTRUCTIONS FOR AIR CLEANER | |
| SERVICE AIR CLEANER FILTER ELEMENT..... | 0138 00 |
| REPLACE AIR CLEANER AND ELBOW..... | 0139 00 |
| REPAIR AIR CLEANER ASSEMBLY..... | 0140 00 |
| REPAIR AIR CLEANER RETAINER..... | 0141 00 |
| REPLACE AIR CLEANER RESTRICTION INDICATOR..... | 0142 00 |
| REPLACE AIR CLEANER RESTRICTION INDICATOR HOSE..... | 0143 00 |
| REMOVE/INSTALL AIR INTAKE ELBOW..... | 0144 00 |
| REPLACE GRILL AIR INTAKE ELBOW AND HOSE..... | 0145 00 |
| REPLACE EXHAUST EVACUATOR VALVE AND CONNECTOR..... | 0146 00 |
| ADJUST VENTILATING FAN DRIVE BELT..... | 0147 00 |
| REPLACE VENTILATING FAN DRIVE BELT..... | 0148 00 |
| CHAPTER 7 — UNIT MAINTENANCE INSTRUCTIONS FOR EXHAUST SYSTEM | |
| REPLACE ENGINE EXHAUST ELBOWS AND DOUBLE FLEX JOINT..... | 0149 00 |
| REPAIR DOUBLE FLEX EXHAUST JOINT..... | 0150 00 |
| REPLACE MUFFLER EXTENSION AND CAP..... | 0151 00 |
| REPLACE EXHAUST MUFFLER AND BRACKET..... | 0152 00 |
| REPLACE ENGINE LEFT/RIGHT EXHAUST ELBOWS..... | 0153 00 |
| REPLACE LEFT/RIGHT TURBO EXHAUST PIPE HEAT SHIELD..... | 0154 00 |

TABLE OF CONTENTS (cont)

WP Sequence No.

CHAPTER 8 — UNIT MAINTENANCE INSTRUCTIONS FOR RADIATOR AND EXPANSION TANK

DRAIN AND FILL COOLING SYSTEM.....0155 00
 CLEAN RADIATOR.....0156 00
 REPLACE RADIATOR AND PARTS.....0157 00
 REPLACE AUXILIARY TANK.....0158 00

CHAPTER 9 — UNIT MAINTENANCE INSTRUCTIONS FOR HEADERS/THERMOSTATS/HOUSINGS

REPLACE THERMOSTATIC FAN SPEED SWITCH.....0159 00
 REPLACE UPPER COOLANT HOSE AND TUBE.....0160 00
 REPLACE RADIATOR OUTLET TUBE AND HOSE.....0161 00
 REPLACE BALANCE HOSE.....0162 00
 REPLACE DRAIN COCK AND HOSE.....0163 00
 REPLACE COOLANT AIR SEPARATOR.....0164 00
 REPLACE THERMOSTAT/COVER.....0165 00
 REPLACE THERMOSTAT TUBE/HOSES.....0166 00

CHAPTER 10 — UNIT MAINTENANCE INSTRUCTIONS FOR WATER PUMP

ADJUST COOLANT PUMP BELTS.....0167 00
 REPLACE COOLANT PUMP IDLER PULLEY/BELTS.....0168 00
 REPLACE ENGINE COOLANT PUMP.....0169 00

CHAPTER 11 — UNIT MAINTENANCE INSTRUCTIONS FOR GENERATOR

REPLACE GENERATOR TURNBUCKLE PARTS.....0170 00
 REPLACE GENERATOR/BRACKET.....0171 00
 ADJUST GENERATOR DRIVE BELT.....0172 00
 REPLACE GENERATOR DRIVE BELT.....0173 00
 REPLACE FLAT PULLEYS AND BEARINGS.....0174 00
 REPLACE IDLER ARM AND SPRING TENSIONER.....0175 00
 ADJUST VOLTAGE REGULATOR.....0176 00
 REPLACE REGULATOR ASSEMBLY.....0177 00
 REPLACE FAN AND GENERATOR VARIABLE SPEED DRIVE.....0178 00

CHAPTER 12 — UNIT MAINTENANCE INSTRUCTIONS FOR WIRING HARNESSSES

REMOVE/REPLACE WIRING HARNESS 1W13 (CIRCUIT BREAKER TO FAN SWITCH).....0179 00
 REMOVE/REPLACE WIRING HARNESS 1W19 (DRIVER'S FAN TO INSTRUMENT PANEL).....0180 00
 REMOVE/REPLACE WIRING HARNESS 1W3, TURRET POWER.....0181 00
 REMOVE/REPLACE CABLE ASSEMBLY 1W2, SPECIAL PURPOSE.....0182 00
 REMOVE/REPLACE WIRING HARNESS 1W1, DRIVERS COMMUNICATION BOX0183 00
 REPLACE WARNING PANEL WIRING HARNESS.....0184 00
 REPLACE RIGHT HEADLIGHT VEHICLE WIRING HARNESS.....0185 00

TABLE OF CONTENTS (cont)

WP Sequence No.

| | |
|---|---------|
| REMOVE/REPLACE WIRING HARNESS 1W5 OR 1W6, HEADLIGHT EXTENSION | 0186 00 |
| REPLACE REAR MAIN WIRING HARNESS 1W4..... | 0187 00 |
| REPLACE TRANSMISSION CONTROLLER WIRING HARNESS..... | 0188 00 |
| REPAIR WIRING HARNESS..... | 0189 00 |
| REPLACE TRANSMISSION WIRING HARNESS..... | 0190 00 |
| REPLACE ENGINE WIRING HARNESS..... | 0191 00 |
| CHAPTER 13 — UNIT MAINTENANCE INSTRUCTIONS FOR DISTRIBUTION BOX | |
| REPLACE MASTER SWITCH TO DISTRIBUTION BOX LEAD (CIRCUIT 49)..... | 0192 00 |
| REPAIR DISTRIBUTION BOX..... | 0193 00 |
| REPLACE DISTRIBUTION BOX ASSEMBLY..... | 0194 00 |

Volume 2

| | |
|---|---------|
| CHAPTER 14 — UNIT MAINTENANCE INSTRUCTIONS FOR GAUGES | |
| SERVICE SPEEDOMETER/TACHOMETER CABLE FLEXIBLE CORE..... | 0195 00 |
| REPLACE SPEEDOMETER..... | 0196 00 |
| REPLACE SPEEDOMETER CABLE AND ADAPTER..... | 0197 00 |
| REPAIR SPEEDOMETER CABLE..... | 0198 00 |
| REPLACE TACHOMETER..... | 0199 00 |
| REPLACE TACHOMETER ENGINE ADAPTER..... | 0200 00 |
| REPLACE TACHOMETER CABLE..... | 0201 00 |
| REPAIR TACHOMETER CABLE..... | 0202 00 |
| REPLACE DRIVER’S LEVEL INDICATOR AND MOUNT PLATE..... | 0203 00 |
| CHAPTER 15 — UNIT MAINTENANCE INSTRUCTIONS FOR INSTRUMENT AND WARNING INDICATORS | |
| REPLACE ENGINE OIL LOW PRESSURE TRANSMITTER AND HARDWARE..... | 0204 00 |
| REPLACE COOLANT TEMPERATURE TRANSMITTER..... | 0205 00 |
| REPLACE TRANSMISSION OIL HIGH TEMPERATURE SWITCH..... | 0206 00 |
| REPLACE HOSES FROM THERMOSTAT TO VARIABLE SPEED DRIVE..... | 0207 00 |
| REPLACE TRANSMISSION OIL SUPPLY AND RETURN HOSES..... | 0208 00 |
| REPLACE TURBO OUTLET PRESSURE TRANSDUCER..... | 0209 00 |
| REPLACE AIR BOX PRESSURE TRANSDUCER..... | 0210 00 |
| REPLACE INSTRUMENT PANEL MOUNTS AND GROUND LEAD..... | 0211 00 |
| REPLACE WARNING PANEL LIGHTS..... | 0212 00 |
| REPLACE WARNING LIGHT PANEL..... | 0213 00 |
| REPLACE WARNING LIGHT PANEL ASSEMBLY..... | 0214 00 |
| REPLACE INSTRUMENT PANEL SPECIAL PURPOSE CABLE..... | 0215 00 |
| REPLACE INSTRUMENT PANEL BATTERY-GENERATOR GAUGE WIRING HARNESS..... | 0216 00 |
| REPLACE INSTRUMENT WARNING LIGHT PANEL..... | 0217 00 |
| REPLACE INSTRUMENT PANEL WARNING LIGHTS..... | 0218 00 |

TABLE OF CONTENTS (cont)

| | <u>WP Sequence No.</u> |
|---|------------------------|
| REPLACE PANEL LIGHTS AND INDICATOR LIGHTS..... | 0219 00 |
| REPLACE INSTRUMENT PANEL ASSEMBLY..... | 0220 00 |
| REPLACE INSTRUMENT PANEL GAUGES..... | 0221 00 |
| CHAPTER 16 — UNIT MAINTENANCE INSTRUCTIONS FOR VEHICLE LIGHTS | |
| REPAIR DOME LIGHT..... | 0222 00 |
| REPLACE DOME LIGHT LENS..... | 0223 00 |
| REPLACE REAR DOME LIGHT SWITCH AND CIRCUIT BREAKER..... | 0224 00 |
| REPLACE DOMELIGHT INTERLOCK SWITCH..... | 0225 00 |
| REPAIR BLACKOUT MARKER LIGHT..... | 0226 00 |
| REPLACE BLACKOUT MARKER LIGHT..... | 0227 00 |
| REPAIR BLACKOUT HEADLIGHT..... | 0228 00 |
| REPLACE BLACKOUT HEADLIGHT..... | 0229 00 |
| REPAIR SERVICE HEADLIGHTS..... | 0230 00 |
| REPLACE SERVICE HEADLIGHTS..... | 0231 00 |
| REPLACE STOP LIGHT-TAIL LIGHT AND GUARDS..... | 0232 00 |
| REPAIR LEFT STOP LIGHT-TAIL LIGHT..... | 0233 00 |
| REPAIR RIGHT STOP LIGHT-TAIL LIGHT..... | 0234 00 |
| REPLACE HEADLIGHT HIGH BEAM SELECTOR SWITCH..... | 0235 00 |
| REPLACE DOME LIGHT..... | 0236 00 |
| CHAPTER 17 — UNIT MAINTENANCE INSTRUCTIONS FOR BATTERIES | |
| DISCONNECT/CONNECT BATTERY GROUND STRAP..... | 0237 00 |
| REPLACE BATTERY LEADS AND TERMINALS..... | 0238 00 |
| REPLACE BATTERIES AND RETAINERS..... | 0239 00 |
| REPAIR BATTERY BOX..... | 0240 00 |
| REPLACE BATTERY TO MASTER SWITCH LEAD (CIRCUIT 6)..... | 0241 00 |
| CHAPTER 18 — UNIT MAINTENANCE INSTRUCTIONS FOR AUXILIARY POWER | |
| REPLACE AUXILIARY POWER (SLAVE) RECEPTACLE..... | 0242 00 |
| REPLACE AUXILIARY POWER (SLAVE) RECEPTACLE GROUND LEAD..... | 0243 00 |
| REPLACE MASTER SWITCH TO AUXILIARY POWER RECEPTACLE LEAD (CIRCUIT 50)..... | 0244 00 |
| CHAPTER 19 — UNIT MAINTENANCE INSTRUCTIONS FOR SWITCHES | |
| REPLACE MASTER SWITCH..... | 0245 00 |
| REPLACE MASTER SWITCH PANEL ASSEMBLY..... | 0246 00 |
| REPLACE INSTRUMENT PANEL ON-OFF SWITCHES..... | 0247 00 |
| REPLACE MAIN LIGHT SWITCH..... | 0248 00 |
| REPLACE ENGINE START SWITCH..... | 0249 00 |
| REPLACE HORN SWITCH..... | 0250 00 |
| REPLACE CREW FAN SWITCH AND CIRCUIT BREAKER..... | 0251 00 |
| REMOVE/REPLACE DRIVER’S HATCH SWITCH 1S9..... | 0252 00 |

TABLE OF CONTENTS (cont)

| | <u>WP Sequence No.</u> |
|--|------------------------|
| REMOVE/REPLACE DRIVER’S HATCH SWITCH 1S6..... | 0253 00 |
| REPLACE TRANSMISSION OIL HIGH TEMPERATURE SWITCH..... | 0254 00 |
| REPLACE GENERATOR FIELD PRESSURE SWITCH..... | 0255 00 |
| REPLACE STARTER RELAY SWITCH..... | 0256 00 |
| REPLACE CIRCUIT BREAKER..... | 0257 00 |
| REPLACE BILGE PUMP CIRCUIT BREAKER..... | 0258 00 |
| CHAPTER 20 — UNIT MAINTENANCE INSTRUCTIONS FOR VENTILATING FANS | |
| REMOVE/INSTALL CREW VENTILATION FAN ASSEMBLY..... | 0259 00 |
| REMOVE/REPLACE DRIVER’S VENTILATION FAN ASSEMBLY MOUNTING BRACKET AND HARDWARE..... | 0260 00 |
| REMOVE/INSTALL EXTERNAL FRESH AIR DUCT ASSEMBLY..... | 0261 00 |
| REMOVE/INSTALL CREW INTERNAL FRESH AIR DUCT ASSEMBLY..... | 0262 00 |
| REMOVE/INSTALL EXTERNAL FRESH AIR SYSTEM FILTER..... | 0263 00 |
| CHAPTER 21 — UNIT MAINTENANCE INSTRUCTIONS FOR TRANSMISSION | |
| REPLACE TRANSMISSION OIL DRAIN TUBES AND BRACKET..... | 0264 00 |
| REPLACE TRANSMISSION MOUNTS..... | 026500 |
| REPLACE TRANSMISSION RANGE CONTROLLER/BRACKET..... | 0266 00 |
| CHAPTER 22 — UNIT MAINTENANCE INSTRUCTIONS FOR TRANSFER AND FINAL DRIVES | |
| OPERATIONAL CHECK/ADJUST TRANSMISSION STEERING..... | 0267 00 |
| REPLACE TRANSMISSION OIL LEVEL DIPSTICK, TUBE, AND ADAPTER..... | 0268 00 |
| REPLACE TRANSMISSION OIL AND OIL FILTER ELEMENT..... | 0269 00 |
| REPLACE TRANSMISSION OIL COOLER HOSES, FITTINGS, AND MOUNTING..... | 0270 00 |
| REPLACE TRANSMISSION OIL SAMPLING VALVE AND PRESSURE SWITCH..... | 0271 00 |
| REPLACE DIFFERENTIAL PRESSURE SWITCH AND BYPASS PLUG..... | 0272 00 |
| REPLACE FINAL DRIVE FILLER TUBE AND DIPSTICK..... | 0273 00 |
| REPLACE FINAL DRIVE..... | 0274 00 |
| REPLACE FINAL DRIVE DIFFERENTIAL OIL SEAL..... | 027500 |
| REPLACE PROPELLER SHAFT AND UNIVERSAL JOINTS..... | 0276 00 |
| CHAPTER 23 — UNIT MAINTENANCE INSTRUCTIONS FOR BRAKES | |
| ADJUST PARKING BRAKE..... | 0277 00 |
| ADJUST SERVICE BRAKE CONTROL LINKAGE..... | 0278 00 |
| ADJUST TRANSMISSION BRAKES..... | 0279 00 |
| CHECK TRANSMISSION BRAKE ADJUSTMENT..... | 0280 00 |
| REPLACE PARKING BRAKE CONTROL LEVER ASSEMBLY..... | 0281 00 |
| REPLACE SERVICE BRAKE CONTROL LINKAGE..... | 0282 00 |
| REPLACE PARKING BRAKE CONTROL CABLE ASSEMBLY..... | 0283 00 |
| REPLACE UPPER AND LOWER SERVICE BRAKE PEDAL..... | 0284 00 |
| REPLACE STOP SWITCH..... | 0285 00 |

TABLE OF CONTENTS (cont)

WP Sequence No.

REPLACE PARKING BRAKE SWITCH/BRACKET.....0286 00

CHAPTER 24 — UNIT MAINTENANCE INSTRUCTIONS FOR SUSPENSION

REPLACE TORSION BAR.....0287 00

REPLACE TORSION BAR ANCHOR.....0288 00

REPLACE ROAD WHEEL SUPPORT ARM, BEARINGS, AND SEALS.....0289 00

REPLACE ROAD WHEEL HUB.....0290 00

REPLACE ROAD WHEEL.....0291 00

REPLACE IDLER WHEEL.....0292 00

CHAPTER 25 — UNIT MAINTENANCE INSTRUCTIONS FOR TRACK IDLERS, DRIVE
 SPROCKETS, AND TRACKS

REPLACE IDLER WHEEL ARM ASSEMBLY.....0293 00

REPLACE IDLER WHEEL ARM BEARINGS AND SEALS.....0294 00

REPLACE TRACK TENSION ADJUSTER AND MOUNT.....0295 00

REPLACE DRIVE SPROCKET AND CARRIER ASSEMBLY.....0296 00

REPAIR DRIVE SPROCKET CARRIER ASSEMBLY.....0297 00

REPLACE TRACK.....0298 00

REPLACE TRACK SHOE ASSEMBLY.....0299 00

REPLACE TRACK SHOE PAD.....0300 00

CHAPTER 26 — UNIT MAINTENANCE INSTRUCTIONS FOR STEERING

REPLACE PUSH-PULL CONTROL ASSEMBLY, BRACKET, LINKS, AND PINS.....0301 00

ADJUST STEERING WHEEL LINKAGE.....0302 00

REPLACE STEERING LOCK SWITCH.....0303 00

REPLACE STEERING SUPPORT, BRACKETS, AND SHAFT.....0304 00

REPLACE QUICK-RELEASE PIN AND LANYARD.....0305 00

REPLACE STEERING WHEEL LINKAGE.....0306 00

CHAPTER 27 — UNIT MAINTENANCE INSTRUCTIONS FOR HULL ACCESS COVERS
 AND DOORS

REMOVE/REPLACE VISMOD ACCESS DOORS.....0307 00

REMOVE/REPLACE ENGINE ACCESS COVER PLATE.....0308 00

REPAIR/REPLACE POWER PLANT REAR ACCESS PANELS.....0309 00

REMOVE/INSTALL FAN DRIVE PULLEY ACCESS COVER.....0310 00

REPLACE RADIATOR ACCESS DOOR.....0311 00

REPLACE DRIVER’S POWER PLANT ACCESS PANEL.....0312 00

REMOVE/INSTALL HULL NOSE ASSEMBLY.....0313 00

REMOVE/REPLACE VISMOD PANEL, LEFT AND RIGHT SIDE.....0314 00

REPLACE HULL FRONT ACCESS COVER.....0315 00

REPLACE POWER PLANT BOTTOM ACCESS COVER.....0316 00

CHAPTER 28 — UNIT MAINTENANCE INSTRUCTIONS FOR HULL ASSEMBLIES

REPAIR HULL BY WELDING.....0317 00

TABLE OF CONTENTS (cont)

| | <u>WP Sequence No.</u> |
|---|------------------------|
| REPLACE HORN AND GROUND LEAD..... | 0318 00 |
| REPLACE UTILITY OUTLET RECEPTACLE..... | 0319 00 |
| REPLACE POWER PLANT GRILL SCREEN..... | 0320 00 |
| REMOVE/REPLACE ENGINE ACCESS COVER PLATE SEAL..... | 0321 00 |
| REPLACE TOWING HOOK AND EYE..... | 0322 00 |
| REPLACE REAR TIEDOWN PLATES..... | 032300 |
| REPLACE LIFTING EYE..... | 0324 00 |
| REPLACE HEADLIGHT GUARD..... | 0325 00 |
| REMOVE/REPLACE REAR DOOR CATCH HOOKS..... | 0326 00 |
| REMOVE/REPLACE REAR DOOR BUMPER..... | 0327 00 |
| REMOVE/REPLACE RIGHT REAR DOOR HANDLES, HINGES, LATCHES, AND CHAIN..... | 0328 00 |
| REPLACE REAR DOORS, HINGES, AND GASKETS..... | 0329 00 |
| REPLACE LEFT REAR DOOR INSIDE HINGES AND LATCH..... | 0330 00 |
| ADJUST TOW START CONTROL CABLE ASSEMBLY..... | 0331 00 |
| REPLACE TOW START CONTROL ASSEMBLY AND BEARING..... | 0332 00 |
| REPLACE TOW START CONTROL ASSEMBLY COVER..... | 0333 00 |
| CHAPTER 29 — UNIT MAINTENANCE INSTRUCTIONS FOR HULL DRAIN PLUGS | |
| REPLACE HULL DRAIN PLUGS..... | 0334 00 |
| CHAPTER 30 — UNIT MAINTENANCE INSTRUCTIONS FOR POWER PLANT GRILL | |
| REMOVE/INSTALL POWER PLANT GRILLE..... | 0335 00 |
| INSPECT POWER PLANT SLING..... | 0336 00 |
| CHAPTER 31 — UNIT MAINTENANCE INSTRUCTIONS FOR DRIVER’S HATCH AND FLOOR PLATES | |
| REPLACE DRIVER’S HATCH CUSHION PAD..... | 0337 00 |
| REPLACE DRIVER’S HATCH INTERIOR LOCK AND LATCH..... | 0338 00 |
| REPLACE VEHICLE PERISCOPE LOCKS AND SEALS..... | 0339 00 |
| REPAIR DRIVER’S HATCH..... | 0340 00 |
| REPLACE REAR COMPARTMENT AIR VENTILATOR..... | 0341 00 |
| REPLACE DRIVER’S COMPARTMENT FLOOR PLATES..... | 0342 00 |
| REPLACE FLOOR PLATES/RUBBER STRIPS..... | 0343 00 |
| CHAPTER 32 — UNIT MAINTENANCE INSTRUCTIONS FOR TURRET SHIELD | |
| REPAIR TURRET SHIELD DOOR LATCH ASSEMBLY..... | 0344 00 |
| REPLACE TURRET SHIELD DOOR..... | 0345 00 |
| REPLACE TURRET SHIELD DOOR LOWER TRACKS..... | 0346 00 |
| REPLACE TURRET SHIELD DOOR UPPER TRACK (EAK)..... | 0347 00 |
| REPLACE TURRET SHIELD DOOR LATCH STRIKE..... | 0348 00 |
| REPLACE TURRET SHIELD DOOR SWITCH ASSEMBLY..... | 0349 00 |
| REPLACE RIGHT TURRET SHIELD PANEL..... | 0350 00 |

TABLE OF CONTENTS (cont)

| | <u>WP Sequence No.</u> |
|---|------------------------|
| REPLACE LEFT TURRET SHIELD PANEL..... | 0351 00 |
| CHAPTER 33 — UNIT MAINTENANCE INSTRUCTIONS FOR SHOCK ABSORBERS | |
| REPLACE SHOCK ABSORBER..... | 0352 00 |
| REPLACE SHOCK ABSORBER MOUNT..... | 0353 00 |
| REPLACE SHOCK ABSORBER PIN..... | 0354 00 |
| CHAPTER 34 — UNIT MAINTENANCE INSTRUCTIONS FOR BILGE PUMPS | |
| REPLACE FRONT BILGE PUMP PIPES..... | 0355 00 |
| REPLACE FRONT BILGE PUMP AND STRAINER..... | 0356 00 |
| REPLACE FRONT BILGE VALVE..... | 0357 00 |
| CHAPTER 35 — UNIT MAINTENANCE INSTRUCTIONS FOR SEATS | |
| REPLACE PERSONNEL SEATS, BACKRESTS, CUSHIONS, AND BELTS..... | 0358 00 |
| REPLACE DRIVER’S SEAT ASSEMBLY..... | 0359 00 |
| REPAIR DRIVER’S SEAT..... | 0360 00 |
| REPLACE DRIVER’S SEAT BACK ASSEMBLY..... | 0361 00 |
| REPAIR DRIVER’S SEAT BACK ASSEMBLY..... | 0362 00 |
| REPLACE DRIVER’S SEAT IMPACT ABSORBER..... | 0363 00 |
| REPLACE DRIVER’S SEAT POST ASSEMBLY..... | 0364 00 |
| REPAIR DRIVER’S SEAT POST ASSEMBLY..... | 0365 00 |
| REPLACE DRIVER’S FOOTREST..... | 0366 00 |
| REPLACE OILCAN BRACKET..... | 0367 00 |
| CHAPTER 36 — UNIT MAINTENANCE INSTRUCTIONS FOR PERSONNEL HEATER | |
| REPAIR PERSONNEL HEATER DUCT..... | 0368 00 |
| REPLACE PERSONNEL HEATER DUCT AND HOSES..... | 0369 00 |
| REPAIR PERSONNEL HEATER ASSEMBLY..... | 0370 00 |
| REPLACE PERSONNEL HEATER ASSEMBLY..... | 0371 00 |
| REPAIR PERSONNEL HEATER CONTROL BOX..... | 0372 00 |
| REPLACE PERSONNEL HEATER CONTROL BOX..... | 0373 00 |
| REPLACE FUEL PUMP TO BULKHEAD CONNECTION HOSE..... | 0374 00 |
| REPLACE PERSONNEL HEATER FUEL FILTER/BRACKET..... | 0375 00 |
| REPLACE PERSONNEL HEATER FUEL PUMP..... | 0376 00 |
| REPLACE PERSONNEL HEATER FUEL PUMP HOSE..... | 0377 00 |
| REPLACE HEATER/FILTER FUEL SUPPLY HOSES..... | 0378 00 |
| REPLACE PERSONNEL HEATER FUEL TUBE..... | 0379 00 |
| REPLACE HEATER AIR INTAKE AND EXHAUST PIPES..... | 0380 00 |
| REPLACE FUEL SHUT-OFF VALVE ASSEMBLY..... | 0381 00 |
| SERVICE PERSONNEL HEATER FUEL FILTER..... | 0382 00 |
| SERVICE PERSONNEL HEATER FUEL PUMP..... | 0383 00 |
| BLEED AIR FROM PERSONNEL HEATER FUEL LINES..... | 0384 00 |

TABLE OF CONTENTS (cont)

WP Sequence No.

CHAPTER 37 — UNIT MAINTENANCE INSTRUCTIONS FOR STE/ICE COMPONENTS

| | |
|--|---------|
| REPLACE STE/ICE PULSE TACHOMETER..... | 0385 00 |
| REPLACE STE/ICE SHUNT..... | 0386 00 |
| REPLACE STE/ICE DISTRIBUTION BOX..... | 0387 00 |
| REPLACE STE/ICE CREW WIRING HARNESS..... | 0388 00 |
| REPLACE STE/ICE ENGINE WIRING HARNESS..... | 0389 00 |

CHAPTER 38 — UNIT MAINTENANCE INSTRUCTIONS FOR FIRE EXTINGUISHERS

| | |
|--|---------|
| REPLACE FIRE EXTINGUISHER CYLINDER AND MOUNT..... | 0390 00 |
| REPLACE CYLINDER DISCHARGE TUBES..... | 0391 00 |
| REPLACE EXTERNAL HANDLE SHIELD..... | 0392 00 |
| REPLACE FIRE EXTINGUISHER CONTROL VALVE AND EXTERNAL HANDLE..... | 0393 00 |
| REPLACE EXTERNAL CABLE TUBE..... | 0394 00 |

CHAPTER 39 — UNIT SUPPORTING INFORMATION

| | |
|--|---------|
| REFERENCES..... | 0395 00 |
| MAINTENANCE ALLOCATION CHART (MAC)..... | 0396 00 |
| TOOL IDENTIFICATION LIST..... | 0397 00 |
| TORQUE LIMITS..... | 0398 00 |
| EXPENDABLE AND DURABLE ITEMS LIST..... | 0399 00 |
| STENCILS, DATAPLATES, DECALS, AND MARKERS..... | 0400 00 |
| GENERAL MAINTENANCE INSTRUCTIONS..... | 0401 00 |

CHAPTER 14
UNIT MAINTENANCE INSTRUCTIONS
FOR GAUGES

WORK PACKAGE INDEX

| <u>Title</u> | <u>Sequence No.</u> |
|---|---------------------|
| SERVICE SPEEDOMETER/TACHOMETER CABLE FLEXIBLE CORE..... | 0195 00 |
| REPLACE SPEEDOMETER..... | 0196 00 |
| REPLACE SPEEDOMETER CABLE AND ADAPTER..... | 0197 00 |
| REPAIR SPEEDOMETER CABLE..... | 0198 00 |
| REPLACE TACHOMETER..... | 0199 00 |
| REPLACE TACHOMETER ENGINE ADAPTER..... | 0200 00 |
| REPLACE TACHOMETER CABLE..... | 0201 00 |
| REPAIR TACHOMETER CABLE..... | 0202 00 |
| REPLACE DRIVER'S LEVEL INDICATOR AND MOUNT PLATE..... | 0203 00 |

SERVICE SPEEDOMETER/TACHOMETER CABLE FLEXIBLE CORE

0195 00

THIS WORK PACKAGE COVERS:

Removal (page 0195 00-1).
 Installation (page 0195 00-3).

INITIAL SETUP:

Maintenance Level
 Unit

References
 TM 9-2350-366-10-1

Tools and Special Tools
 General Mechanic's Tool Kit (WP 0397 00, Item 64)

Equipment Condition
 Master switch off (TM 9-2350-366-10-1)
 Engine stopped (TM 9-2350-366-10-1)
 Vehicle blocked (TM 9-2350-366-10-1)
 Engine access cover plate removed (WP 0308 00)
 Front VISMOD access doors removed (WP 0307 00)

Materials/Parts
 Automotive grease (WP 0399 00, Item 11)
 Gasket
 Lockwasher (2)
 Preformed packing

Personnel Required
 Unit Mechanic 63T10

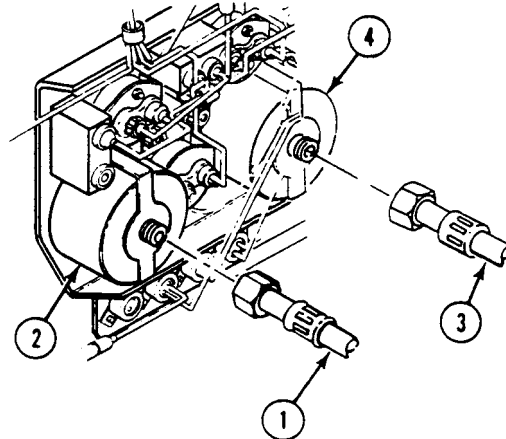
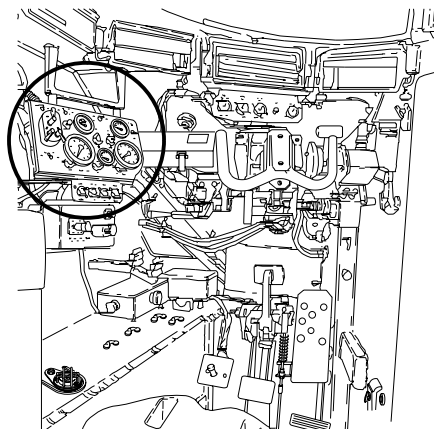
SERVICING

REMOVAL

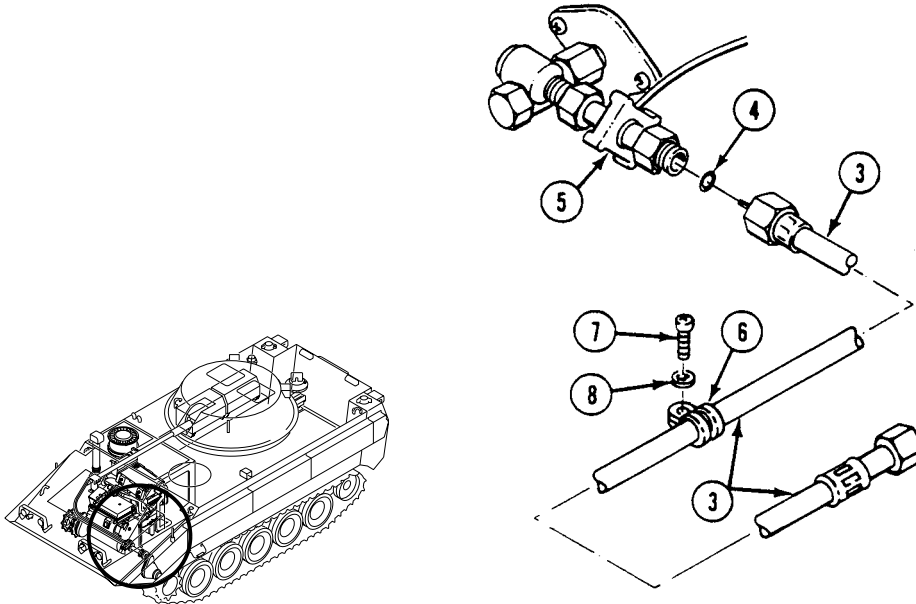
NOTE

This task applies to both tachometer cable assembly and speedometer cable assembly core servicing. Perform only those steps referring to cable that requires servicing.

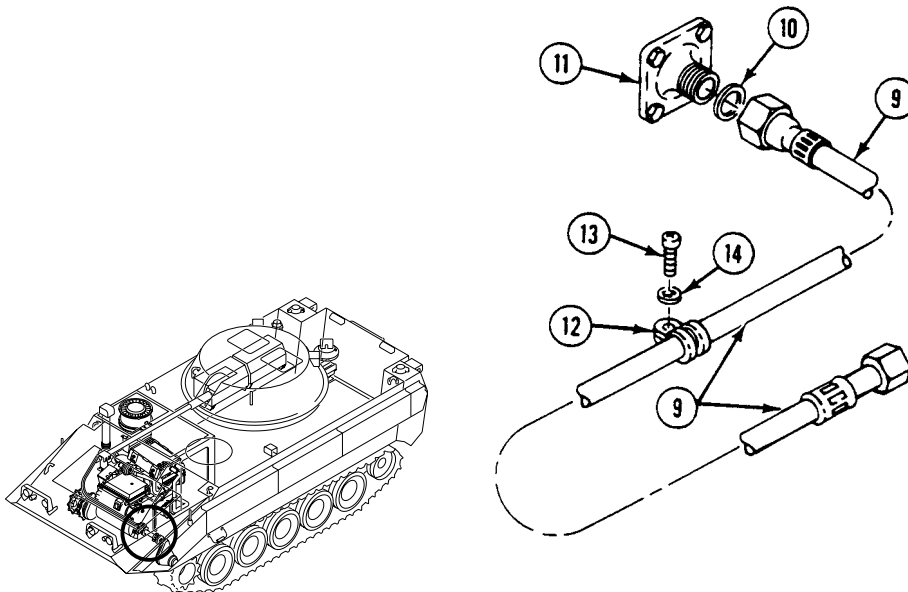
1. DISCONNECT TACHOMETER CABLE (1) FROM GAUGE (2) AND/OR SPEEDOMETER CABLE (3) FROM GAUGE (4).



2. REMOVE TACHOMETER CABLE (3) AND GASKET (4) FROM STE/ICE UNIT (5). DISCARD GASKET.

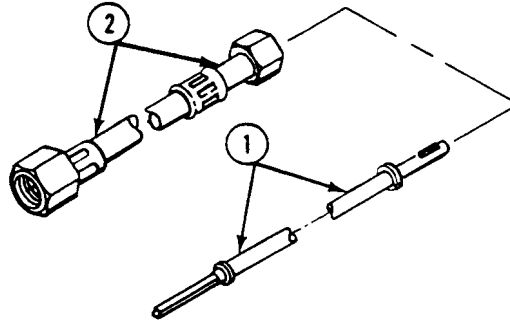


3. REMOVE SCREW (7), LOCKWASHER (8), AND CLAMP (6) FROM TACHOMETER CABLE (3). DISCARD LOCKWASHER.
4. REMOVE SPEEDOMETER CABLE (9) AND PREFORMED PACKING (10) FROM FINAL DRIVE ADAPTER (11). DISCARD PACKING.



5. REMOVE SCREW (13), LOCKWASHER (14), AND CLAMP (12) FROM SPEEDOMETER CABLE (9). DISCARD LOCKWASHER.

- REMOVE CORE (1) FROM CABLE HOUSING (2). IF CORE DOES NOT COME OUT FREELY, REPLACE CABLE ASSEMBLY (WP 0197 00) OR (WP 0201 00).

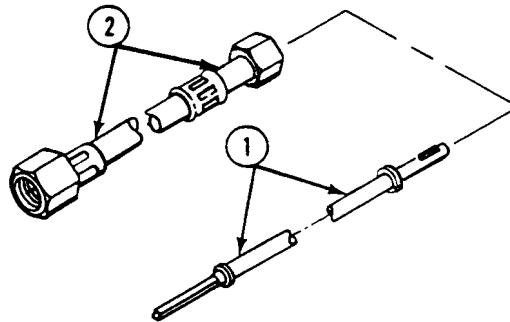


INSTALLATION

NOTE

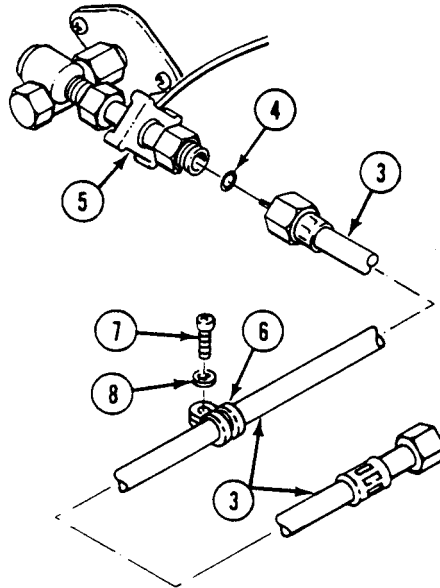
Grease lube gun may be used in Step 1.

- APPLY GREASE TO CORE (1).

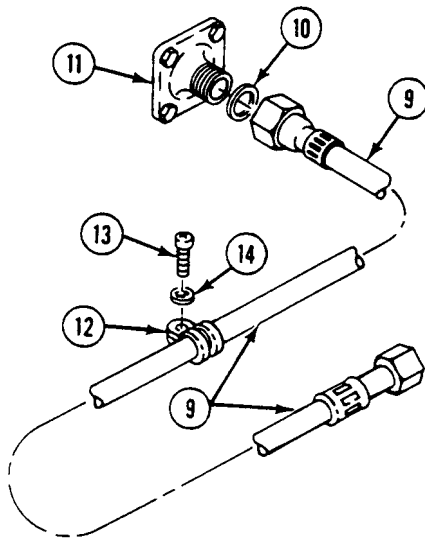


- INSTALL CORE (1) IN CABLE HOUSING (2) WITH ROTATING MOTION.

3. INSTALL TACHOMETER CABLE (3) AND NEW GASKET (4) ON STE/ICE UNIT (5).

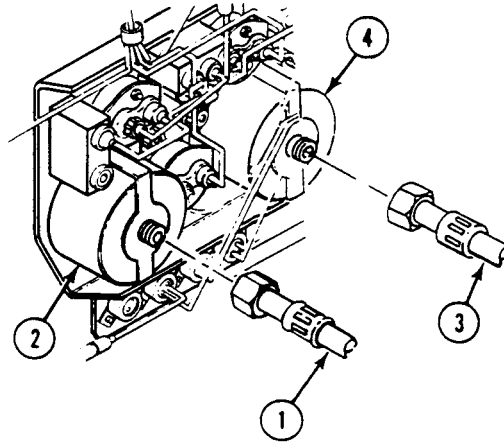


4. INSTALL CLAMP (6) ON TACHOMETER CABLE (3) WITH SCREW (7) AND NEW LOCKWASHER (8).
5. INSTALL SPEEDOMETER CABLE (9) AND NEW PREFORMED PACKING (10) ON FINAL DRIVE ADAPTER (11).



6. INSTALL CLAMP (12) ON SPEEDOMETER CABLE (9) WITH SCREW (13) AND NEW LOCKWASHER (14).

- CONNECT TACHOMETER CABLE (1) TO GAUGE (2) AND/OR SPEEDOMETER CABLE (3) TO GAUGE (4).



- START ENGINE. See TM 9-2350-366-10-1.
- OPERATE VEHICLE TO CHECK THAT TACHOMETER GAUGE WORKS PROPERLY. TACHOMETER NEEDLE SHOULD NOT PULSATE.
- OPERATE VEHICLE TO CHECK THAT SPEEDOMETER GAUGE WORKS PROPERLY.
- STOP ENGINE. See TM 9-2350-366-10-1.
- IF GAUGES DO NOT OPERATE PROPERLY, REPEAT TASK. IF PROBLEM IS NOT CORRECTED, REMOVE CABLE ASSEMBLY (WP 0197 00) OR (WP 0201 00).
- INSTALL FRONT VISMOD ACCESS DOORS (WP 0307 00).
- INSTALL ENGINE ACCESS COVER PLATE (WP 0308 00).

END OF TASK