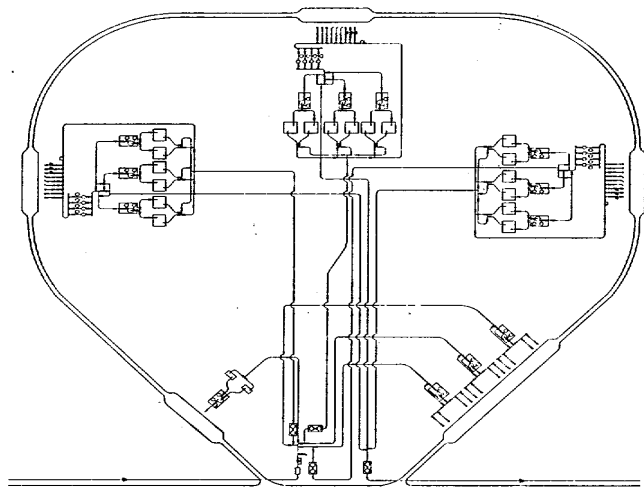


TECHNICAL MANUAL

**OPERATOR'S, UNIT, AND DIRECT SUPPORT
MAINTENANCE MANUAL**



**TACTICAL PETROLEUM TERMINAL
MODEL TPT-1
(NSN 3835-01-288-4604)**

OPERATING INSTRUCTIONS	2-1
OPERATOR PREVENTIVE MAINTENANCE CHECKS AND SERVICES (PMCS)	2-11
OPERATOR TROUBLESHOOTING PROCEDURES	3-1
UNIT MAINTENANCE INSTRUCTIONS	4-1
UNIT PREVENTIVE MAINTENANCE CHECKS AND SERVICES (PMCS)	4-48
UNIT TROUBLESHOOTING PROCEDURES	4-51
DIRECT SUPPORT MAINTENANCE INSTRUCTIONS	5-1
MAINTENANCE ALLOCATION CHART	B-1

DISTRIBUTION STATEMENT A: Approved for public release; distribution is unlimited.

HEADQUARTERS, DEPARTMENT OF THE ARMY
5 APRIL 1995

OPERATOR'S, UNIT AND DIRECT SUPPORT MAINTENANCE MANUAL

TACTICAL PETROLEUM TERMINAL
MODEL TPT-1
(NSN 3835-01-288-4604)

REPORTING OF ERRORS

Reporting Errors and Recommending Improvements. You can help improve this manual. If you find any mistake or if you know of a way to improve the procedures, please let us know. Mail your letter, DA Form 2028 (Recommended Changes to Publications and Blank Forms), or DA Form 2028-2 located in the back of this manual direct to Commander, U.S. Army Aviation and Troop Command, ATTN: AMSAT-I-MP, 4300 Good fellow Blvd., St. Louis, MO 63120-1798. A reply will be furnished to you.

DISTRIBUTION STATEMENT A. Approved for public release; distribution is unlimited.

TABLE OF CONTENTS

		<u>Page</u>
CHAPTER 1	INTRODUCTION	1-1
Section I	GENERAL INFORMATION.....	1-1
Section II	EQUIPMENT DESCRIPTION	1-2
Section III	PRINCIPLES OF OPERATION.....	1-16
CHAPTER 2	OPERATING INSTRUCTIONS	2-1
Section I	DESCRIPTION AND USE OF OPERATOR'S CONTROLS AND INDICATORS	2-2
Section II	OPERATOR PREVENTIVE MAINTENANCE CHECKS AND SERVICES (PMCS)	2-11
Section III	OPERATION UNDER USUAL CONDITIONS.....	2-38
Section IV	OPERATION UNDER UNUSUAL CONDITIONS.....	2-68
CHAPTER 3	OPERATOR MAINTENANCE INSTRUCTIONS	3-1
Section I	LUBRICATION INSTRUCTIONS	3-1
Section II	OPERATOR TROUBLESHOOTING PROCEDURES	3-1
Section III	OPERATOR MAINTENANCE PROCEDURES	3-8

TABLE OF CONTENTS - continued

CHAPTER 4	UNIT MAINTENANCE INSTRUCTIONS	4-1
Section I	LUBRICATION INSTRUCTIONS	4-1
Section II	REPAIR PARTS, TOOLS, SPECIAL TOOLS, TEST, MEASUREMENT AND DIAGNOSTIC EQUIPMENT (TMDE), AND SUPPORT EQUIPMENT	4-1
Section III	SERVICE UPON RECEIPT	4-1
Section IV	UNIT PREVENTIVE MAINTENANCE CHECKS AND SERVICES (PMCS)	4-48
Section V	UNIT TROUBLESHOOTING PROCEDURES	4-51
Section VI	UNIT MAINTENANCE PROCEDURES	4-57
Section VII	PREPARATION FOR STORAGE OR SHIPMENT.....	4-61
CHAPTER 5	DIRECT SUPPORT MAINTENANCE INSTRUCTIONS	5-1
Section I	REPAIR PARTS, TOOLS, SPECIAL TOOLS, TEST, MEASUREMENT, AND DIAGNOSTIC EQUIPMENT (TMDE), AND SUPPORT EQUIPMENT.....	5-1
Section II	DIRECT SUPPORT TROUBLESHOOTING PROCEDURES	5-1
Section III	DIRECT SUPPORT MAINTENANCE PROCEDURES.....	5-2
APPENDIX A	REFERENCES	A-1
APPENDIX B	MAINTENANCE ALLOCATION CHART	B-1
Section I	INTRODUCTION	B-1
Section II	MAINTENANCE ALLOCATION CHART FOR TACTICAL PETROLEUM TERMINAL	B-4
Section III	TOOL AND TEST EQUIPMENT REQUIREMENTS FOR TACTICAL PETROLEUM TERMINAL	B-9
Section IV	REMARKS FOR TACTICAL PETROLEUM TERMINAL	B-10
APPENDIX C	COMPONENTS OF END ITEM (COEI) AND BASIC ISSUE ITEMS (BII) LISTS	C-1
Section I	INTRODUCTION	C-1
Section II	COMPONENTS OF END ITEM.....	C-2
Section III	BASIC ISSUE ITEMS.....	C-46
APPENDIX D	ADDITIONAL AUTHORIZATION LIST (AAL)	D-1
Section I	INTRODUCTION	D-1
Section II	ADDITIONAL AUTHORIZED ITEMS LIST.....	D-1
APPENDIX E	EXPENDABLE AND DURABLE ITEMS LIST.....	E-1
Section I	INTRODUCTION	E-1
Section II	EXPENDABLE AND DURABLE ITEMS LIST.....	E-1
APPENDIX F	LUBRICATION INSTRUCTIONS	F-1

		<u>Page</u>
APPENDIX G	ILLUSTRATED LIST OF MANUFACTURED ITEMS.....	G-1
Section I	INTRODUCTION	G-1
Section II	MANUFACTURED ITEMS ILLUSTRATIONS	G-2
APPENDIX H	TORQUE LIMITS	H-1
APPENDIX I	MANDATORY REPLACEMENT PARTS LIST.....	I-1
GLOSSARY	Glossary-1
Section I	ABBREVIATIONS	Glossary-1
Section II	DEFINITION OF UNUSUAL TERMS.....	Glossary-1
ALPHABETICAL INDEX.....		Index-1

LIST OF TABLES

<u>Table</u>	<u>Title</u>	<u>Page</u>
2-1	Operator Preventive Maintenance Checks and Services for Tactical Petroleum Terminal	2-13
4-1	Unit Preventive Maintenance Checks and Services for Tactical Petroleum Terminal....	4-49

LIST OF ILLUSTRATIONS

<u>Figure</u>	<u>Title</u>	<u>Page</u>
1-0	Tactical Petroleum Terminal	1-0
1-1	Fire Suppression Equipment Set.....	1-4
1-2	Contaminated Fuel Module.....	1-5
1-3	Transfer Hoseline Assembly And Installation Tools	1-6
1-4	Switching Manifold	1-7
1-5	Pipeline Connection Support and Hoseline Installation and Repair Assemblies	1-8
1-6	Interim Support Items List (ISIL) Pipeline Connection Support Assembly	1-9
1-7	Tank Farm Assembly	1-10
1-8	Fuel Dispensing Assembly	1-11
1-9	Tanker-Truck Receipt Manifold	1-12
1-10	Optional Tank Configuration	1-13
1-11	Fuel Unit Support and Hose Line Installation and Repair Assemblies	1-14
1-12	Interim Support Items List (ISIL) Fuel Unit Support Assembly	1-15
1-13	Tactical Petroleum Terminal Flow Diagram.....	1-18

LIST OF ILLUSTRATIONS - continued

<u>Figure</u>		<u>Page</u>
2-1	3 Inch Ball Valve	2-2
2-2	6 Inch Gate Valve	2-2
2-3	6 Inch Ball Valve	2-3
2-4	6 Inch Meter	2-3
2-5	Fuel Sampling Assembly	2-4
2-6	Pressure Regulating Valve Assembly	2-4
2-7	4 Inch Butterfly Valve	2-6
2-8	4 Inch Gate Valve	2-6
2-9	1-1/2 Inch Ball Valve	2-7
2-10	Water Detection Kit Adapter Assembly	2-7
2-11	Fire Suppression Equipment Set	2-8
2-12	350 gpm Centrifugal Pump	2-8
2-13	Petroleum Testing Kit	2-9
2-14	600 gpm Self Priming Centrifugal Pump	2-9
2-15	Type D-1 Nozzle Assembly	2-9
2-16	Liquid Fuel Filter/Separator	2-10
2-17	Floodlight Set	2-10
2-18	Fuel Sampling Points at Filter Separators	2-42
2-19	Fuel Sampling at Switching Manifold	2-43
2-20	Water Detection Kit Adapter	2-44
2-21	Tank Bottom Drain	2-44
2-22	Typical 5,000 BBL Fabric Tank Operation	2-49
2-23	Typical 50,000 GAL Fabric Tank Operation	2-50
2-24	Commissioning Schematic	2-54
2-25	Fuel Transfer Schematic	2-60
2-26	Fuel Discharge Schematic	2-63
2-27	Fuel Transfer From Tank Farm to Associated Pipeline	2-65
4-1	Typical Wide Spaced TPT Layout	4-4
4-2	Typical Close Spaced TPT Layout	4-5
4-3	Independent Tank Berm	4-8
4-4	Shared Tank Berm	4-9
4-5	Tank Pad	4-10
4-6	Contaminated Fuel Module	4-20
4-7	Switching Manifold	4-22
4-8	Tank Farm Assembly	4-24
4-9	Use of Range Poles for Approximate Tank Gauging	4-26
4-10	Fuel Dispensing Assembly	4-28
4-11	Tanker-Truck Receipt Manifold	4-32
4-12	50,000 Gallon Tank TPT Optional Configuration	4-35
4-13	Transfer Hoseline Typical Valve and Tee Arrangement	4-37
4-14	Suspension Kit Installation	4-40
4-15	Installing Wire Rope Clamps	4-41
4-16	Stake and Turnbuckle Installation	4-42
4-17	Maximum Allowable Sag	4-43
4-18	Quick Disconnect Fittings	4-59
4-19	Double Groove Connection Fittings	4-60
4-20	Adapter Clamp	4-62
4-21	Self Driving Ground Rod Assembly	4-63
4-22	Suspension Kit Installation	4-65
4-23	Installing Wire Rope Clamps	4-66

<u>Figure</u>	<u>Title</u>	<u>Page</u>
4-24	Stake and Turnbuckle Installation	4-67
4-25	Maximum Allowable Sag	4-68
4-26	4 Inch Cam-lock MxMxF "Y" Assembly	4-69
4-27	Displacement and Evacuation Kit 6 Inch Hoseline	4-75
4-28	Evacuation Process View 1	4-77
4-29	Evacuation Process View 2	4-78
4-30	Evacuation Process View 3	4-80
4-31	Evacuation Process View 4	4-81
5-1	Common Tools and Equipment	5-1
5-2	Special Tools	5-1
5-3	Repair Parts	5-1
5-4	Hose Repair (Hoses with Band Type Clamps)	5-2
5-5	Hose Repair (Hoses with Three Part Clamps)	5-5
5-6	Fuel Sampling Assembly Repair	5-6
5-7	Meter Skid Assembly Repair	5-8
5-8	Water Detection Kit Adapter Assembly Repair.	5-11
C-1	Pipeline Connection Assembly	C-2
C-2	Contaminated Fuel Module	C-4
C-3	Transfer Hoseline Assembly, 6 Inch	C-6
C-4	Hoseline Assembly Installation Tools	C-8
C-5	Switching Manifold, 6 Inch	C-11
C-6	Pipeline Connection Support Assembly	C-13
C-7	Hoseline Installation and Repair Assembly	C-15
C-8	Interim Support Items List (ISIL) Pipeline Connection Support Assembly (ON BOARD SPARES)	C-17
C-9	Fuel Unit	C-20
C-10	Tank Farm Assembly	C-22
C-11	Transfer Hoseline Assembly, 6 Inch	C-24
C-12	Hoseline Assembly Installation Tools	C-26
C-13	Fuel Dispensing Assembly	C-29
C-14	Tanker-Truck Receipt Manifold	C-33
C-15	50,000 Gallon Tank TPT Optional Configuration	C-36
C-16	Fuel Unit Support Assembly	C-38
C-17	Hoseline Installation and Repair Assembly	C-40
C-18	Interim Support Items List (ISIL) Fuel Unit Support Assembly (ON BOARD SPARES)	C-42
C-19	Basic Issue Items	C-46
G-1	Cord, Fibrous, Nylon, Part Number 13228E3417/2	G-2
G-2	Hose	G-2
G-3	Hose Part Number 13228E3428/2	G-2
G-4	Hose, Part Number 13228E3431/1	G-3
G-5	Hose	G-3
G-6	Hose Part Number 13228E3442/21	G-3
G-7	Wire, Part Number 13228E3500/7	G-4
G-8	Hose, Part Number 140K0019-1/1	G-4
G-9	Hose, Part Number 140K0021-1/1	G-4

HOW TO USE THIS MANUAL

Be sure to read all Warnings before using your equipment.

This manual contains instructions for operation and maintenance of the Tactical Petroleum Terminal.

MANUAL OVERVIEW

a. Index Tabs.

See the front cover index of this manual. It lists the most important areas of the manual and guides you to those sections. Follow the black mark on the cover index edge through the pages to the edge mark on the section you want. The subjects on the front cover index are also highlighted in the table of contents by containers. A detailed alphabetical index is located at the back of this manual.

b. Contents.

The following gives you a summary of each chapter and appendix. Before beginning a maintenance task, you must familiarize yourself with the entire procedure.

- Chapter 1 - Introduces you to the equipment and gives you information such as weight and dimensions used and general theory of operation including technical principles of operation.
- Chapter 2 - Provides information necessary to identify and service the equipment. Operating instructions in this chapter tell you how to use the equipment in usual and unusual conditions.
- Chapter 3 - Provides operator troubleshooting procedures for identifying common equipment malfunctions and maintenance procedures for performing operator maintenance tasks.
- Chapter 4 - Provides unit maintenance personnel with procedures for lubrication and service upon receipt of equipment and instructions for performing repairs on equipment as authorized by the maintenance allocation chart.
- Chapter 5 - Provides direct support maintenance personnel with instructions for performing repairs on equipment as authorized by the maintenance allocation chart.

- Appendix A - Provides a list of frequently used forms and publications referenced or used in this manual.
- Appendix B - The maintenance allocation chart identifies repairable components and the maintenance level authorized to perform the repairs.
- Appendix C - Lists components of end item and basic issue items to help you inventory.
- Appendix D - Lists additional items that you are authorized for the support of the TPT.
- Appendix E - Lists expendable and durable items needed to operate and maintain the TPT.
- Appendix F - Lists manuals for specific component lubrication.
- Appendix G - Provides you with instructions for making items authorized to be manufactured or fabricated at unit, direct support, or general support maintenance.
- Appendix H - Lists maintenance procedures for specific component torque requirements.
- Appendix I - Mandatory replacement parts list.

- Glossary - Lists terms and abbreviations used in this manual and their definitions.

- Index - Lists subject matter contained in manual in alphabetical order.

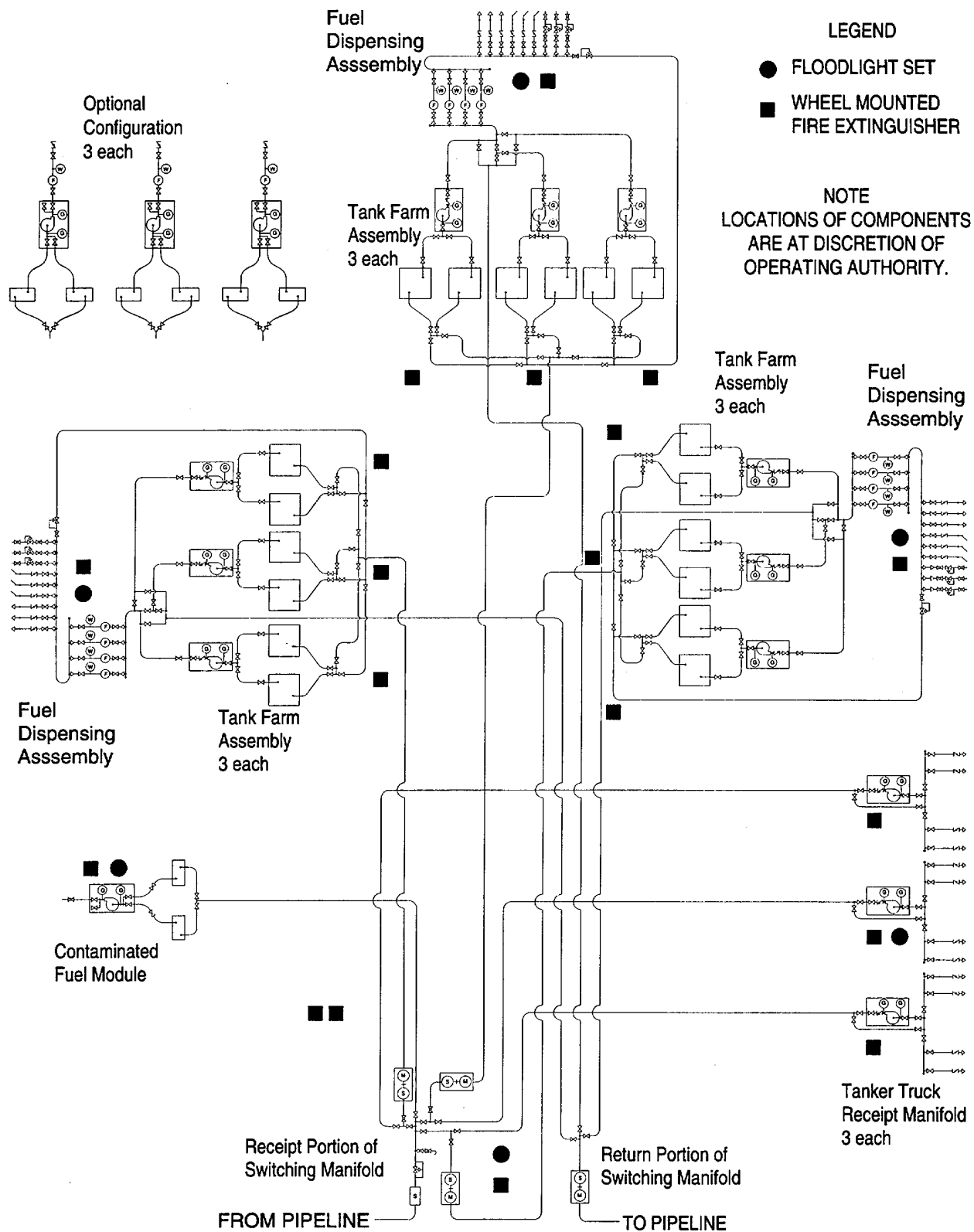


Figure 1-0. Tactical Petroleum Terminal

CHAPTER 1 INTRODUCTION

Section I. GENERAL INFORMATION

1-1. SCOPE.

- a. Type of manual: Operator, unit, and direct support maintenance manual.
- b. Model number and equipment name: Tactical Petroleum Terminal, Model TPT-1.
- c. Purpose of equipment: The equipment covered by this manual is intended for receipt, bulk storage, and distribution of petroleum fuels and makes up the Tactical Petroleum Terminal portion of the Inland Petroleum Distribution System.

1-2. MAINTENANCE FORMS AND PROCEDURES.

Department of the Army forms and procedures used for equipment maintenance will be those prescribed by DA Pam 738-750 as contained in the Maintenance Management Update.

1-3. CORROSION PREVENTION AND CONTROL (CPC).

- a. Corrosion Prevention and Control (CPC) of Army materiel is a continuing concern. It is important that any corrosion problems with this item be reported so that the problem can be corrected and improvements can be made to prevent the problem in future items.
- b. While corrosion is typically associated with rusting of metals, it can also include deterioration of other materials, such as rubber and plastic. Unusual cracking, softening, swelling, or breaking of these materials may be a corrosion problem.
- c. If a corrosion problem is identified, it can be reported using Standard Form 368, Product Quality Deficiency Report. Use of keywords such as "corrosion," "rust," "deterioration," or "cracking" will ensure that the information is identified as a CPC problem.
- d. The form should be submitted to the address specified in DA PAM 738-750.

1-4. DESTRUCTION OF ARMY MATERIEL TO PREVENT ENEMY USE

Refer to TM 750-244-3 (Destruction of Army Materiel to Prevent Enemy Use).

1-5. REPORTING EQUIPMENT IMPROVEMENT RECOMMENDATION (EIR).

If your Tactical Petroleum Terminal equipment needs improvement, let us know. Send us an EIR. You, the user, are the only one who can tell us what you don't like about your equipment. Let us know why you don't like the design or performance. Put it on SF 368 (Product Quality Deficiency Report). Mail it to us at Commander, U.S. Army Aviation and Troop Command, ATTN: AMSAT-I-MDO, 4300 Good fellow Blvd., St. Louis, MO 63120-1798. We will send you a reply.