

TM 11-6625-1559-45/2

TECHNICAL MANUAL

GS AND DEPOT MAINTENANCE MANUAL

**GENERATOR, SIGNAL SWEEP AN/USM-203
(ILLUSTRATIONS)**

HEADQUARTERS, DEPARTMENT OF THE ARMY

JANUARY 1971

GS and Depot Maintenance Manual
GENERATOR, SIGNAL SWEEP AN/USM-203
(ILLUSTRATIONS)

	Paragraph	Page
CHAPTER 1. INTRODUCTION -----	1-1, 1-2	3
	Title	Page
Sweep Generator SG-593/U, block diagram -----	1-1	4
Voltage and resistance measurements, power supply -----	2-1	5
Voltage and resistance measurements, ALC, blanking, and meter amplifier subassembly-----	2-2	6
Voltage and resistance measurements, harmonic marker generator subassembly -----	2-3	7
Voltage and resistance measurements, preamplifier and marker amplifier subassembly-----	2-4	8
Sweep Generator SG-593/U waveforms -----	2-5	9
Sweep Generator SG593/U, top view, cabinet removed -----	2-6	10
Sweep Generator SG-593/U, top view, sweep head and subassemblies removed -----	2-7	11
Sweep Generator SG-593/U, bottom view, cabinet removed -----	2-8	12
ALC, blanking and meter amplifier subassembly, interior view -----	2-9	13
Harmonic marker generator subassembly, interior view-----	2-10	14
Preamplifier and marker amplifier subassembly, interior view-----	2-11	15
Special tools -----	3-1	16
Generator, Signal Sweep SG-593/U, exploded view-----	3-2	18
RF detector RF-231/U and UHF-ALC detector assembly, interior view-----	3-3	20
VHF mixer and VHF-ALC detector subassembly, side interior view-----	3-4	21
VHF mixer and VHF-ALC detector subassembly, bottom interior view-----	3-5	22
Fixed oscillator subassembly, interior view-----	3-6	23
Sweep oscillator compartment of sweep head, interior view-----	3-7	24
Sweep head, exploded view-----	3-8	26
Sweep head removed from sweep generator-----	3-9	28
Sweep head in alignment jig-----	3-10	29
FREQUENCY MEGAHERTZ control gear assembly, exploded view-----	3-11	30
SWEEP WIDTH switch assembly, exploded view -----	3-12	31
Sweep head removed from sweep generator showing lubrication points and wobulator adjustment points-----	3-13	32
16-MHz cutoff filter, schematic diagram-----	3-14	32
15-MHz bandpass filter, schematic diagram-----	3-15	33
Test connections for alignment of mixer high-pass filter-----	3-16	33
Mixer high-pass filter response curve-----	3-17	33
Mixer low-pass filter response curve-----	3-18	33
Test connections for alignment of mixer to eliminate spurious beats-----	3-19	34
16-MHz cutoff filter response curve (no reference attenuation) -----	3-20	34
16-MHz cutoff filter response curve prior to mixer balancing (30-db reference attenuation) -----	3-21	34
15-MHz bandpass filter response curve -----	3-22	35
Internal marker test connections -----	4-1	35
External marker test connections -----	4-2	36
Frequency range and sweep width test connections -----	4-3	36
Frequency range and sweep width test response curves-----	4-4	37
Frequency linearity test oscilloscope presentation-----	4-5	38
Output voltage test connections-----	4-6	38
Output meter calibration curve-----	4-7	39
Output voltage variation test connections -----	4-8	39
Output voltage variation test oscilloscope presentation -----	4-9	40
Spurious beats and harmonics test connections-----	4-10	41
Oscilloscope display using 15-MHz bandpass filter-----	4-11	41

Title	Fig. No.	Page
RF attenuator test connections -----	4-12	42
Horizontal deflection voltage test connections -----	4-13	42
Resistance-capacitor color code chart -----	4-14	43
UHF sweep oscillator circuits, simplified schematic -----	4-15	45
VHF circuits, simplified schematic -----	4-16	47
ALC amplifier and blanking circuits, simplified schematic -----	4-17	49
Oscilloscope preamplifier and detector RF-231/U, simplified schematic -----	4-18	51
RF circuits, simplified schematic -----	4-19	53
ALC, blanking, and meter amplifier, schematic diagram -----	4-20	55
Preamplifier and marker amplifier, schematic diagram -----	4-21	57
Harmonic marker generator, schematic diagram -----	4-22	59
Power supply, schematic diagram -----	4-23	61
Interconnection cabling schematic diagram -----	4-24	63
Front panel, pictorial wiring diagram -----	4-25	65
Power supply, pictorial wiring diagram -----	4-26	67
Transformer and frequency changing plugs, pictorial wiring diagram -----	4-27	69
Harmonic marker generator, pictorial wiring diagram -----	4-28	70
Preamplifier and marker amplifier, pictorial wiring diagram -----	4-29	71
ALC, blanking and meter amp, pictorial wiring diagram -----	4-30	73
Mixer, pictorial wiring diagram -----	4-31	74
Sweep oscillator, pictorial wiring diagram -----	4-32	75
VHF-ALC detector, pictorial wiring diagram -----	4-33	76
RF detector RF-231/U, pictorial wiring diagram -----	4-34	77
Marker mixer, pictorial wiring diagram -----	4-35	77
Fixed oscillator, pictorial wiring diagram -----	4-36	78

CHAPTER 1

INTRODUCTION

1-1. Scope

This manual contains all the illustrations for TM 11-6625-1559-45/1 and TM 11-6625-1559-45P. The illustrations are numbered in accordance with the chapters in which they are used in TM 11-6625-1559-45/1.

1-2. Forms and Records

For applicable forms and records, refer to paragraph 1-3, TM 11-6625-1559-12.

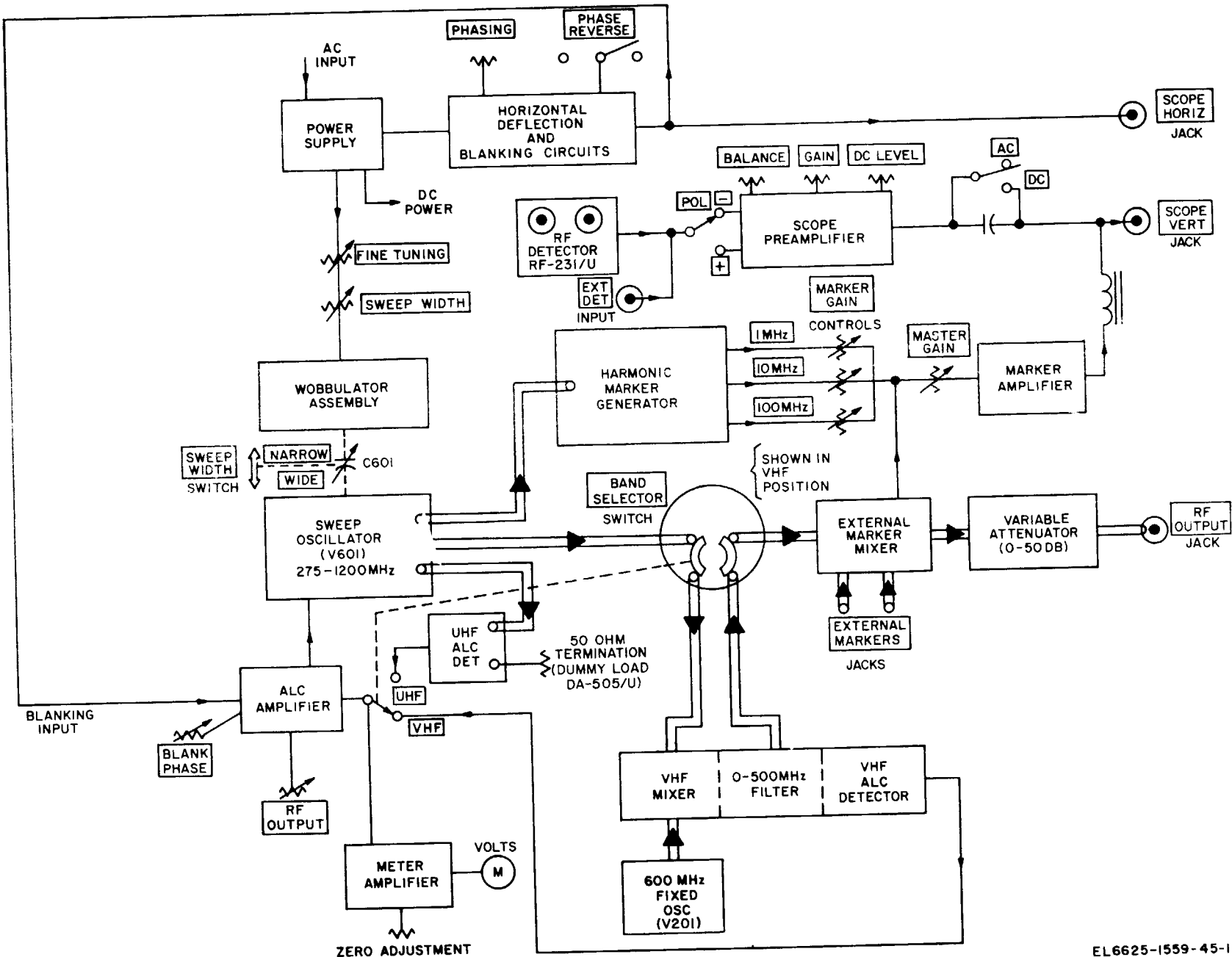


Figure 1-1. Sweep Generator SG-595/U, block diagram.

EL 6625-1559-45-1