

TECHNICAL MANUAL
OPERATOR'S, ORGANIZATIONAL, DIRECT
SUPPORT, AND GENERAL
SUPPORT MAINTENANCE MANUAL
RADIO
TEST SET
AN/PRM-32A
(NSN 6625-01-013-9900)

Operator's, Organizational, Direct Support, and

General Support Maintenance Manual

RADIO TEST SET AN/PRM-32A

(NSN 6625-01-013-9900)

REPORTING OF ERROES

You can improve this manual by recommending improvements using DA Form 2028-2 located in the back of the manual. Simply tear out the self-addressed form, fill it out as shown on the sample, fold it where shown, and drop it in the mail.

If there are no blank DA form 2028-2 in the back of your manual, use the standard DA Form 2028 (Recommended Changes to Publications and Blank Forms) and forward it to Commander, US Army Communications and Electronics Materiel Readiness Command, ATTN: DRSEL-ME-MQ, Fort Monmouth, NJ 07703. A reply will be furnished direct to you.

	Paragraph	Page
CHAPTER 1. INTRODUCTION		
Section I. General		
scope	1-1	1-1
Indexes of publications	1-2	1-3
Forms and records	1-3	1-3
Destruction of Army materiel to prevent enemy use	1-4	1-3
Administrative storage	1-5	1-3
Calibration	1-6	1-3
Reporting equipment improvement recommendations	1-7	1-3
II. Description and data		
Purpose and use	1-8	1-3
Description	1-9	1-3
Tabulated data	1-10	1-4
Items comprising inoperable Radio Test Set AN/PRM-32A.	1-11	1-4
Additional equipment required	1-12	1-4
CHAPTER 2. OPERATING INSTRUCTIONS		
Section I. Service upon receipt of equipment		
General	2-1	2-1
Unpacking	2-2	2-1
Checking unpacked equipment	2-3	2-1
Installation instructions	2-4	2-1
II. Controls and instruments		
Damage from improper settings.	2-5	2-1
Operator's controls	2-6	2-1
III. Operation under usual conditions		
Introduction	2-7	2-2
Test setup	2-8	2-2
AN/PRC-90Tests	2-9	2-4
AN/PRC-106Tests	2-10	2-6
IV. Operation under unusual conditions		
Introduction	2-11	2-7

		Paragraph	Page
	Procedure after testing	2-12	2-7
	Lubrication after testing	2-13	2-8
CHAPTER 3.	ORGANIZATIONAL MAINTENANCE		
Section I.	Tools, test equipment and materials		
	Scope of maintenance	3-1	3-1
	Tools and test equipment required	3-2	3-1
	Materials required for maintenance	3-3	3-1
Section II.	Repainting and refinishing		
	Touchup painting instructions	3-4	3-1
	Painting and refinishing precautions	3-5	3-1
Section III.	Preventive maintenance checks and services		
	General	3-6	3-2
	Cleaning	3-7	3-2
	Organizational troubleshooting	3-8	3-3
Section IV.	Maintenance		
	General	3-9	3-3
	Replacement procedures	3-10	3-3
CHAPTER 4.	FUNCTIONING OF EQUIPMENT		
	Introduction	4-1	4-1
	Functioning of equipment	4-2	4-1
CHAPTER 5.	GENERAL SUPPORT MAINTENANCE		
Section I.	General		
	Scope of maintenance	5-1	5-1
	Tools and test equipment required	5-2	5-1
	Physical inspection	5-3	5-1
Section II.	Troubleshooting		
	General	5-4	5-2
	Checkout procedures	5-5	5-2
	Troubleshooting procedures	5-6	5-2
Section III.	Maintenance of Radio Test Set AN/PRM-32A		
	General	5-7	5-3
	Removal of major components	5-8	5-3
	Repair procedures	5-9	5-11
	Fabrication of replacement parts	5-10	5-11
	Replacement of major components	5-11	5-12
Section IV.	Testing and calibration		
	Testing	5-12	5-13
	Calibration	5-13	5-13
APPENDIX A.	REFERENCES		
	B. MAINTENANCE ALLOCATION		
Section I.	Introduction		
Section II.	Maintenance allocation chart		
Section III.	Tool and test equipment requirements		
Section IV.	Remarks		

LIST OF ILLUSTRATIONS

Figure	Title	Page
1-1	Radio Test Set AN/PRM-32A	1-2
2-1	Antenna removal	2-3
2-2	Test set operational test, setup	2-4
4-1	Radio Test Set AN/PRM-32A, schematic diagram	4-2
5-1	Radio Test Set AN/PRM-32A, parts identification	5-4
5-2	Cover assembly parts identification	5-5
5-3	Panel assembly parts identification	5-6
5-4	Case assembly parts identification	5-7
5-5	Shielded box assembly parts identification	5-8
5-6	Radio Test Set AN/PRM-32A, wiring diagram	5-10
5-7	Rubber channel fabrication details	5-11

5-8	Antenna wire fabrication details	Page
FO-1	MIL-STD resistor, inductor, and capacitor color code markings.	5-12

LIST OF TABLES

<i>Table No.</i>	<i>Title</i>	<i>P</i>
1-1	Radio Teat Set AN/PRM-32A Characteristics.	1-4
1-2	Items Comprising an Operable Radio Test Set AN/PRM-32A.	1-4
2-1	Radio Test set AN/PRM-32A Controls, Indicators, and Connectors	2-2
3-1	Organizational Preventive Maintenance Checks and Services	3-2
5-1	Physical Inspection	5-1
5-2	Operational Check	5-2
5-3	Troubleshooting Procedure.	5-3

CHAPTER 1

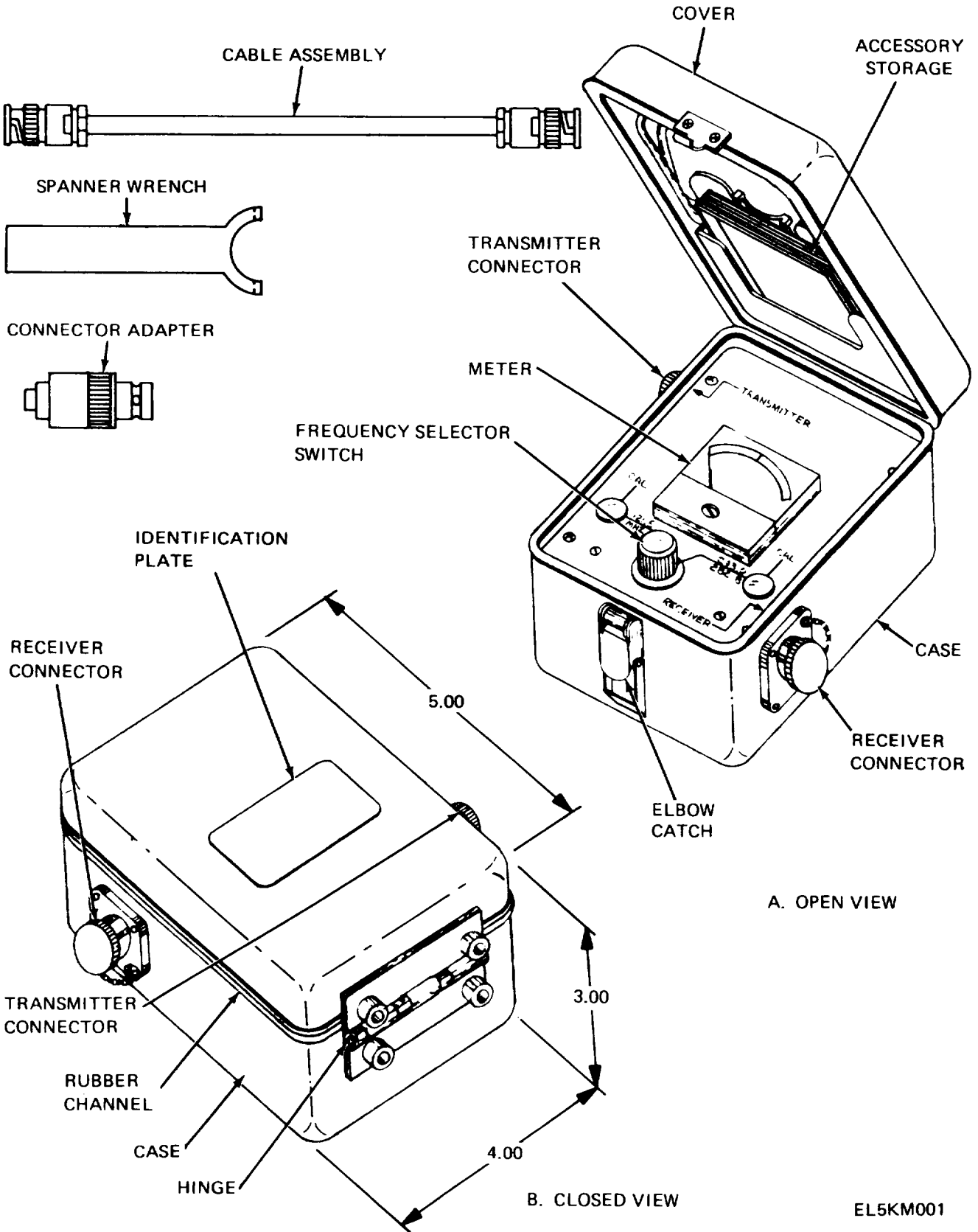
INTRODUCTION

Section I. GENERAL

1-1. Scope

a. This manual covers operation, organizational, and general support maintenance of Radio Test Set AN/PRM-32A (fig. 1-1). The manual includes

instructions for operating, organizational maintenance, testing and servicing procedures, and general support maintenance and repair of Radio Test Set AN/PRM-32A (test set).



A. OPEN VIEW

B. CLOSED VIEW

EL5KM001

Figure 1-1. Radio Test Set AN/PRM-32A.