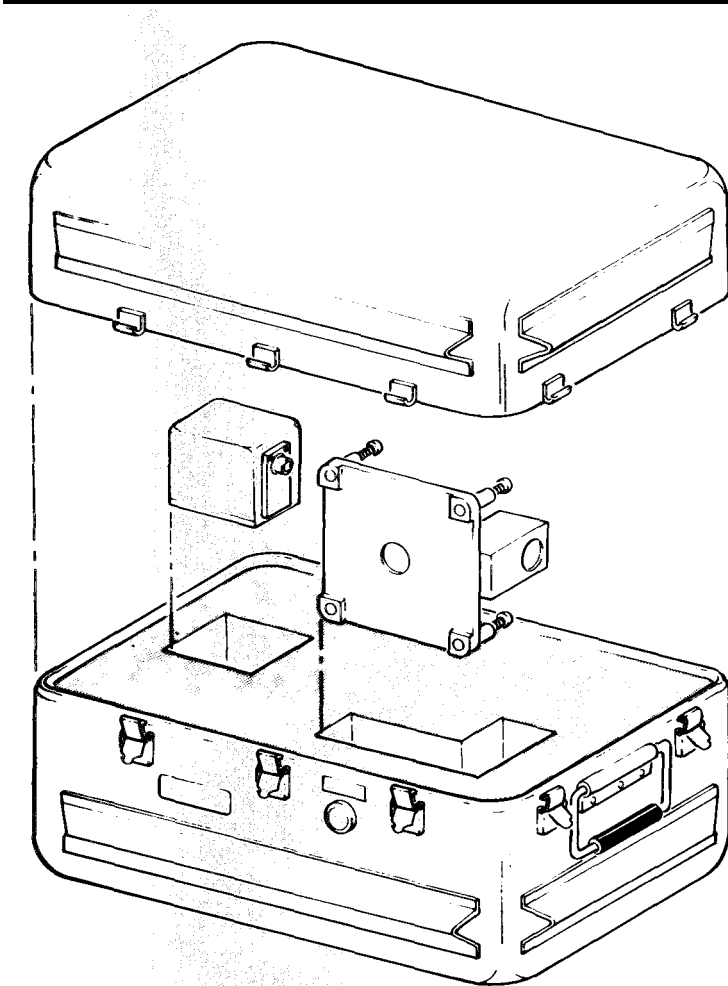


TM 11-6625-2685-10

OPERATOR'S MANUAL



**INTRODUCTION
PAGE 1-1**

**OPERATING
INSTRUCTIONS
PAGE 2-1**

**AIRBORNE LASER TRACKER
ALIGNMENT SET AN/AAM-56
(NSN 5860-01-070-3843)**

HEADQUARTERS, DEPARTMENT OF THE ARMY

26 MARCH 1984

Technical Manual

HEADQUARTERS
DEPARTMENT OF THE ARMY
Washington, DC, 26 March 1984

No. 11-6625-2685-10

**OPERATOR'S MANUAL
AIRBORNE LASER TRACKER ALIGNMENT SET,
AN/AAM-56
(NSN 5860-01-070-3843)**

REPORTING ERRORS AND RECOMMENDING IMPROVEMENTS

You can help improve this manual. If you find any mistakes or if you know of a way to improve the procedures, please let us know. Mail your letter, DA Form 2028 (Recommended Changes to Publications and Blank Forms), or DA Form 2028-2 located in back of this manual direct to: Commander, US Army Communications — Electronics Command and Fort Monmouth ATTN: DRSEL-ME-MP Fort Monmouth, New Jersey, 07703. A reply will be furnished to you.

		Paragraph	Page
CHAPTER 1	INTRODUCTION		1-1
Section I	General Information		1-1
	Scope	1-1	1-1
	Maintenance Forms, Records, and Reports	1-2	1-2
	Reporting Equipment Improvement Recommendations (EIR)	1-3	1-2
	Nomenclature Cross-Reference	1-4	1-2
II	Equipment Description		1-3
	Equipment Data	1-5	1-3
	Functional Description of Components	1-6	1-4
CHAPTER 2	OPERATING INSTRUCTIONS		2-1
Section I	Description and Use of Operator's Controls and Indicators		2-1
II	Preventive Maintenance Checks and Services (PMCS)		2-2
	General	2-1	2-2
	Operation Under Usual Conditions General	2-2	2-4
	Unpacking and Preparation for Use	2-3	2-4
	Checking Unpacked Equipment	2-4	2-4
APPENDIX A	REFERENCES		A-1

LIST OF ILLUSTRATIONS

Number	Title	Page
1-1	Airborne Laser Tracker Alignment Set, AN/AAM-56	1-1
1-2	Alignment Set Components	1-4
2-1	Operator's Controls and Indicators	2-1

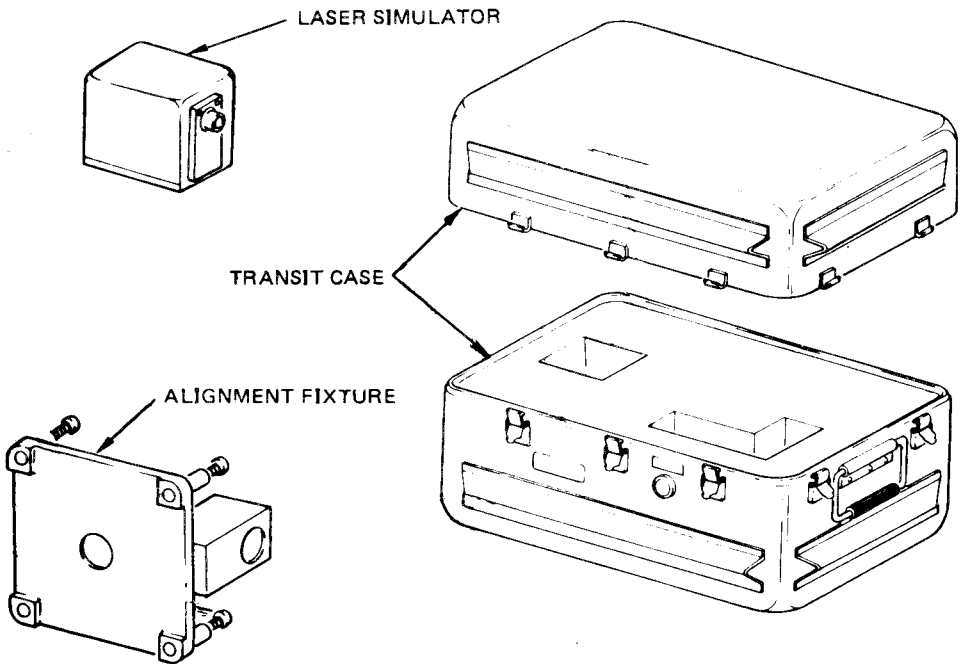
LIST OF TABLES

Number	Title	Page
1-1	Nomenclature Cross Reference	1-2
1-2	Alignment Set Component Functions	1-4
2-1	Description of Operator's Controls and Indicators	2-1
2-2	Preventive Maintenance Checks and Services (PMCS)	2-3

CHAPTER 1

INTRODUCTION

Section I. GENERAL INFORMATION



EL8TU001

Figure 1-1. Airborne Laser Tracker Alignment Set, AN/AAM-56.

1-1. Scope

a. This manual contains operator information for the Airborne Laser Tracker (ALT) Alignment Set, AN/AAM-56.

b. The alignment set (fig. 1-1) is used to ensure that the ALT tracks with the Telescopic Sight Unit (TSU).

1-2. Maintenance Forms, Records, and Reports

Department of the Army forms and procedures used for equipment maintenance will be those prescribed by DA Pam 738-750 as contained in maintenance management update.

1-3. Reporting Equipment Improvement Recommendations (EIR)

If your alignment set needs improvement, let us know. Send us an EIR. You, the user, are the only one who can tell us what you don't like about your equipment. Let us know why you don't like the design. Put it on an SF 368 (Quality Deficiency Report). Mail it to Commander, US Army Communications - Electronics Command and Fort Monmouth, ATTN: DRSEL-ME-MP, Fort Monmouth, New Jersey 07703, We'll send you a reply.

1-4. Nomenclature Cross-Reference

Official and common nomenclature is listed in table 1-1.

Table 1-1. Nomenclature Cross-Reference

Official Nomenclature	Common Name
Alignment Set, Airborne Laser Tracker AN/AAM-56	Alignment Set
Alignment Fixture, Receiver Tracker Mount MX-9624/AAM-56	Alignment Fixture
Simulator, Laser SM-706/AAM-56	Laser Simulator
Case, Alignment Set CY-7477/AAM-56	Transit Case
Airborne Laser Tracker AN/AAS-32	Airborne Laser Tracker