

TM 11-6625-2685-23

**ORGANIZATIONAL AND DIRECT SUPPORT
MAINTENANCE MANUAL**

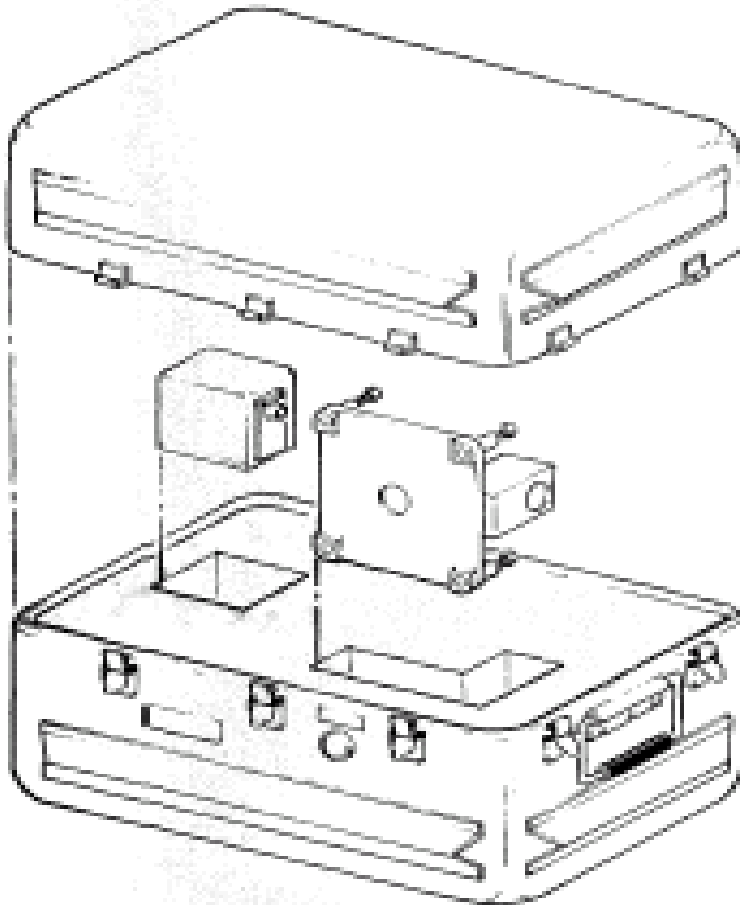


TABLE OF
CONTENT
PAGE i

INTRODUCTION
PAGE 1-1

ORGANIZATIONAL
MAINTENANCE
PAGE 2-1

DIRECT
SUPPORT
MAINTENANCE
PAGE 3-1

APPENDIX
PAGE A-1

**AIRBORNE LASER TRACKER
ALIGNMENT SET AN/AAM-56
(NSN 5860-01-070-3843)**

HEADQUARTERS, DEPARTMENT OF THE ARMY

4 JUNE 1984

Technical Manual

No. 11-6625-2685-23

HEADQUARTERS
DEPARTMENT OF THE ARMY
Washington, DC, 4 June 1984

**ORGANIZATIONAL AND DIRECT
SUPPORT MAINTENANCE
AIRBORNE LASER TRACKER ALIGNMENT SET
AN/AAM-56
(NSN 5860-01-070-3843)**

REPORTING ERRORS AND RECOMMENDING IMPROVEMENTS

You can help improve this manual. If you find any mistakes or if you know of a way to improve the procedures, please let us know. Mail your letter, DA Form 2028 (Recommended Changes to Publications and Blank Forms), or DA Form 2028-2 located in back of this manual direct to: Commander, US Army Communications — Electronics Command and Fort Monmouth ATTN: DRSEL-ME-MP, Fort Monmouth, New Jersey, 07703. A reply will be furnished to you.

		Paragraph	Page
CHAPTER 1	INTRODUCTION		1-1
Section I	General Information		1-1
	Scope	1-1	1-1
	Maintenance Forms, Records and Reports	1-2	1-2
	Reporting Equipment Improvement Recommendations (EIR)	1-3	1-2
	Nomenclature Cross-Reference	1-4	1-2
II	Equipment Description and Data		1-2
	Equipment Characteristics, Features, and Capabilities	1-5	1-2
	Location and Description of Alignment Set Components	1-6	1-3
	Equipment Data	1-7	1-4
CHAPTER 2	ORGANIZATIONAL MAINTENANCE		2-1
Section I	Repair Parts, Special Tools, Test, Measurement, and Diagnostic Equipment (TMDE); and Support Equipment		2-1
	Common Tools and Equipment	2-1	2-1
	Special Tools, TMDE, and Support Equipment	2-2	2-1
	Repair Parts	2-3	2-1
II	Service Upon Receipt		2-1
	Unpacking	2-4	2-1
	Checking Unpacked Equipment	2-5	2-1
III	Preventive Maintenance Checks and Services (PMCS)		2-2
	General	2-6	2-2
IV	Organizational Troubleshooting Procedure		2-3
	Alignment Set Troubleshooting Procedure	2-7	2-3

CHAPTER 3	DIRECT SUPPORT MAINTENANCE		3-1
Section I	Repair Parts, Special Tools; Test Measurement, and Diagnostic Equipment (TMDE) and Support Equipment		3-1
	Common Tools and Equipment	3-1	3-1
	Special Tools, TMDE, and Support Equipment	3-2	3-1
	Repair Parts	3-3	3-1
II	Service Upon Receipt		3-1
	Packing/Unpacking	3-4	3-1
	Checking Unpacked Equipment	3-5	3-1
III	Troubleshooting Procedure		3-2
	Alignment Set Troubleshooting	3-6	3-2
IV	Maintenance Procedures		3-8
	Replacing Battery	3-7	3-8
	Replacing Battery Test Lamp	3-8	3-9
	Replacing Circuit Card	3-9	3-9
	Cleaning Laser Simulator Lens	3-10	3-11
	Removing Laser Simulator Cover Assembly	3-11	3-11
	Installing Laser Simulator Cover Assembly	3-12	3-11
	Replacing Laser Simulator Mode Switch	3-13	3-12
	Replacing Laser Simulator Battery Test Indicator	3-14	3-13
	Replacing Laser Simulator Battery Holder Terminal Assembly	3-15	3-14
	Replacing Laser Simulator Battery Cap, Spring, and O-Ring	3-16	3-15
	Replacing Laser Simulator Battery Contact Assembly	3-17	3-16
	Replacing Alignment Fixture Captive Screw Assemblies	3-18	3-17
APPENDIX A	REFERENCES		A-1
B	MAINTENANCE ALLOCATION CHART		B-1
C	EXPENDABLE SUPPLIES AND MATERIALS LIST (ESML)		C-1
GLOSSARY		Glossary 1

LIST OF ILLUSTRATIONS

Number	Title	Page
1-1	Airborne Laser Tracker Alignment Set, AN/AAM-56	1-1
1-2	Alignment Set Components	1-3
3-1	Laser Simulator Battery	3-8
3-2	Battery Test Lamp	3-9
3-3	Circuit Card	3-10
3-4	Laser Simulator Cover Assembly	3-11
3-5	Laser Simulator Mode Switch	3-12
3-6	Laser Simulator Battery Test Indicator	3-13
3-7	Laser Simulator Battery Terminal Assembly	3-14
3-8	Laser Simulator Battery Cap	3-15
3-9	Laser Simulator Battery Contact Assembly	3-16
3-10	Alignment Fixture	3-17
FO-1	Test Point and Test Switch Location	
FO-2	Laser Simulator Schematic	

LIST OF TABLES

Number	Title	Page
1-1	Nomenclature Cross-Reference	1-2
2-1	Preventive Maintenance Checks and Services (PMCS)	2-2
2-2	Alignment Set Troubleshooting Procedure	2-3
3-1	Laser Simulator Fault Symptom Chart	3-2
3-2	Laser Simulator Troubleshooting	3-3

CHAPTER 1

INTRODUCTION

Section 1. GENERAL INFORMATION

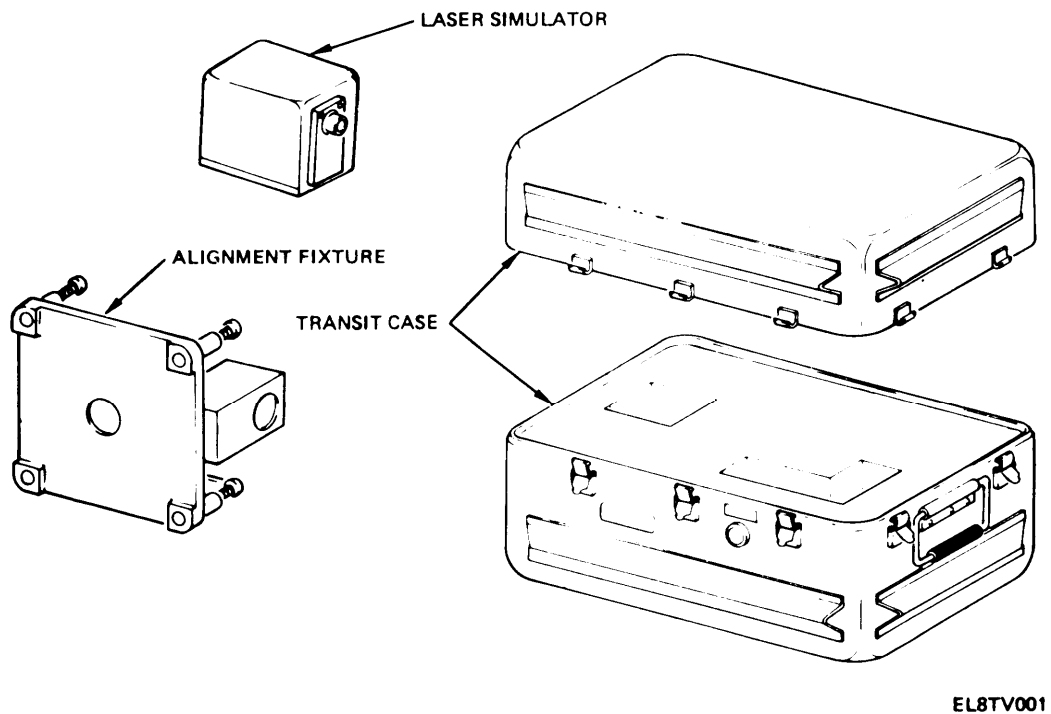


Figure 1-1. Airborne Laser Tracker Alignment Set, AN/AAM-56.

1-1. Scope

a. The purpose of this manual is to tell you how to maintain the Airborne Laser Tracker Alignment Set (ALT), AN/AAM-56.

b. The Alignment Set (fig. 1-1) is used to ensure that the ALT tracks with the Telescopic Unit (TSU).

1-2. Maintenance Forms, Records, and Reports

Department of the Army forms and procedures used for equipment maintenance will be those prescribed by DA Pam 738-750 as contained in Maintenance Management Update.

1-3. Reporting Equipment Improvement Recommendations (EIR)

If your alignment set needs improvement, let us know. Send us an EIR. You, the user, are the only one who can tell us what you don't like about your equipment. Let us know why you don't like the design. Put it on an SF 368 (Quality Deficiency Report), Mail it to Commander, US Army Communications — Electronics Command and Fort Monmouth, ATTN: DRSEL-ME-MP, Fort Monmouth, New Jersey 07703. We'll send you a reply.

1-4. Nomenclature Cross-Reference

Official and common nomenclature is listed in table 1-1.

Table 1-1. Nomenclature Cross-Reference

Official Nomenclature	Common Name
Alignment Set, Airborne Laser Tracker AN/AAM-56	Alignment Set
Alignment Fixture, Receiver Tracker Mount MX-9624/AAM-56	Alignment Fixture
Simulator, Laser SM-706/AAM-56	Laser Simulator
Case, Alignment Set CY-7477/AAM-56	Transit Case
Airborne Laser Tracker AN/AAS-32	Airborne Laser Tracker (ALT)

Section II. EQUIPMENT DESCRIPTION AND DATA

1-5. Equipment Characteristics, Features, and Capabilities

- a. The characteristics and features of the alignment set are as follows:
 - (1) The alignment set is portable.
 - (2) Calibration is not required.
 - (3) Does not require an external power source.
- b. The laser simulator, part of the alignment set, is used to ensure that the ALT will track with the TSU.