

## OPERATORS, ORGANIZATIONAL, DIRECT SUPPORT AND GENERAL SUPPORT MAINTENANCE MANUAL

This publication is required for official use, or for administrative or operational purposes only. Distribution is limited to US Government Agencies. Other requests for this document must be referred to Commander, US Army Communications-Electronics Command and Fort Monmouth, ATTN: AMSEL-ME-P, Fort Monmouth, NJ 07703-5007.

# PROCESSOR TEST SET AN/APM-415A (NSN 6625-01-147-4741)

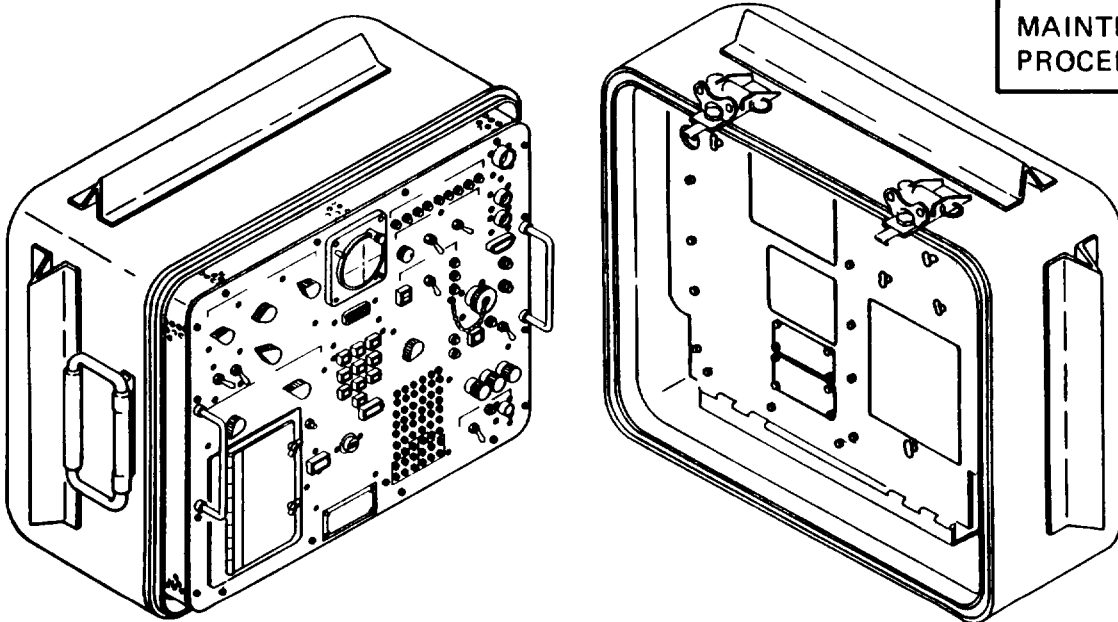
FUNCTIONING  
OF EQUIPMENT

OPERATING  
INSTRUCTIONS

ELECTRICAL CHECK  
PROCEDURES

TROUBLESHOOTING  
PROCEDURES

MAINTENANCE  
PROCEDURES



HEADQUARTERS, DEPARTMENT OF THE ARMY  
15 JANUARY 1986

TECHNICAL MANUAL  
No. 11-6625-2940-14

HEADQUARTERS  
DEPARTMENT OF THE ARMY  
Washington, DC, 15 January 1986

**OPERATOR'S, ORGANIZATIONAL,  
DIRECT SUPPORT AND GENERAL SUPPORT  
PROCESSOR TEST SET AN / APM-415A  
(NSN 6625-01-147-4741)**

**REPORTING ERRORS AND RECOMMENDING IMPROVEMENTS**

You can help improve this manual. If you find any mistakes or if you know of a way to improve the procedures, please let us know. Mail your letter, DA Form 2028 (Recommended Changes to Publications and Blank Forms), or DA Form 2028-2, located in back of this manual, directly to: Commander, US Army Communications - Electronics Command and Fort Monmouth, ATTN: AMSEL-ME-MP, Fort Monmouth, New Jersey 07703-5007. In either case, a reply will be furnished directly to you.

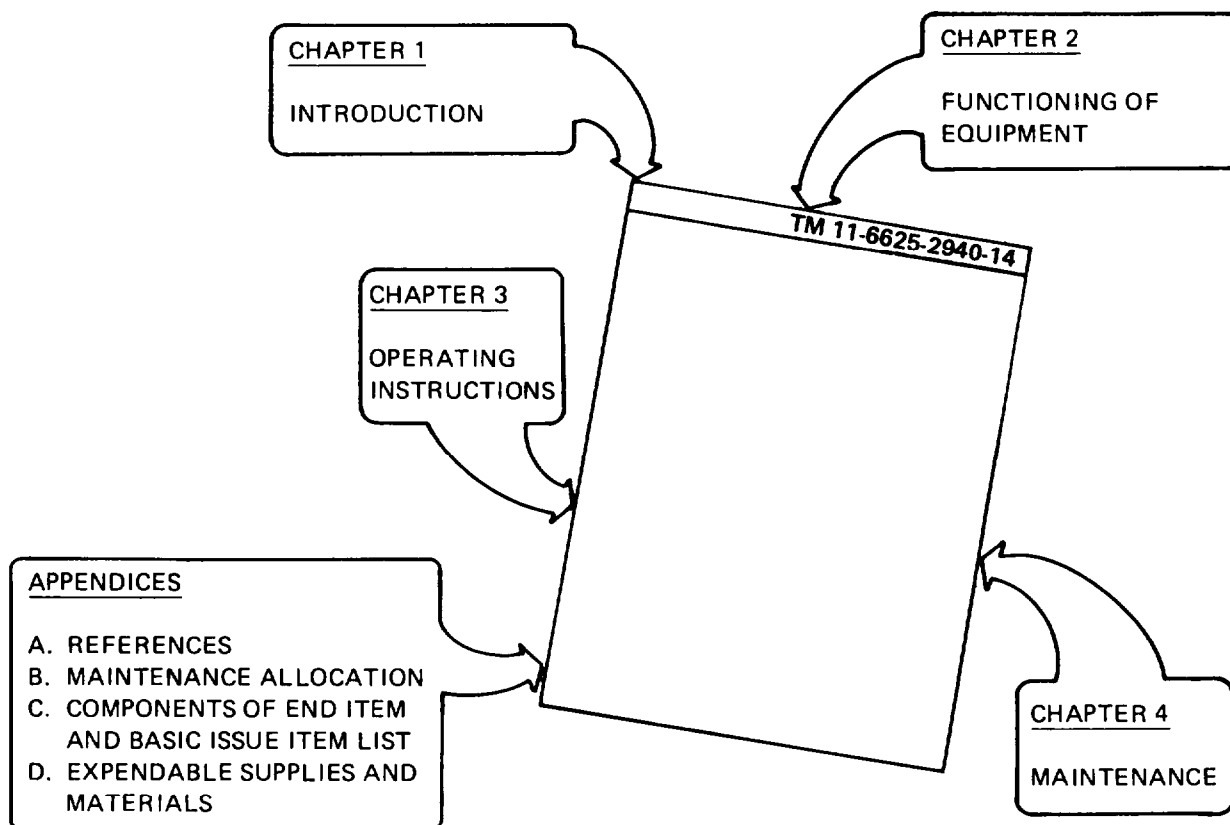
	Page
HOW TO USE THIS MANUAL . . . . .	ii
CHAPTER 1 INTRODUCTION . . . . .	1-1
Section I General Information . . . . .	1-1
II Equipment Description . . . . .	1-4
CHAPTER 2 FUNCTIONING OF EQUIPMENT . . . . .	2-1
Section I Overall Functional Discussion . . . . .	2-1
II Basic Functional Discussion . . . . .	2-7
III Detailed Functional Discussion . . . . .	2-30
CHAPTER 3 OPERATING INSTRUCTIONS . . . . .	3-1
Section I Description and Use of Controls and Indicators . . . . .	3-1
II Operation Under Usual Conditions.. . . . .	3-8
III Operation Under Unusual Conditions . . . . .	3-20
CHAPTER 4 MAINTENANCE . . . . .	4-1
Section I Introduction . . . . .	4-1
II Service Upon Receipt . . . . .	4-6
III Preventive Maintenance Checks and Services . . . . .	4-9
IV Electrical Check Procedures. . . . .	4-15
V Troubleshooting Procedures . . . . .	4-76
VI Maintenance Procedures . . . . .	4-262
VII Destruction of Army Electronics Material . . . . .	4-357
VIII Administrative Storage, . . . . .	4-359
APPENDIX A REFERENCES . . . . .	A-1
APPENDIX B MAINTENANCE ALLOCATION CHART . . . . .	B-1
APPENDIX C COMPONENTS OF END ITEM AND BASIC ISSUE ITEM LISTS . . . . .	C-1
APPENDIX D EXPENDABLE SUPPLIES AND MATERIALS LIST . . . . .	D-1
GLOSSARY . . . . .	G-1

## HOW TO USE THIS MANUAL

This manual tells about operating and maintaining Processor Test Set AN/APM-415A at the Aviation Intermediate and Unit Maintenance levels.

Use the front cover locators and 'marked' pages to quickly find the parts of the manual shown on the cover. These portions of the manual were chosen because they are used often. This manual has been divided into chapters, sections, and paragraphs which are numbered sequentially. Tables and figures are also numbered this way. In addition to this numbering system, you will find a system of captions in ORANGE print which will help you quickly find the information you need. These captions name the pieces of equipment and/or maintenance procedures that you will be doing. Some of the procedures may actually consist of several smaller procedures. For example, 'Removal,' 'Installation,' and 'Test after Repair' may be parts of a larger maintenance procedure. The captions for the smaller procedures appear under the captions for the larger ones. Both sets of captions appear on each page which describes the general procedure. Each large section begins with a 'Section Contents' which lists the procedures by title and page number.

Before you attempt to maintain Processor Test Set AN/APM-415A, it is important to familiarize yourself with this manual. Each of the four chapters is unique and you will save time if you know where to go for the information you need. Briefly, this is how this manual is organized:



TURN TO THE NEXT PAGE FOR EXAMPLES OF HOW YOU WILL BE USING THIS MANUAL

**HOW TO USE THIS MANUAL (Continued)****PROBLEM**

The equipment is "new" to you and you want to familiarize yourself with it quickly.

**SOLUTION**

Read "Equipment Description" - see chapter 1, section II.

**PROBLEM**

You have received new equipment. What do you do first?

**SOLUTION**

Unpack it, inspect it and check it out - see chapter 4, section II.

**PROBLEM**

Maintenance personnel bring you a processor test set which is defective or suspect. What do you do?

**SOLUTION**

Check it out, troubleshoot it, and replace defective assemblies if required - see chapter 4, section IV.

**PROBLEM**

You are unfamiliar with which Army forms and records are applicable to the equipment.

**SOLUTION**

Read chapter 1, section I.

# CHAPTER 1 INTRODUCTION

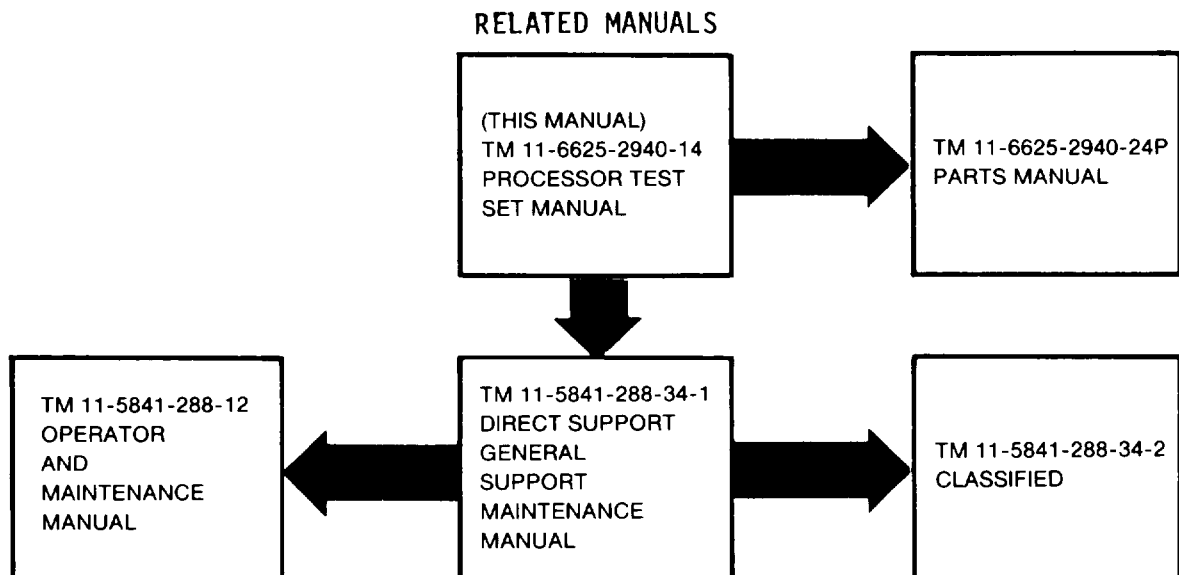
<u>CHAPTER CONTENTS</u>	<u>SECTION</u>	<u>PAGE</u>
GENERAL INFORMATION .....	I	1-1
EQUIPMENT DESCRIPTION .....	II	1-4

## SECTION 1 GENERAL INFORMATION

<u>SECTION CONTENTS</u>	<u>PAGE</u>
SCOPE .....	1-1
MAINTENANCE FORMS, RECORDS, AND REPORTS .....	1-2
REPORTING EQUIPMENT IMPROVEMENTS RECOMMENDATIONS (EIRs) .....	1-2
NOMENCLATURE CROSS-REFERENCE LIST .....	1-2
ABBREVIATIONS .....	1-3
USE OF METRIC MEASURING SYSTEM .....	1-3

### SCOPE

1-1. This manual covers the operation and maintenance of Processor Test Set AN/APM-415A, at the operator, organizational, direct support and general support level. The manual contains equipment description, test, fault isolation information and repair procedures for the processor test set. Refer to TM 11-6625-2940-24P for repair parts and special tools listings. Use this manual to keep up your skills and maintain the equipment in top operating order.



1-2. Maintenance Forms, Records, and Reports

a. *Reports of Maintenance and unsatisfactory Equipment.* Department of the Army forms and procedures used for equipment maintenance will be those prescribed by DA PAM 738-750 as contained in Army Maintenance Management Update.

b. *Report of Packaging and Handling Deficiencies.* Fill out and forward SF 364 (Report of discrepancy (ROD)) as prescribed in AR 735-11-2/DLAR 4140.55/NAVMATINST 4355.73AFR 400-54/MCO 4430.3F.

c. *Discrepancy in Shipment Report (DISREP) (SF 361).* Fill out and forward Discrepancy in Shipment Report (DISREP) (SF 361) as prescribed in AR 55-38/NAVSUPINST 4610.33C/AFR 75-18/MCO P4610. 19D/DLAR 4500.15.

1-3. Reporting Equipment Improvement Recommendations(EIR)

If your processor Test Set AN/APM-415A needs improvement, let us know. Send us an EIR. You, the user, are the only one who can tell us what you don't like about the design. Put it on an SF 368 (Quality Deficiency Report). Mail it to Commander, US Army Communications- Electronics Command and Fort Monmouth, ATTN: AMSEL-ME-MP, Fort Monmouth, New Jersey 07703-5007. We'll send you a reply.

<b>QUALITY DEFICIENCY REPORT (Category II)</b>	
<b>SECTION I</b>	
<b>1a. From (Originating point)</b>	<b>2a. To (Screening point)</b>
<b>1b. Typed Name, Duty Phone and Signature</b>	<b>2b. Typed Name, Duty Phone and Signature</b>
<b>25a. To (Support Point)</b>	<b>26a. To (Support Point)</b>
<b>25b. Typed Name, Duty Phone and Signature</b>	<b>26b. Typed Name, Duty Phone and Signature</b>

368-101 STANDARD FORM 368, April 1974  
General Services Administration (FPMR 101-26-7)

NOMENCLATURE CROSS-REFERENCE LIST

1-4. A cross reference of the official and common names of the equipment used in Processor Test Set AN/APM-415A is shown below. You will find that all references to these items are by the common names.

Official Name	Common Name
Processor Test Set AN/APM-415A	Test set
Processor Test Set TS-3706A/APM-415	PTS
Test Set Case CY-7712A/APM-415	Case
Test Adapter Assembly MX-9975/APM-415	Adapter MX
Test Cables W1 through W5	W1 through W5
Electrical Power Cable Assembly SM-C-933053	Power adapter
Magnetic Tape Cassette Transport	MTCT
Card Puller	Extractor
Programmed Tape Cassettes	Cassettes
Radar Signal Indicator IP-1150/APR-39(V)	Display