

COLOR, MARKING, AND CAMOUFLAGE
PAINTING OF MILITARY VEHICLES,
CONSTRUCTION EQUIPMENT
AND
MATERIALS HANDLING EQUIPMENT

Approved for Public Release; Distribution is Unlimited.

This copy is a reprint which includes current
pages from Change 1.

HEADQUARTERS. DEPARTMENT OF THE ARMY
31 OCTOBER 1990

TECHNICAL BULLETIN

*No. 43-0209

HEADQUARTERS
DEPARTMENT OF THE ARMY
Washington D.C., 31 October 1990

**COLOR, MARKING, AND CAMOUFLAGE
PAINTING OF MILITARY VEHICLES,
CONSTRUCTION EQUIPMENT,
AND MATERIALS HANDLING EQUIPMENT**

REPORTING ERRORS AND RECOMMENDING IMPROVEMENTS

You can help improve this manual. If you find any mistakes or if you know of a way to improve the procedures, please let us know. Mail your letter, DA Form 2028, Recommended Changes to Publications and Blank Forms, or DA Form 2028-2 located in back of this manual direct to: U.S. Army Tank-Automotive Command, ATTN: AMSTA-MBT, Warren, Michigan 48397-5000. A reply will be furnished to you.

Approved for Public Release; Distribution is Unlimited.

TABLE OF CONTENTS

	Paragraph	Page
SECTION I. GENERAL		1
Purpose	1	1
Scope	2	1
Exceptions	3	1
General	4	1
SECTION II. DESCRIPTION		1
Description of Markings	5	1
Description of Colors	6	2
SECTION III. IDENTIFICATION MARKINGS		3
Agency Identification and Registration Number	7	3
National Symbol	8	3
Unit Identification	9	3
Operational Markings	10	17

*This manual supersedes TB 43-0209, 29 October 1976.

TABLE OF CONTENTS

	Paragraph	Page
SECTION IV.	SAFETY MARKINGS	18
	Safety Markings.....	11 18
	Technical Markings	12 19
	Weight Classification	13 22
	Operation and Designation Plates.....	14 26
	Ambulance Markings-Tactical Use Vehicle	15 27
	Military Police Markings-Tactical Use Vehicles.....	16 30
SECTION V.	SAFETY SUMMARY	31
	General.....	17 31
	Fumes	17a 31
	Contact with Paint Materials.....	17b 31
	Fire	17c 31
	Safe Air.....	17d 31
	Safe Practices	17e 31
	Material Safety Data Sheets (MSDS).....	18 31
	Control Measures	19 32
	Medical Surveillance	20 33
	Disposal.....	21 33
	Specific Hazards	22 33
	Other Publications.....	23 33
SECTION VI.	CAMOUFLAGING PROCEDURES	34
	Camouflage Pattern Painting	24 34
	Reason for Pattern Painting	25 34
	Pattern Designs.....	26 34
	Preparation for Pattern Painting.....	27 36
	Outlining the Camouflage Pattern on the Vehicle	28 36
	Camouflage Painting.....	29 37
	Techniques of Mixing and Thinning	30 37
	Tips on Painting.....	31 38
	Tips on Painting with CARC.....	32 38
	Markings to be Applied to Equipment.....	33 38
SECTION VII.	VEHICLE CAMOUFLAGE PATTERNS	39
SECTION VIII.	COLOR FOR VEHICLE, CONSTRUCTION EQUIPMENT AND MATERIALS HANDLING EQUIPMENT	368
APPENDIX A.	REFERENCES	A-1
APPENDIX B.	NSN TABLES	B-1
APPENDIX C.	VEHICLE CAMOUFLAGE PATTERNS	C-1
APPENDIX D.	SPECIAL CARC-PAINTING REGULATIONS	D-1

SECTION I. GENERAL

1. PURPOSE.

a. This bulletin is published to implement AR 750-1 in defining the color marking and camouflage pattern painting requirements for Department of the Army military vehicles (except vehicles in administrative use), construction and highway maintenance equipment, and self-propelled materials handling equipment.

b. Special color and marking requirements for vehicles in administrative use are contained in AR 58-1.

2. SCOPE.

a. These instructions apply to all Department of the Army activities and installations using, maintaining or procuring such vehicles or equipment. Specific exceptions to normal color and marking requirements are identified in later sections of this bulletin.

b. Instructions for application of special technical markings not shown in these instructions are located in specific Department of the Army publications.

c. Vehicle and equipment painting instructions are contained in TM 43-0139.

3. EXCEPTIONS.

a. Vehicles used for intelligence, criminal investigation, and similar purposes requiring concealment of the true identity of the activity involved, may be painted and marked as deemed appropriate by the responsible commander. Identification of such vehicles will be marked in inconspicuous locations as prescribed in applicable Department of the Army publications.

b. Reporting Equipment Improvement Recommendations (EIR's): You can help improve this equipment by recommending design improvements and/or better service and repair procedures. EIR's will be prepared using SF 368, Quality Deficiency Report. Instructions for preparing EIR's are provided in DA Pam 738-750. Mail directly to: Commander, U.S. Army Tank-Automotive Command, ATTN: AMSTA-QRT, Warren, Michigan 48397-5000. A reply will be furnished to you.

4. GENERAL.

a. Markings that are not authorized, are not of the authorized style, or are not in approved location per this bulletin, will be changed or relocated at the time of vehicle repainting, or when the condition of the existing marking becomes unsuitable due to deterioration or damage.

b. Vehicles and equipment will be repainted only when required for preservation purposes, or at time of vehicle

overhaul, in colors authorized by this bulletin. Repainting will not be done merely to change color unless such is considered necessary for safety or security purposes by the responsible commander. Spot painting for preservation only will be the rule rather than the exception. Upon removal from storage to be issued or placed in service, vehicle and equipment will be marked as prescribed by these instructions.

c. Any new markings will conform to the requirements of this bulletin.

d. Markings, in addition to those prescribed or authorized in this bulletin, will be applied only on specific approval of the Department of the Army (paragraph 3a) or as identified in official Department of the Army publications.

e. Markings peculiar to any vehicle, or series of vehicles, will be applied as specified in this bulletin. Description, identification, and location of vehicle peculiar markings will be found in the appropriate vehicle technical manual.

f. Under tactical conditions, when it becomes necessary to conceal the markings, all such prominent markings may be covered with temporary paint (Paint, temporary, lusterless, gasoline removable MIL-P-13983) on authority of the responsible commander. Such markings may also be temporarily camouflaged by the use of oil, dirt, mud, or other readily removable substance.

SECTION II. DESCRIPTION

5. DESCRIPTION OF MARKINGS.

a. All letters and numerals used in the marking of vehicles and equipment will be of the gothic style illustrated in Figure 1. Thickness of the characters (stroke width) will be between 1/6 and 1/7In of their height.

b. All markings will be of the size shown and specified in this bulletin.

c. Permanent markings may be applied in the form of adhesive backed markers of the prescribed color, may be painted on when markers are unavailable, or when application must be made on canvas or other porous surface. Non-reflective markers will be of material conforming to MIL-M43719, Type II, Class 1, and will conform to applicable detailed specification sheets.

Reflective markers will be of material conforming to Federal Specification L-S-300, Type I or II, Class 3, reflectivity 1.

(1) Stencil and paint. Paper and metal stencils are available as individual letters, numerals, and legends of various sizes, and may be located by National Stock Number under FSC 7520, Federal Supply Catalog C7510/30-IL-A. Table 2-1 lists several different size metal stencil sets.

TABLE 2-1

BRASS STENCIL OUTFIT		
1/2"	SE	7520-00-205-1760
1"	SE	7520-00-298-7043
1 1/2"	SE	7520-00-272-9680
2"	SE	7520-00-298-7044
3"	SE	7520-00-272-9683
5"	SE	7520-00-272-9684
METAL STENCIL OUTFIT		
4"	SE	7520-00-272-9684

(2) Black-pressure sensitive adhesive vinyl: Markings made of this material are available as die cut letters, numerals and legends of various sizes, and are listed in Table 2-2 through 2-4.

TABLE 2-2
LUSTERLESS BLACK PRESSURE-SENSITIVE
DECALS NSN 7690-01

LETTER	1-IN	1-1/2 IN	2-IN	3-IN	4-IN
A	030-7126	031-4660	031-9543	032-0732	032-0741
B	030-5778	031-4661	031-5335	032-0733	032-0742
C	030-5779	031-5521	031-5536	032-2428	032-0743
D	030-5780	031-5222	031-6394	032-2430	032-2434
E	030-5781	031-5523	031-9544	032-2432	032-2436
F	030-5782	031-5224	031-5537	032-0734	032-2437
G	030-5783	031-4662	031-5538	032-0735	032-0744
H	030-5784	031-4663	031-5539	032-0736	032-0745
I	030-8542	031-4664	031-5540	032-0737	032-1402
J	030-5785	031-4665	031-5541	032-0738	032-1403
K	030-5786	031-4666	031-5542	032-0739	032-1404
L	030-8543	031-4667	031-5543	032-0740	032-1405
M	030-7816	031-4668	031-5544	031-9545	032-2438
N	030-8544	031-4669	031-5545	031-9546	032-1406
O	030-8545	031-4670	031-5546	031-9547	032-3712
P	031-6395	031-5525	031-5547	031-9548	032-2439
Q	030-8546	031-5526	031-5548	031-9549	032-2441
R	030-8547	031-5527	031-5549	031-9550	032-1407
S	030-8548	031-5528	031-5550	031-9551	032-2443
T	030-8549	031-5529	031-5551	031-9552	032-2445
U	030-8550	031-5530	031-5552	031-9553	032-2447
V	030-8551	031-5531	031-5553	031-9554	032-2449
W	030-8552	031-5532	031-5554	031-9555	032-1408
X	030-8553	031-5333	031-5555	031-9556	032-2451
Y	030-8554	031-4671	031-1400	031-9557	032-4593
Z	030-8555	031-4672	032-0727	031-9558	032-4594

d. Temporary markings will be applied with a temporary paint or removable vinyl markings in accordance with instructions contained herein.

e. Unless otherwise indicated in Section VIII, markings on vehicles and equipment will be applied in contrasting lusterless black 37030 or green 383 (34094).

f. When pressure-sensitive adhesive markers are used, and gloss white markers are unavailable, lusterless white 37875 may be used on vehicles requiring gloss white.

6. DESCRIPTION OF COLORS.

a. Refer to TM 43-0139 for color requirements for specific usage's other than those shown in these instructions.

b. Vehicles assigned to Explosive Ordnance Disposal Units will have all fenders painted lusterless red 31136 on vehicles painted lusterless green 383 or forest green.

TABLE 2-3
LUSTERLESS NUMERALS -- NSN 7690-01

NUMBER	1-IN	1-1/2 IN	2-IN	3-IN	4-IN
1	030-8556	031-4673	032-0728	031-9559	032-4595
2	030-8557	031-4674	032-0729	031-9560	032-4596
3	030-8558	031-4675	032-2421	031-9561	032-4597
4	030-8559	031-4676	032-2422	031-9562	032-4598
5	030-8560	031-4677	032-1401	031-9563	032-4599
6	030-8561	031-5534	032-2423	031-9564	032-4600
7	030-8562	031-4678	032-2424	031-9565	032-4601
8	030-8563	031-4679	032-2425	031-9566	032-2452
9	030-8564	031-4680	032-0730	031-9567	032-2453
0	030-8565	031-4681	032-0731	031-9568	032-2454

TABLE 2-4
MISCELLANEOUS DECALS -- NSN 7690-01

	1-IN	1 1/2-IN	2-IN	3-IN	4-IN	6-IN
				042-0671		
MAX SPEED	032-3713	032-3715				
NO SMOKING	032-3714	032-4602	032-4604	036-4777		
US ARMY		032-4603	032-4605	032-4607	032-4609	
MIL POLICE			032-4606	032-4608		
FLAM-MABLE						047-6457*

* with white background

SECTION III. IDENTIFICATION MARKINGS

7. AGENCY IDENTIFICATION AND REGISTRATION NUMBER.

There is no further requirement to mark vehicles and equipment with the identification legend "US Army." When vehicles and equipment are camouflaged, both the "US Army" and the registration number will be removed from vehicle/equipment exterior. The preferred location of the registration number is any appropriate interior area which is visible from outside a locked or secured item.

8. NATIONAL SYMBOL.

a. The national symbol is a 5-point star in contrasting lusterless black 37030 or green 383 (34094) in a size that fits inside a 3 inch diameter circle. It will be applied to all tactical and combat vehicles and appropriate equipment in CONUS and overseas. The symbol will be applied to vehicles and equipment only when withdrawn for issue to US Army units. It will not be applied to ambulance or other medical service vehicles affected by international agreement concerning such vehicles.

b. The star will be applied to front and rear of vehicles/equipment as specified in Appendix C. On the rear of wheeled vehicles, the star may be centered on the tailgate, Figure 2.

9. UNIT IDENTIFICATION.

a. These markings will be applied to vehicles and equipment by units to which they are assigned. The markings will be maintained at all times but will be removed when the vehicle or equipment is permanently transferred.

b. The unit identification markings will normally appear on both the front and rear of each vehicle. Suitable surfaces (bumperette, tailgates, fenders, rear and front) may be used provided the unit identification marking does not conflict with the location and legibility of other markings. Where no suitable surface is available at the front or rear, the markings will be applied in an appropriate location on each side of the vehicle. If necessary, the unit identification may be applied to the vehicle mounted equipment. Refer to Figures 2 through 13.

c. CARC markings. Equipment painted with CARC with data plates shall have the word "CARC" painted in black or green contrasting color in a conspicuous area as near the data plate as possible. Painting shall be in block letters, as large as possible, not to exceed one inch. All major items having a log book shall have the Equipment Control Record, DA Form 2408-9, annotated in the lower left corner of Block 21, Remarks, to reflect the word "CARC" and the date applied.

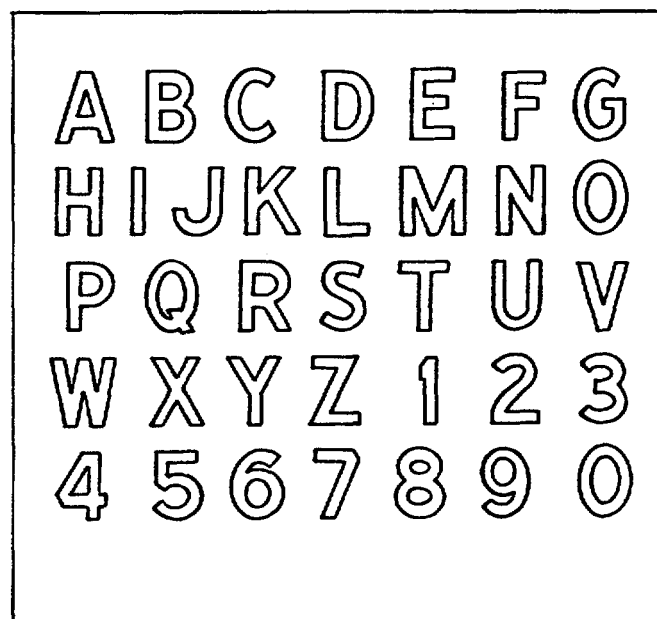


Figure 1. Gothic style alphabet and numerals.

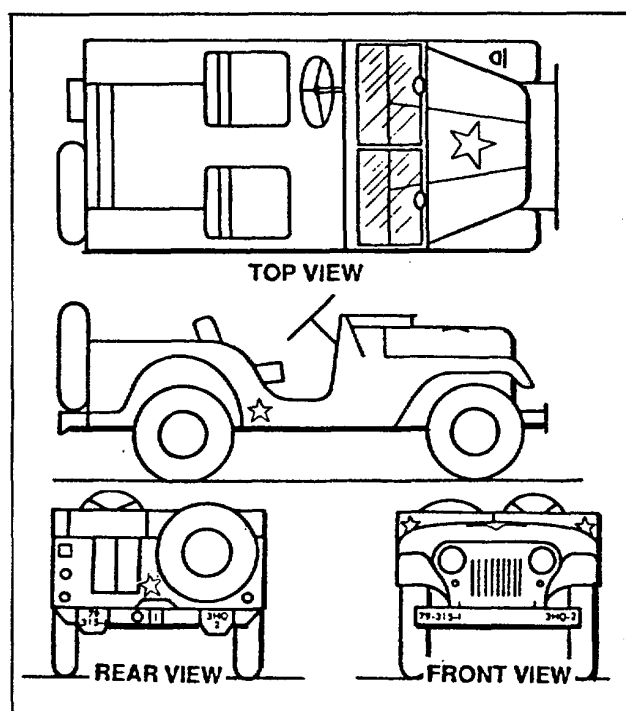
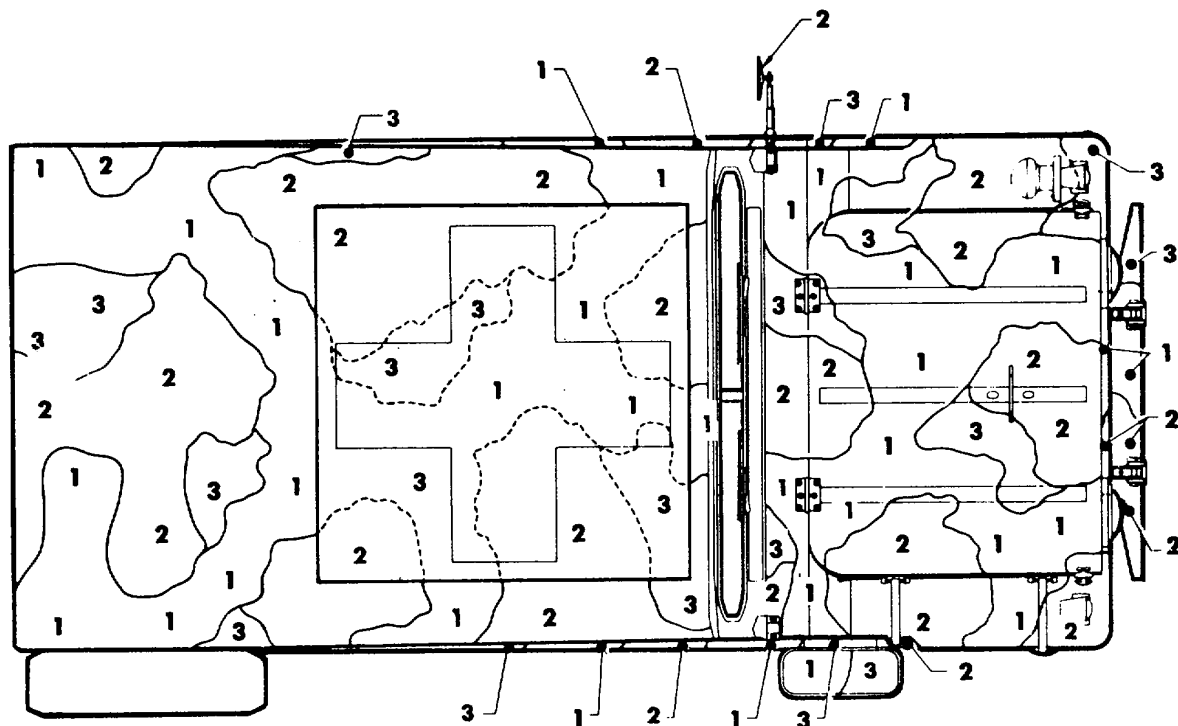
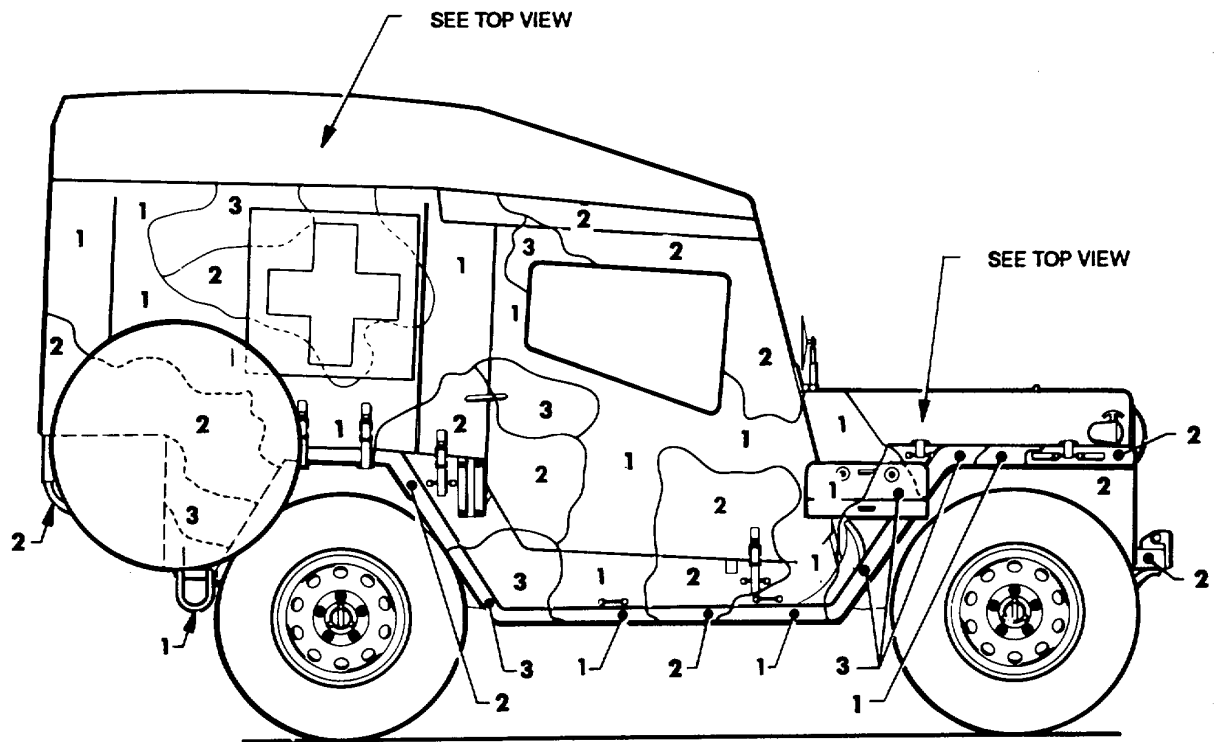


Figure 2. Marking location for 1/4-ton trucks.



TOP VIEW



M718A1

RIGHT SIDE VIEW

Figure 33. Truck, ambulance: 114-ton M718A1. (1 of 2)

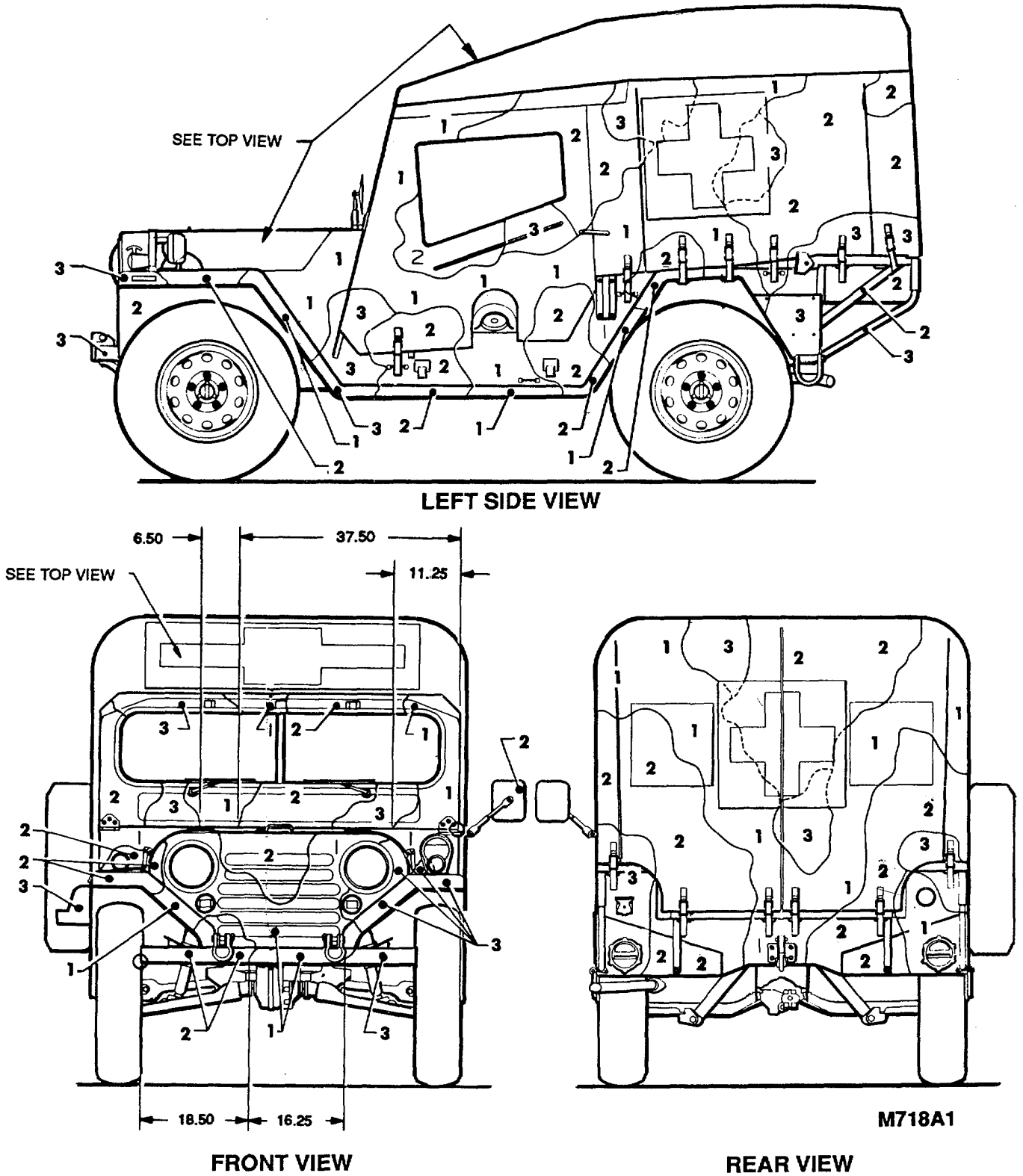


Figure 33. Truck, ambulance: 1/4-ton M718A1. (2 of 2)

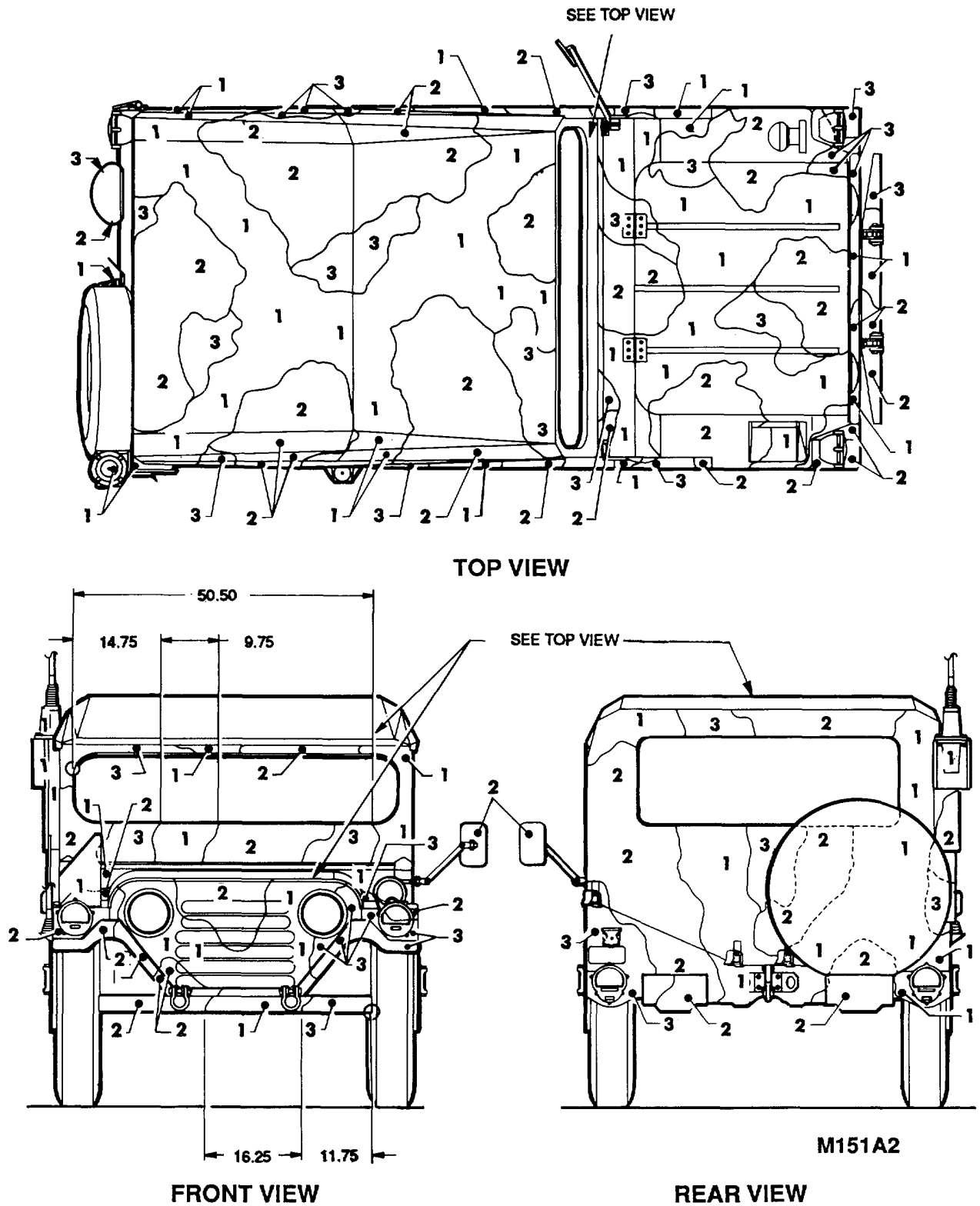
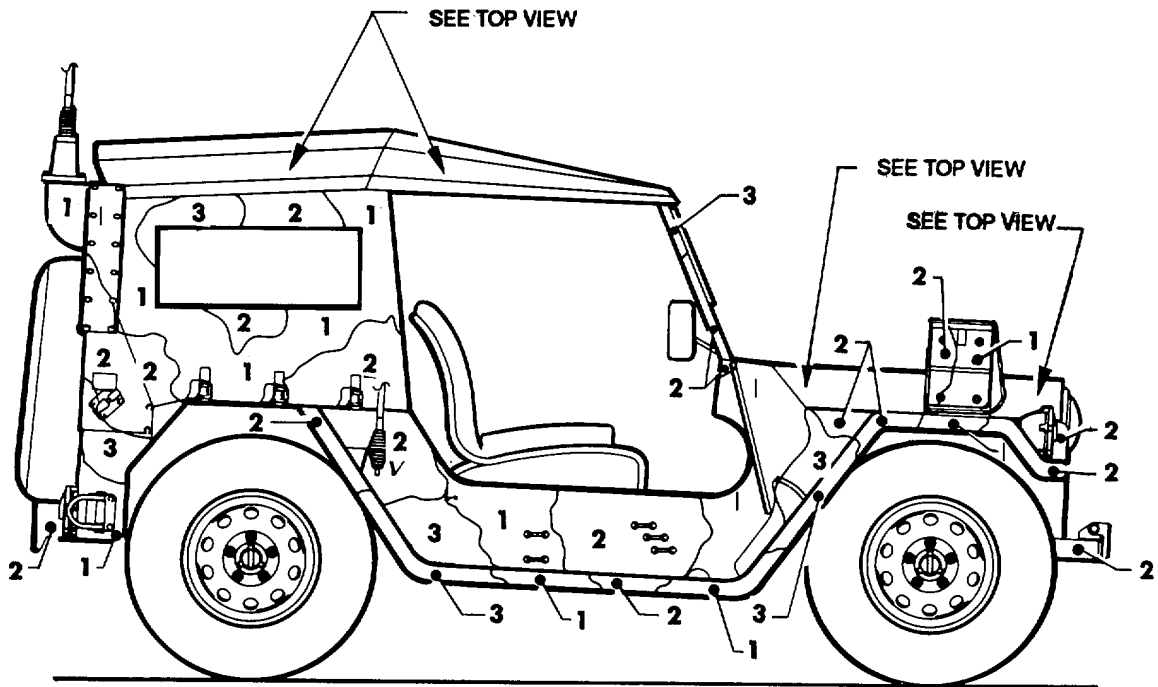
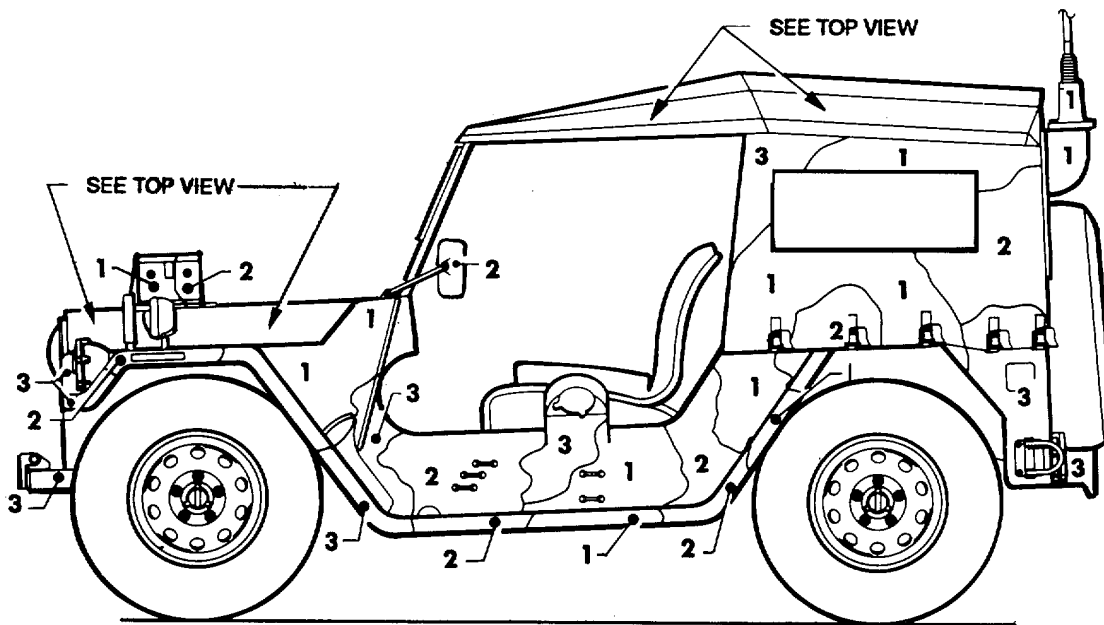


Figure 34. Truck, utility: 1-1/4-ton M151A2. (1 of 2)



RIGHT SIDE VIEW



M151A2

LEFT SIDE VIEW

Figure 34. Truck, utility: 1-1/4-ton M151A2. (2 of 2)

APPENDIX C

VEHICLE CAMOUFLAGE PATTERNS
WHEELED VEHICLES

Model No	Nomenclature	Figure No
M718A1	Truck, ambulance: 1/4-ton, M718A1	33
M151A2	Truck: utility: 1-1/4-ton, M151A2	34
M561	Vehicle, support: 1-1/4-ton M561	35
M880	Truck, Cargo: 1-1/4-ton, M880	36
	Shop equipment, contact maintenance truck mounted	37
M996	Ambulance, 2-litter, hard top, 4 x 4, M996	38
M997	Ambulance, 4-litter, hard top, 4 x 4, M997	39
M996, M1025	Truck, utility: armament carrier, armored	
M1026, w/w	1-1/4-ton, 4 x 4, M996, M1025, M1026, w/winch,	
M1044, M1045, and M1046	M1044, M1045 and M1046	40
M1035, M1038	Truck, utility: cargo/troop carrier,	
1-1/4-ton, 4 x 4, M1035, M1038		41
M1037, M1042	Truck, utility: 5250 shelter carrier,	
4 X 4, M1037, M1042		42
M1008	Truck, cargo: 1-1/4-ton, 4 x 4, M1008	43- 43a
M1009	Truck, utility :3/4-ton, 4 x 4, M1009	44- 44a
M1010	Truck, ambulance: 1-1/4-ton, 4 x 4, M1010	45- 45a
M1031	Truck, chassis: type D, 1-1/4-ton, M1031	46
M35A2, M35A2C, V18A	Truck, cargo/personnel: 6 x 6, 2-1/2-ton	47
M35A2	Truck, distribution, fuel/water: 6 X 6,	
2-1/2-ton		48
M36A2, M36A2C	Truck, cargo: 2-1/2-ton SLWB, M36A2 and	
M36A2C		49
M49A1C, M49A2C	Truck, tanker, fuel: 2-1/2-ton, wo/winch	
M49A1 C, M49A2C		50
M50, M50A2, M50A3	Truck, water distribution: 2-1/2-ton, M50 M50A2 and M50A3	51
M109A3, M185A3	Truck, shop van: 2-1/2-ton, 6 x 6, M109A3 & M185A3	52
M44, M275A2	Truck, tractor: 2-1/2-ton, M44, M275A2	53
M44, M342A2	Truck, dump: 2-1/2-ton, M44, M342A2	54
M764 w/w	Truck, maintenance, earth boring machine	
and pole setter: 2-1/2-ton, 6 x 6, M764 w/winch		55
M51A1, M51A2	Truck, dump: 5-ton, w/winch, M51A1, M51A2	56
M52A1, M52A2 and M52A2	Truck, tractor: 5-ton, w/winch, M52A1	57
M813, M131A1	Truck, cargo: 5-ton, w/winch, M8' 3 and M131A1	58
M814, M55A2	Truck, cargo: 5-ton, 6 x 6, M814 and M55A2	59
M816, M543A2	Truck, wrecker: 5-ton, M816 and M543A2	60
M817, w/w	Truck, dump: 5-ton, M817, w/winch	61
M818	Truck, tractor: 5-ton, 6 x 6, M818	62
M819, w/w	Truck, tractor wrecker: 5-ton, M819 w/winch	63
M553	Truck, wrecker: 10-ton, 4 x 4, M553	64
M820A2	Truck, van, expansible: 5-ton, M820A2	65
M920	Truck, tractor: 5-ton M920	66
M923A1, M925A1	Truck, cargo: 5-ton, M923A1 and M925A1	67

Model No	Nomenclature	Figure No
M924A1, M926A1	Truck, cargo: 5-ton M924A1 and M926A1	68
M927A1, M928A1 and M928A1	Truck, cargo: 5-ton, XLWB, M927A1	69
M929A1, M930A1	Truck, dump: 5-ton, M929A1, M930A1	70
M931A1, M932A1	Truck, tractor: 5-ton, M931A1, M932A1	71
M934A1, M935A1	Truck, Van, expansible: 5-ton, M934A1, and M935A1	72
M936/A1	Truck, wrecker: 5-ton, M936A1	73
M520, M877 w/w M559	Truck, cargo: 8-ton, 4x4, M520, M877 w/winch Truck, tank: fuel servicing, 2500 gallon, 4X4, M559	74 75
M123A2C, wo/w M911	Truck, tractor: 10-ton, M123A2C, wo/winch Truck, tractor: 1 0-ton, M911	76 77
M1001	Truck, tractor: 10-ton, M1001	78
M1002	Truck, wrecker: 10-ton, M1002	79
M977, M985E1	Truck, cargo: 11-ton, M977 and M985E1	80
M978	Truck, tanker: 11-ton, M978	81
M983	Truck, tractor: 11-ton, M983	82
M983 w/crane	Truck, tractor, w/crane: 11-ton M983	83
M984	Truck, recovery: 11-ton, 984	84
M984E1	Truck, wrecker: 11-ton, M984E1	85
M977, M985	Truck, cargo: 11-ton, M977 and M985	86
M915A1	Truck, tractor: 22-1/2-ton linehaul, M915A1	87
M917	Truck, dump: 20-ton, M917	88
M919	Truck, concrete: mobile M919	89
TANKS, CARRIER PERSONNELS AND SELF-PROPELLED WEAPONS		
M1/M1	Tanks, combat, Full Tracked: 105mm gun, M1/M1 chassis	90
M1A1	Tank, combat, Full Tracked: 120mm gun, M1A1	91
M2/M2A1 ,M3/M3A1	Fighting vehicle, infantry M2/M2P 1, calvary M3/M3A1	92
1PM1	Tank, combat, Full Tracked: 105-mm gun, 1PM1	93
M8A3/M9	Blade, bulldozer, earthmoving: M8A3/M9	94
M48A5	Tank, combat, Full Tracked: 105mm gun,M48A5	95
M48A5	Launcher and M48A5 tank chassis, transporting: for bridge, armored-vehicle-launched scissoring type, class 60	96
M54A2E1	Launcher, platform, M54A2E1	97
M60A1	Launcher and M60A1 chassis, transporting: for bridge armored-vehicle-launched scissoring type, class 60	98
M270	Self-propelled Loader/Launcher M270	99
M688, M752	Self-propelled Launcher (SPL) M752, Loader-transporter (LT) M688	100
M60A1	Tank, combat, Full Tracked: 105-mm M60A1	101
M60A3	Tank, combat, Full Tracked: 105-mm gun, M60A3	102

Model No	Nomenclature	Figure No
M60A3	Tank, mine-clearing: robot-line-charge, roller and clams, M60A3	103
M60ATTS	Tank, combat, Full Tracked: 105-mm gun, M60ATTS	104
M88A1	Tank, recovery vehicle, Full Tracked: medium, M88A1	105
M109A2	Howitzer medium, self-propelled: 155-mm, M109A2.	106
M110A2.	Howitzer, self-propelled: 8 inch M110A2	107
M113A3	Carrier, personnel: M113A3	108
M113A2	Carrier, personnel, Full Tracked, armored: M113A2	109
M981	Carrier, Personnel, fire support, M981	110
M548	Carrier, cargo, Full Tracked: M548	111
M551A1	Armored, reconnaissance/airborne vehicles Full Tracked M551A1	112
M577A2	Carrier, command post, Full Tracked, armored, M577A2	113
M578	Recovery vehicle, armored: M578	114
M728	Tank, combat, engineers vehicle, Full Tracked, M728	115
M730A1 E1	Carrier, guided missile equipment M730A1 E1	116
M901 A1	APC, improved tow vehicle, M901A1	117
M973	Carrier, cargo, tracked, 1-1/2-ton, M973	118
M992	Carrier ammunition, tracked: M992	119
M1015	Carrier: electronic warfare, tracked: M1015	120
M1059	Carrier, smoke generator M1059	121

TRAILERS

M101A1	Trailer, cargo: 3/4-ton, 2-wheel, M101A1	122
M105A2	Trailer, cargo: 1-1/4-ton, two wheel, M105A2	123
M107A2	Trailer, tank: water, 1-1/4-ton, two wheel, M107A2	124
M149A2	Trailer, tank: water, 400-gallon, 1-1/2-ton, 2-wheel, M 149A2	125
M310	Trailer, cable reel: M310	126
M332	Trailer, ammunition: 1-1/2-ton, 2-wheel M332	127
M345	Trailer, flatbed: 1 0-ton, M345	128
M416	Trailer, cargo, 1/4-ton, 2-wheel, general purpose, M416	129
M796	Trailer, bolster: 4-ton, 4-wheel, general purpose, M796	130
M989	Trailer, ammunition: 11-ton, heavy, expanded mobility, M989	131
MILVAN	Container, cargo: general, MILVA 1	132
M119A1	Semitrailer, van: cargo, 6-ton, 2-wheel M119A1	133
M127A2C	Semitrailer, van: cargo, 12-ton, 4-wheel M127A2C	134

Model No	Nomenclature	Figure No
M146	Semitrailer, van: shop, 6-ton, 2-wheel M146	135
M313	Semitrailer, van: expansible, 6-ton, 4-wheel M313	136
M348A2	Semitrailer, van: composite, 6-ton, 2-wheel, M348A2	137
M447, M447C and M749	Semitrailer, van: expansible, 6-ton, 4-wheel M447, M447C, M749	138
M129A2C	Semitrailer, van: supply, 12-ton, 4-wheel M129A2C	139
M131A5C	Semitrailer, tanker: fuel servicing, 5000- gallon, 4-wheel, M131A5C	140
M1062	Semitrailer, tanker: 7500 gallon, MI 062	141
M750	Semitrailer van: expansible parts storage, 6-ton, 4-wheel, M750	142
M871	Semitrailer, van,: flatbed, breakbulk container transporter, 22-1/2-ton M871	143
M870A1	Semitrailer, low bed: 22-1/2-ton, 6-wheel, M870A1	144
M172A1	Semitrailer, low bed: 25-ton, 4-wheel, M172A1	145
M872A3	Semitrailer, linehaul, breakbulk/container, 34-ton, M872A3	146
M747	Semitrailer, low-bed: heavy equipment transporter, 60-ton, M747	147
M967A1, M969A1 M970A1	Semitrailer,tank: 5000-gallon, 4-wheel, M967A1, M969A1, and M970A1	148
M1032, also M373A2C	Semitrailer, van: small repair parts transporter, M1032 (also M373AC)	149
M971 EI, M822E1 M991E2, M995E2	Semitrailer, van: basic, 10-ton, 4-.vheel, M971 EI, M822E1, M991 E2 and .:995E2	150
M098	Air compressor: 250-CFM	151
R050	Crane, truck: 7-1/2-ton, R050	152
RT41AA	Crane, self-propelled: aircraft maintenance and positioning RT41AA	153
613B	Distributor, water, self-propelled 2500 gallon minimum, 613B	154
130G, 130GS	Roadgrader, heavy, 130G and 130GS	155
JD-140	Tractor, wheeled DED, w/backhoe, w/front loader JD-140	156
JD550	Tractor, Full Tracked, low speed DED air dropable and helicopter transportable, JD550	157
D5B	Tractor, Full Tracked, low speed, DED, sectionalized and nonsectionalized,D5B	158
D7G (T-9)	Tractor, Full Tracked, low speed DED, medium drawbar pull, T-9 D7G	159
621B	Scraper, open bowl, self-propelle, , 621B	160
M9	Earthmover, armored, combat, h1	161
FLU 419	419 Small emplacement excavat, r, FLU 419	162
MW24C (M064)	Scoop loader, 2-12 CY, M064, M', V24C	163
950BS, 950BSN	Scoop loader, 950BS and 950Bns	164

Model No	Nomenclature	Figure No
AN/TPQ-37	Trailer Chassis: antenna transceiver group	
ANITPQ-37		165
M499	Ramp, M499	166
M536	Laundry, Unit, M536	167
875CC	Crane, container: rough terrain 875CC	168
	Crane, truck, 140-ton	169
M4K	Truck, forklift, DED, pneumatic tire articulated frame steer, 4,000 lb capacity rough terrain M4K	170
6K,M489	Truck, forklift, 6K cap, variable reach, rough terrain M489	171
M10,M488	Loader, F/L DED RT, M10, M488	172
M412	Loader, RT container handler M412	173